

Broil King®

ASSEMBLY MANUAL & PARTS LIST - MANUEL DE MONTAGE & LISTE DE PIÈCES



Broil King.

CROWN 310

8640-54

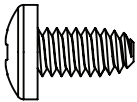
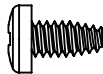

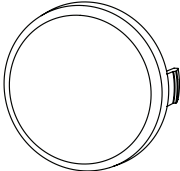
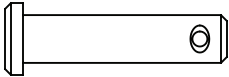
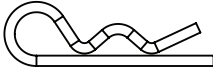
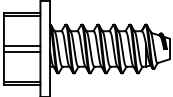
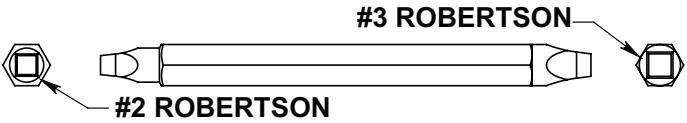

RETAIN FOR FUTURE REFERENCE - VEUILLEZ CONSERVER POUR REFERENCE ULTERIEURE

Onward
SINCE 1906
MANUFACTURING COMPANY
585 KUMPF DRIVE LIMITED
WATERLOO, ONTARIO, CANADA
N2V 1K3

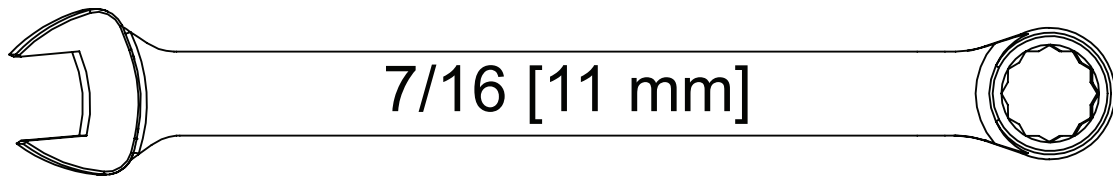
info@omcbbq.com
1-800-265-2150

50084-R61 REV C 12/22

HARDWARE INCLUDED / MATERIAL INCLUS / EQUIPOS INCLUIDO

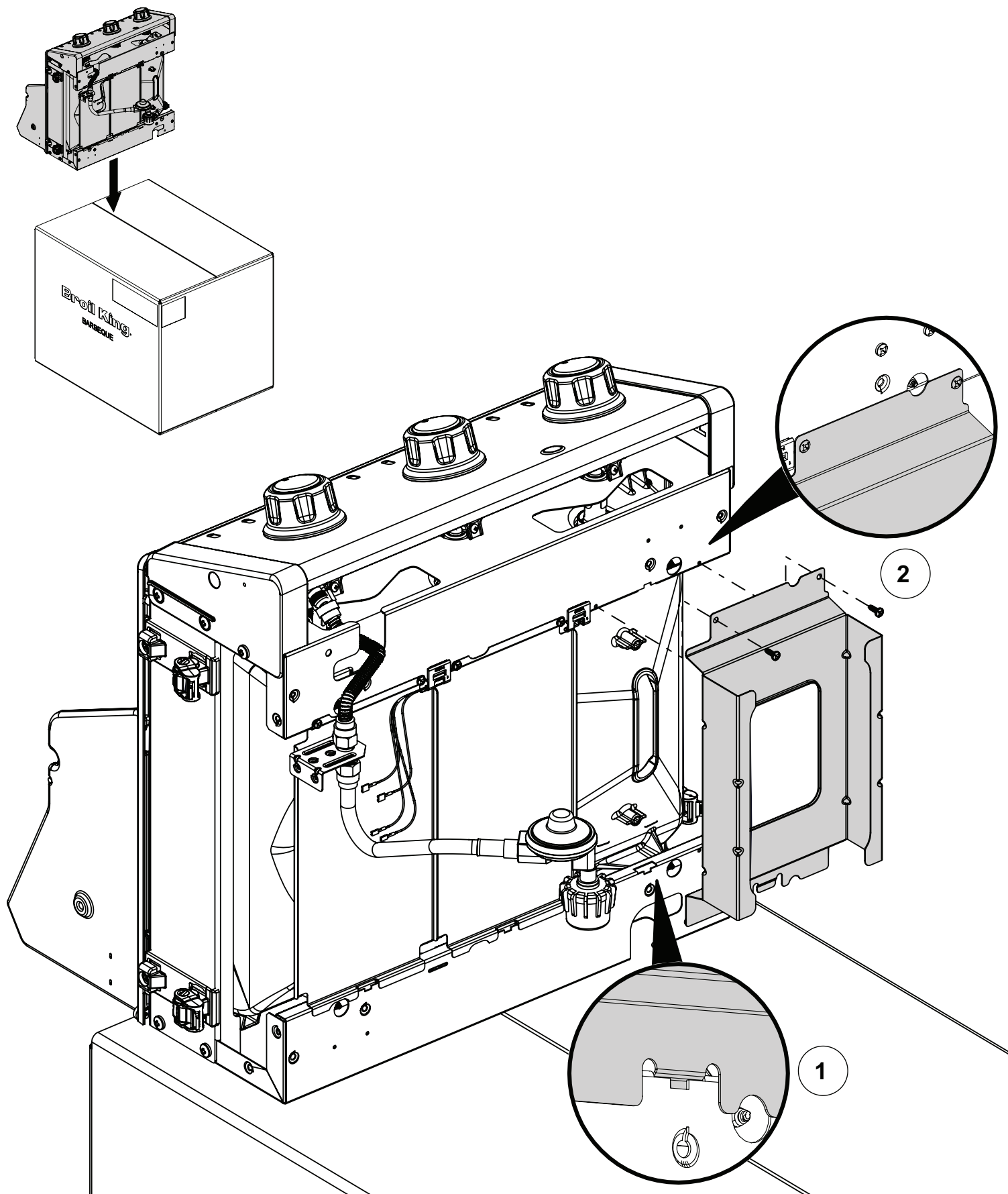
| | | | | | |
|-----------|---|-----|--|---|-----|
| Y-12865 |  | (8) | Y-29304 |  | (6) |
| S21125 |  | (2) | 32001-151 |  | (4) |
| S21235 |  | (2) | S21233 |  | (2) |
| S21084 |  | (8) |  <p>#3 ROBERTSON</p> <p>#2 ROBERTSON</p> | | |
| 20005-000 |  | | | | (1) |

TOOLS REQUIRED / OUTILS NECESSAIRES / HERRAMIENTAS NECESARIAS

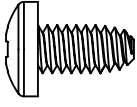


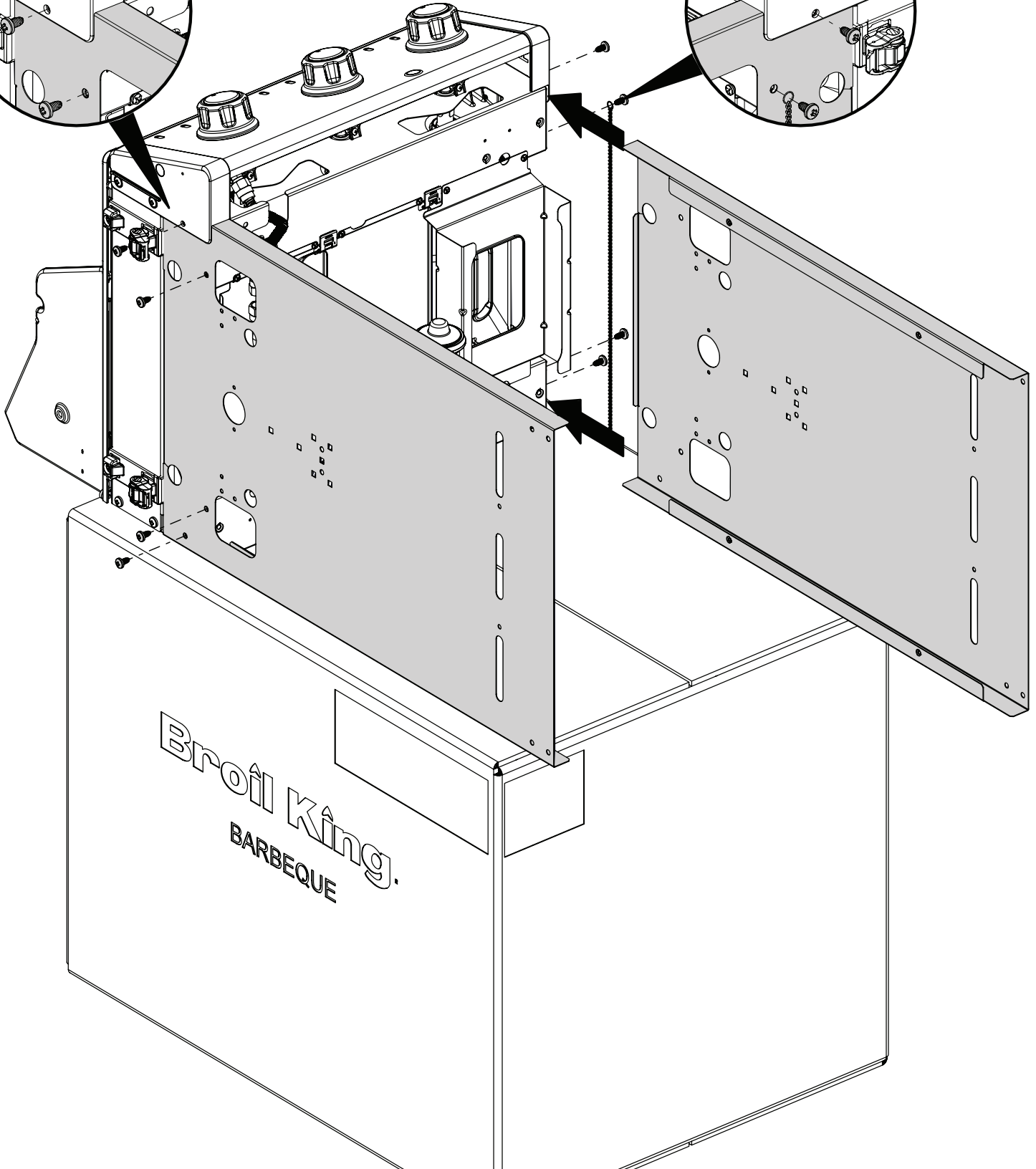
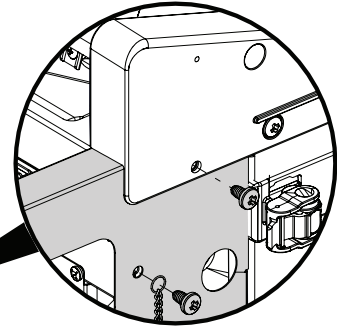
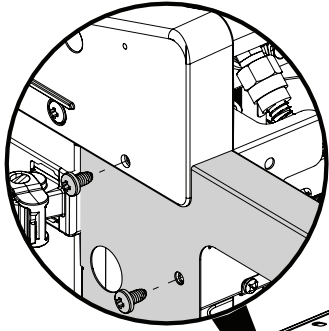
1

(2) 

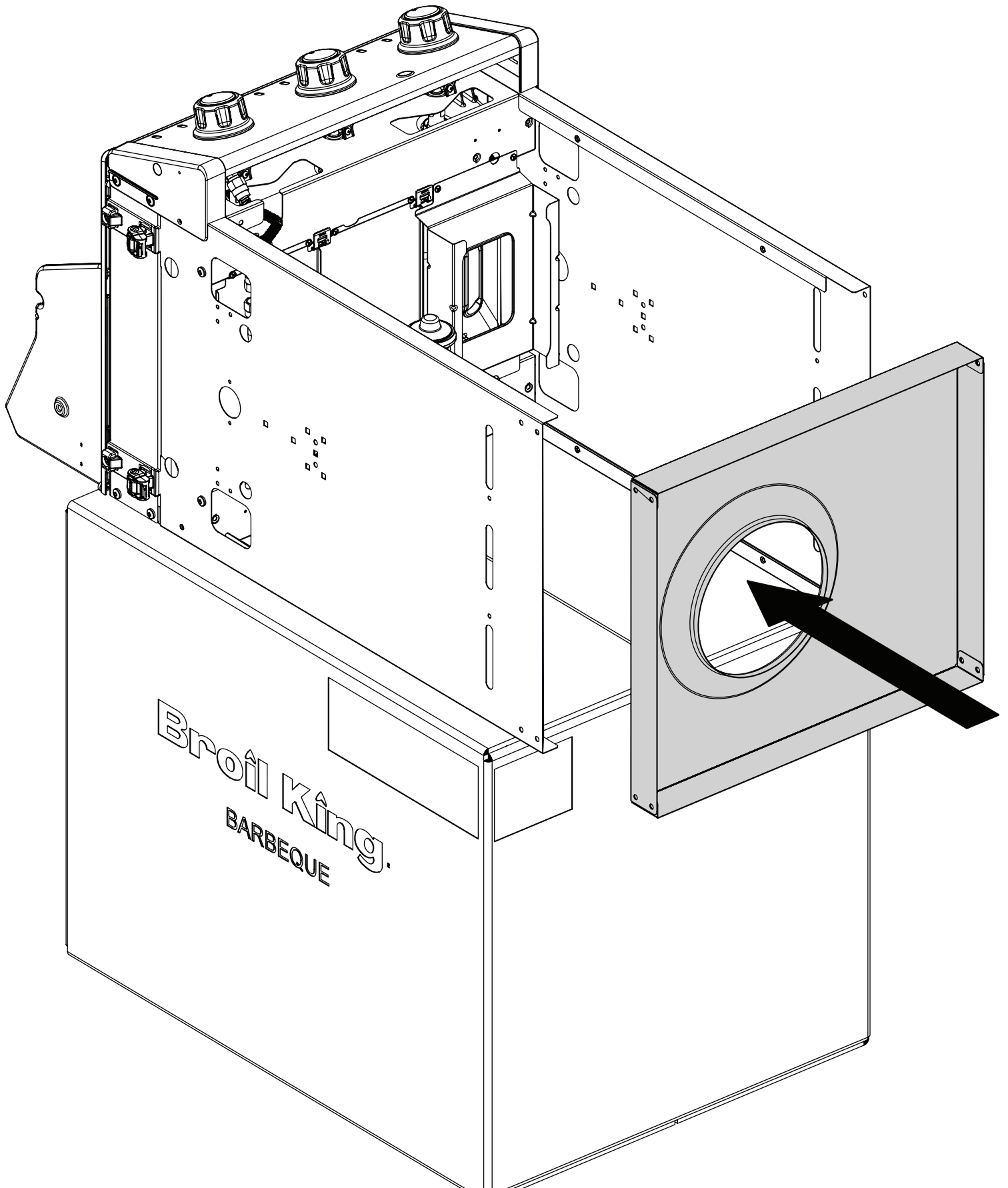


2

(8)  (1)

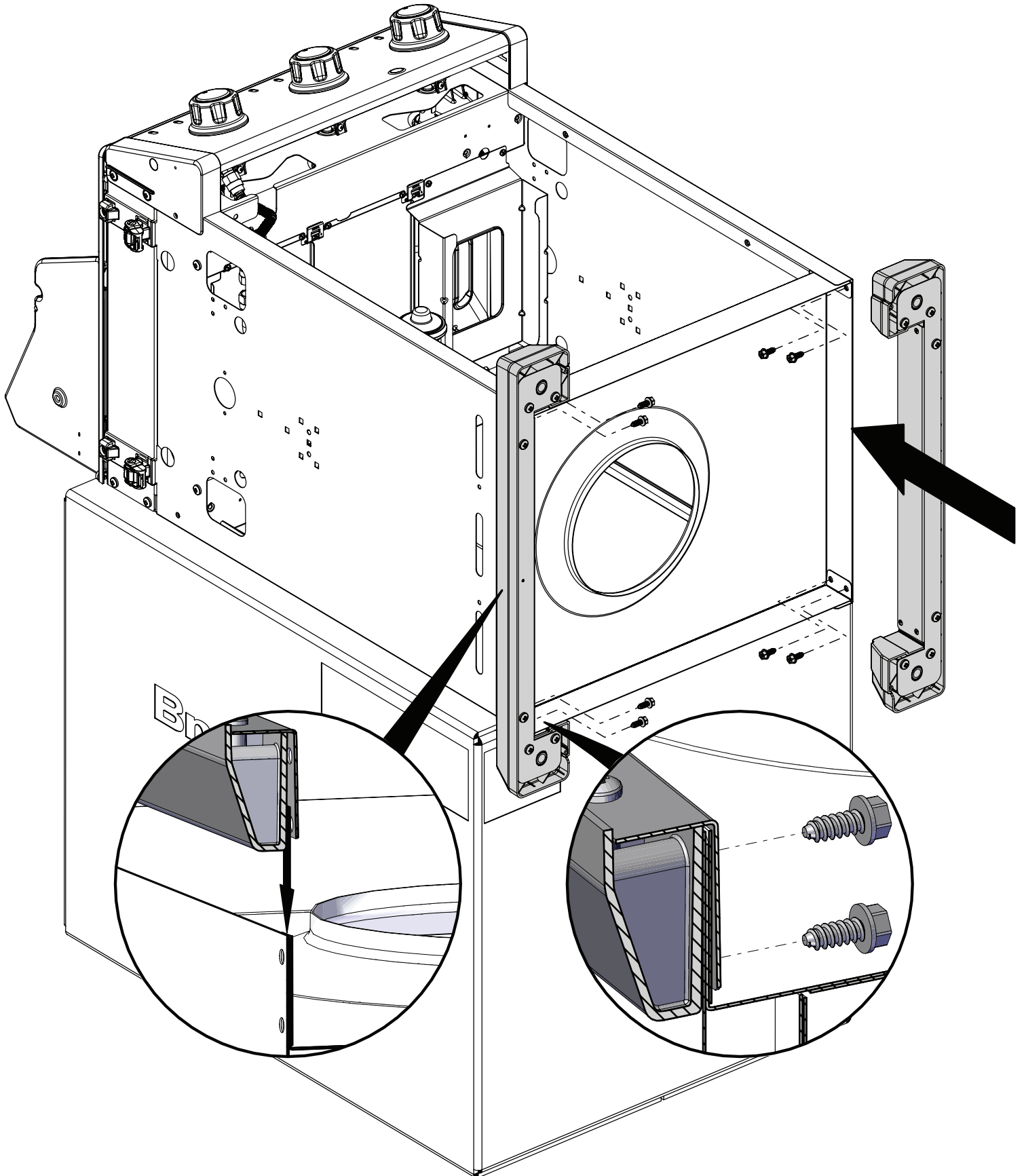
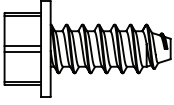


3

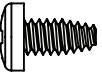


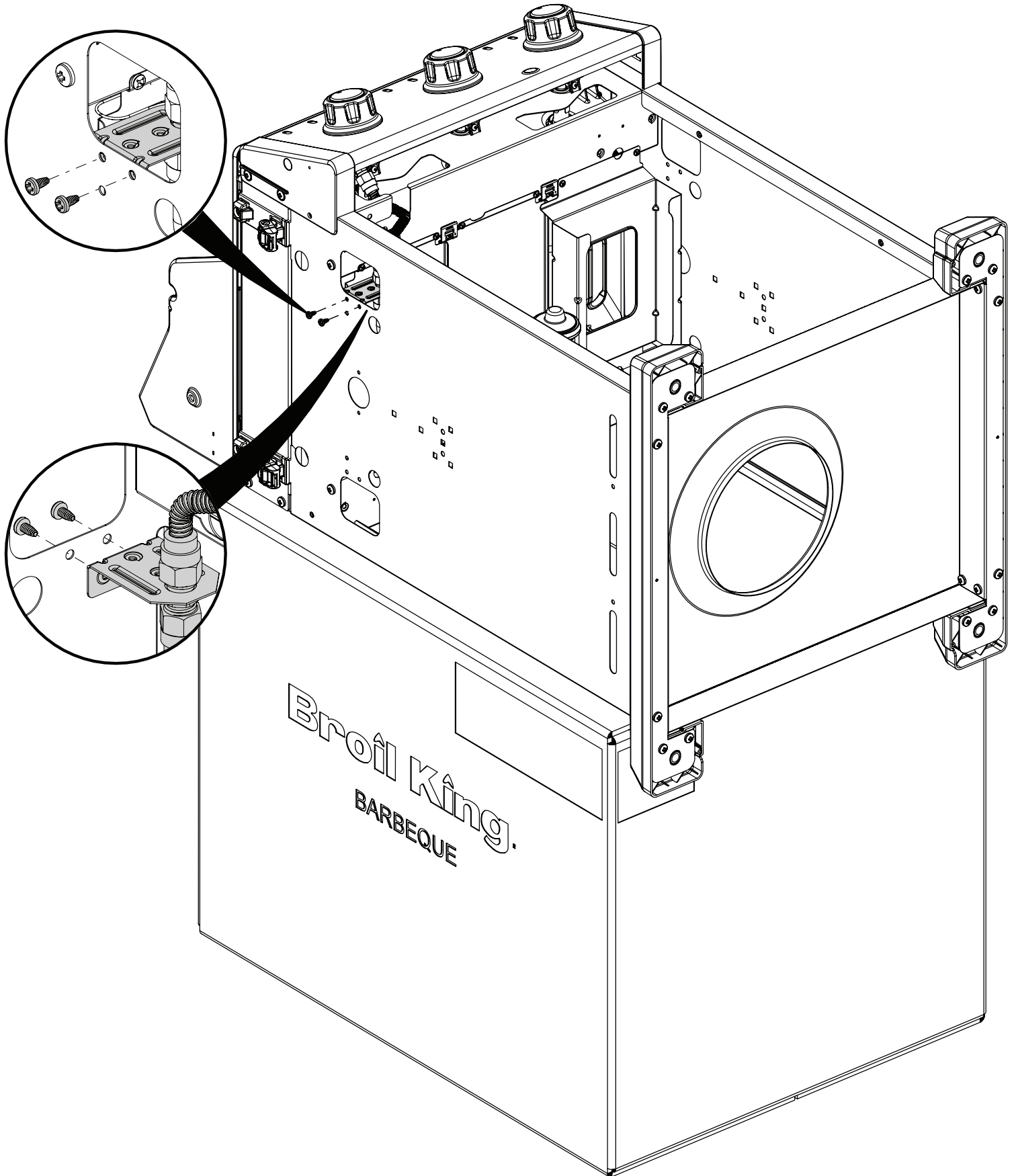
4

(8)

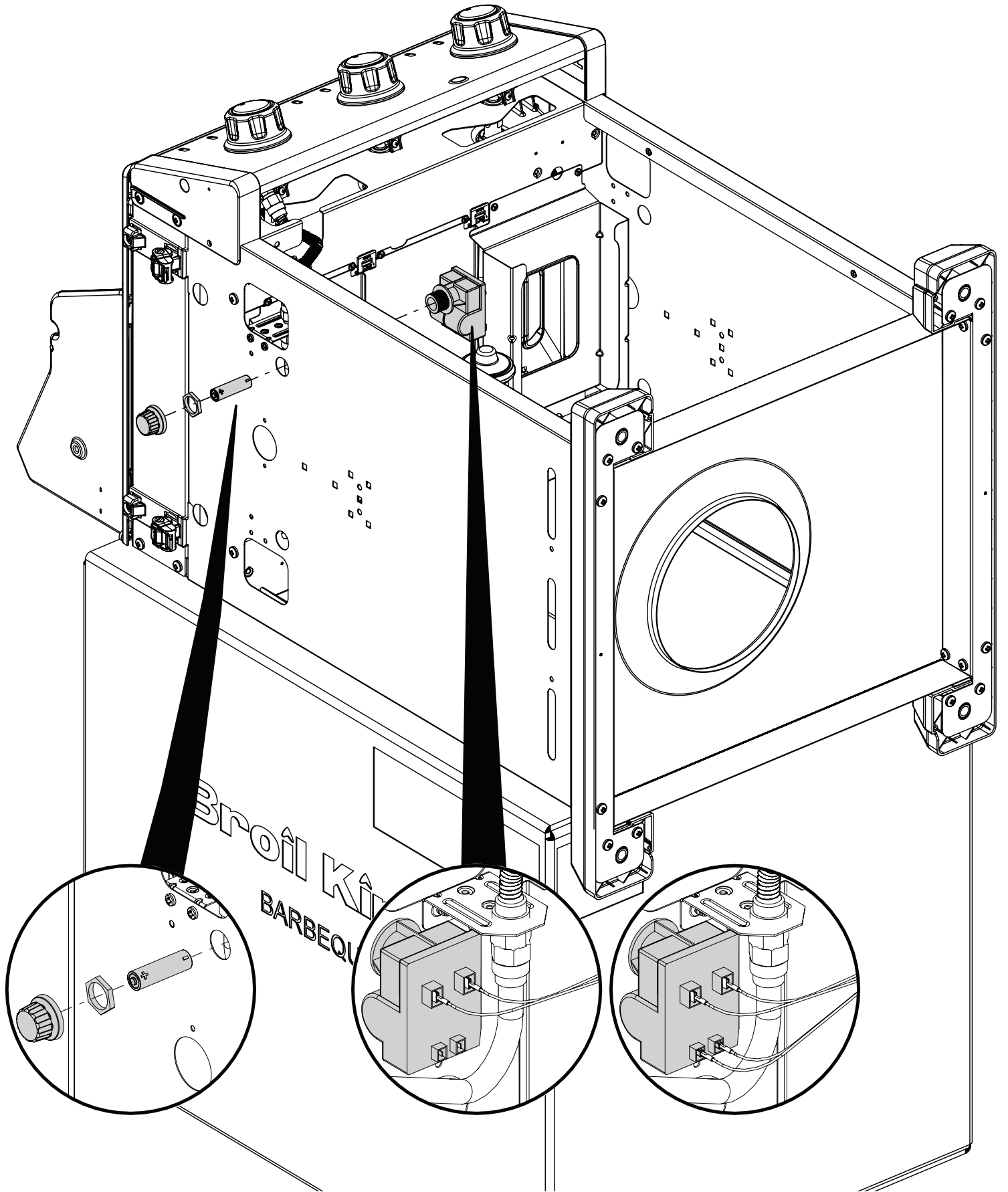


5

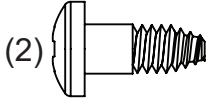
(2) 



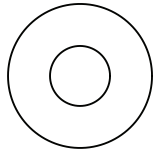
6



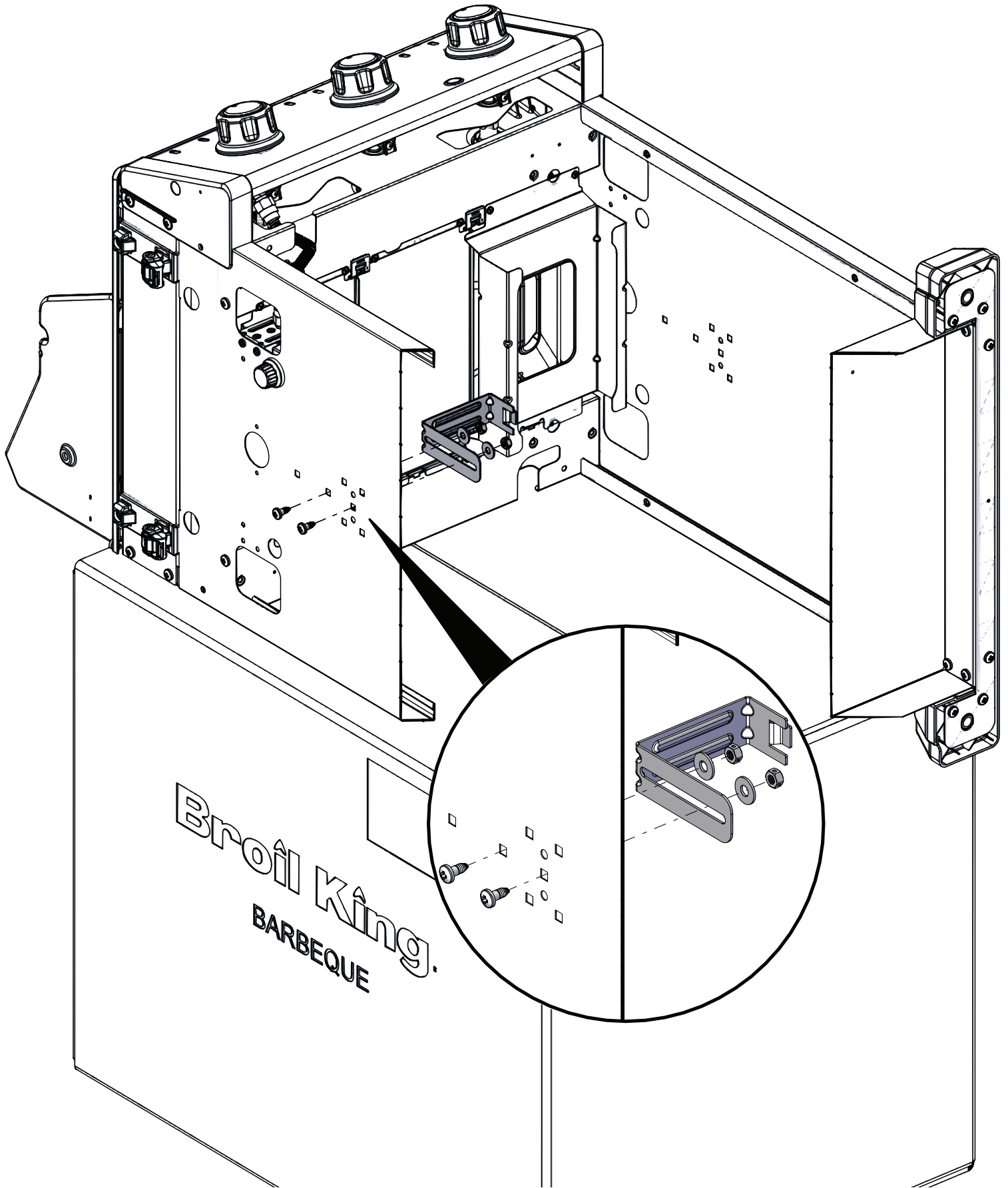
7



(2)

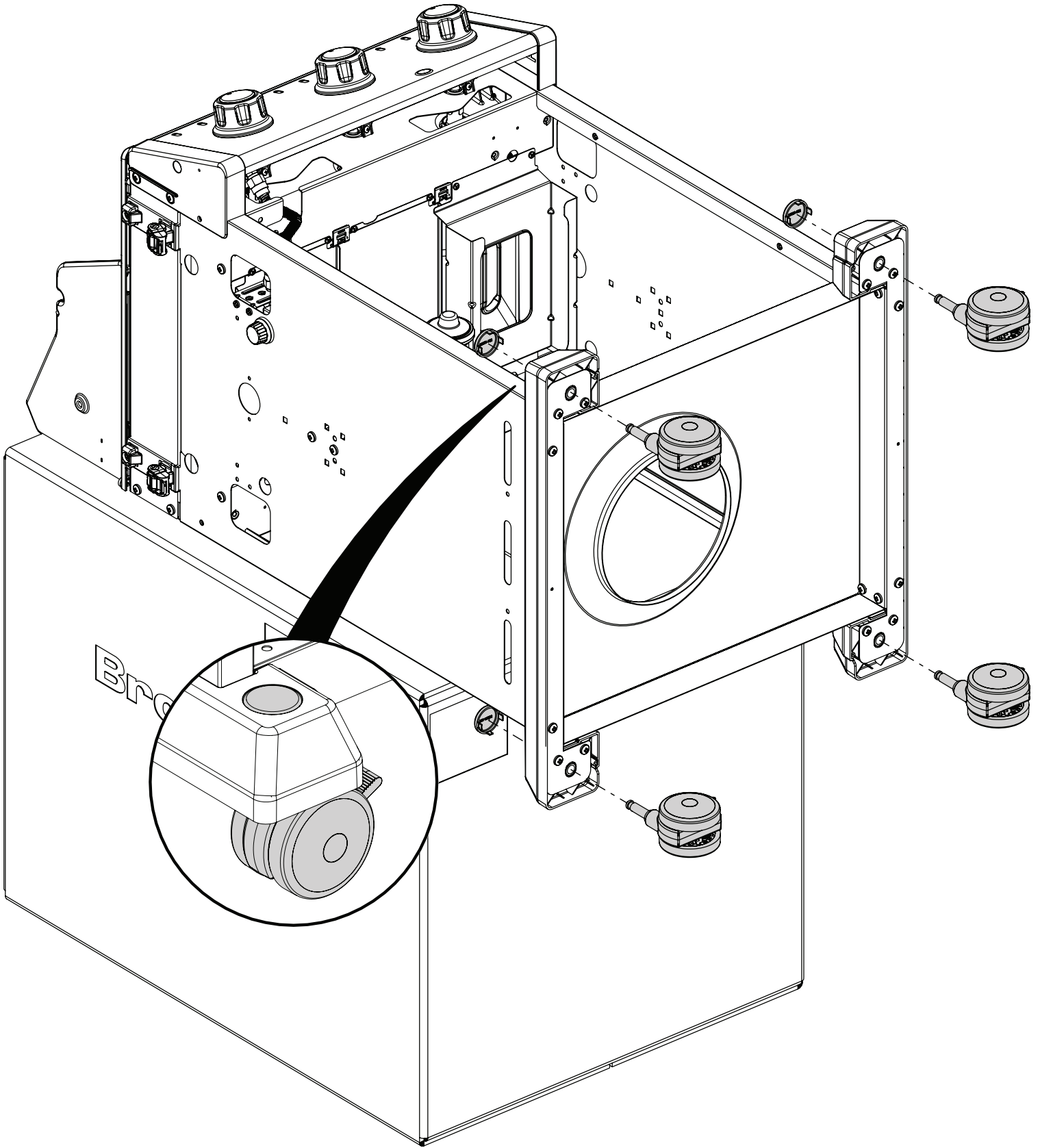
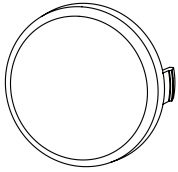


(2)

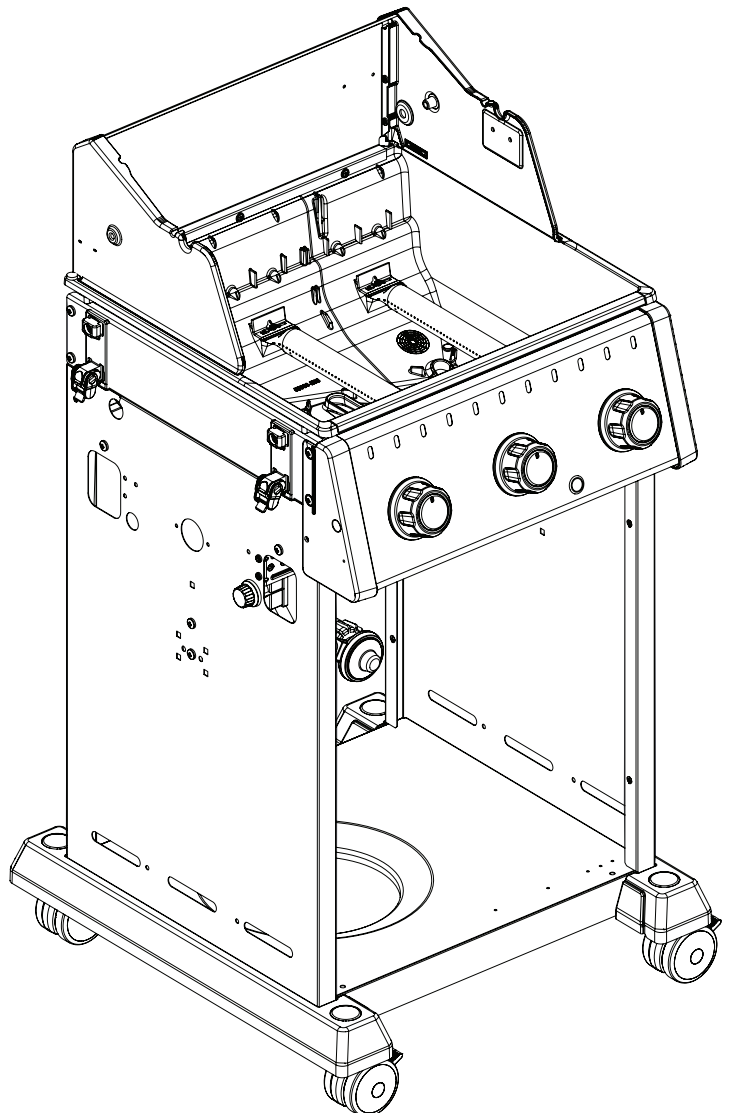
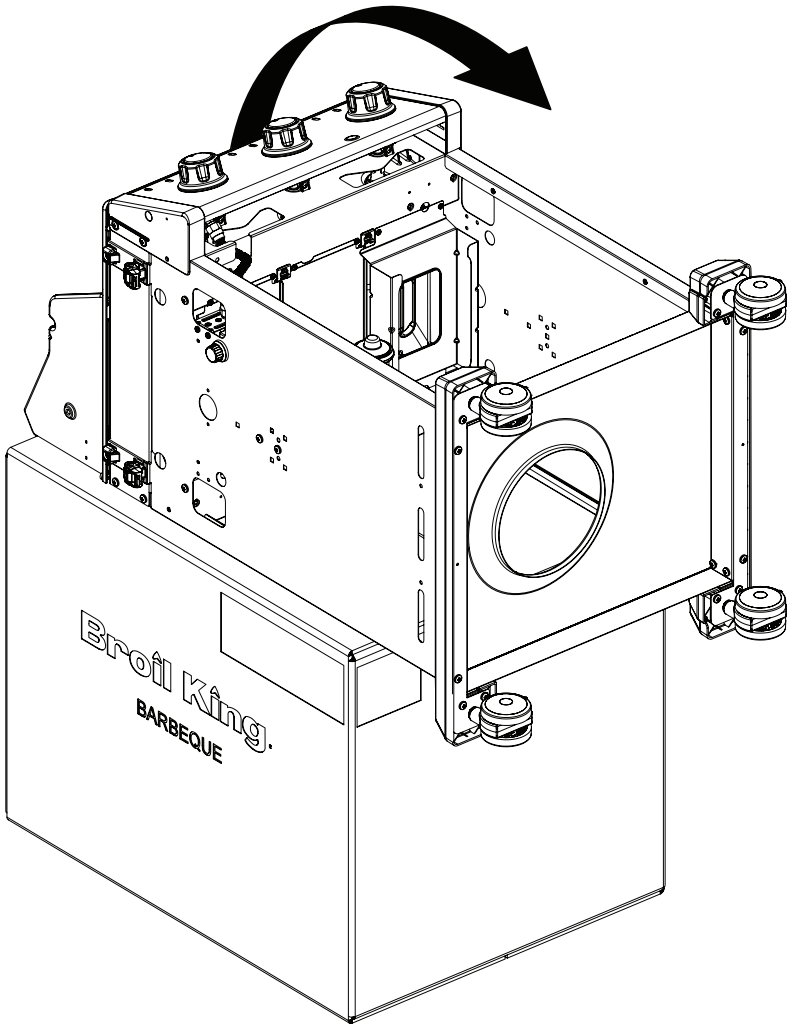


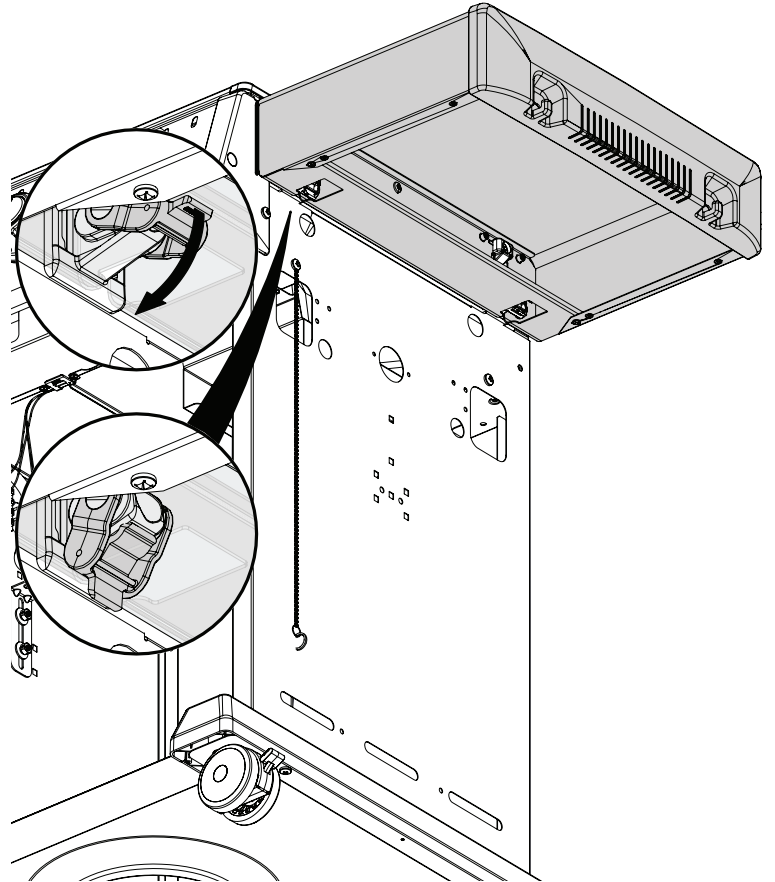
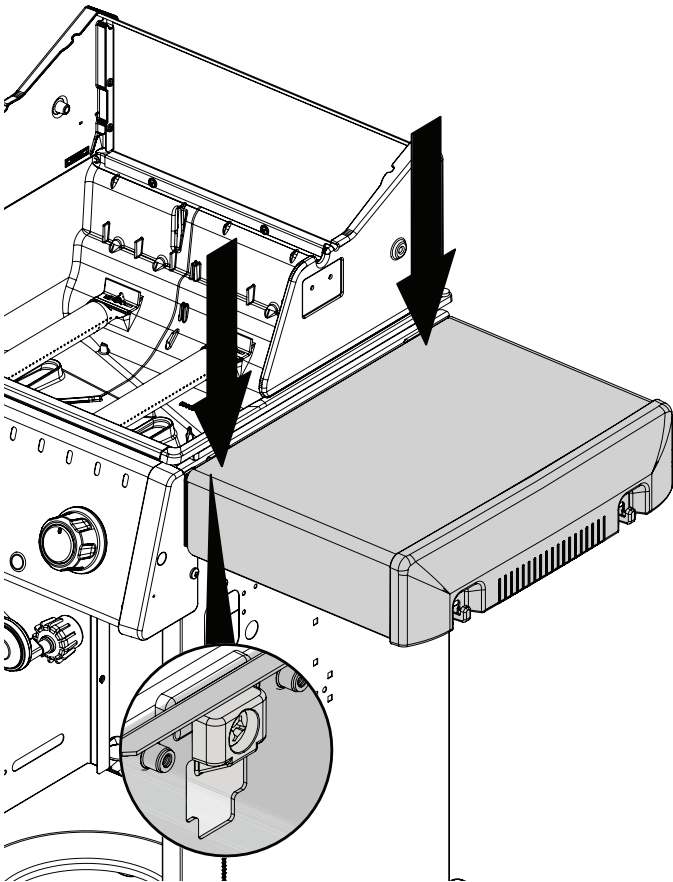
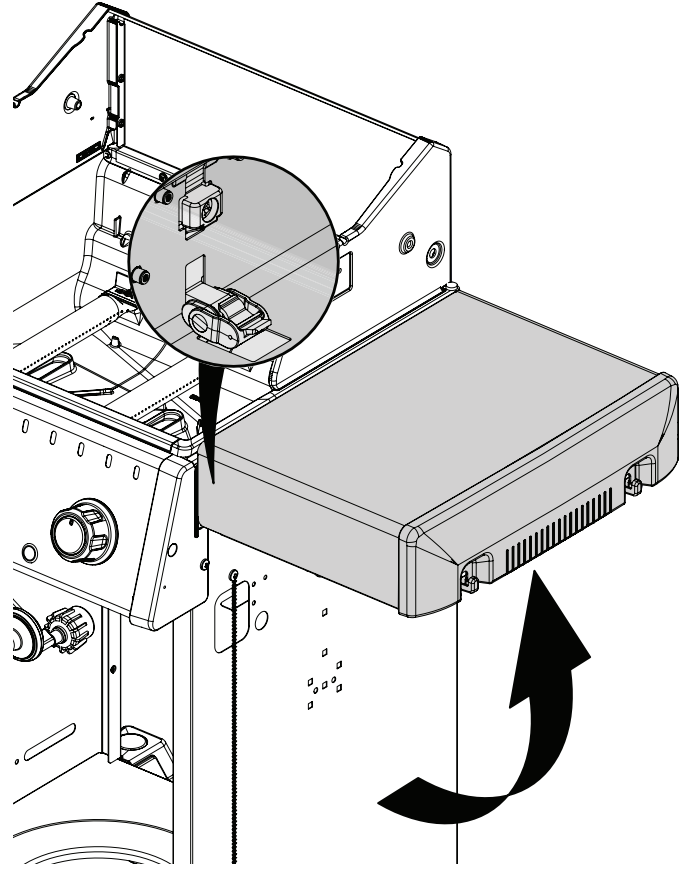
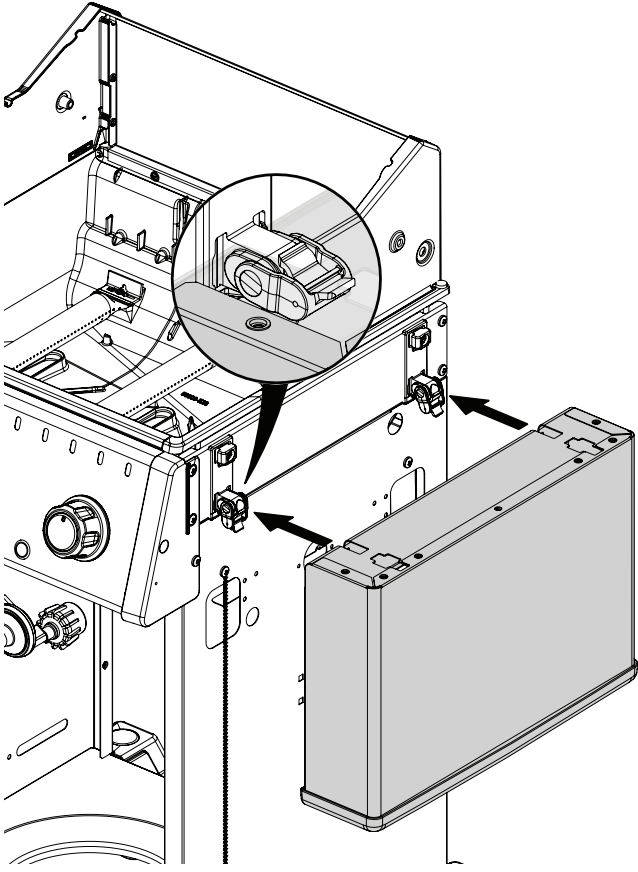
8

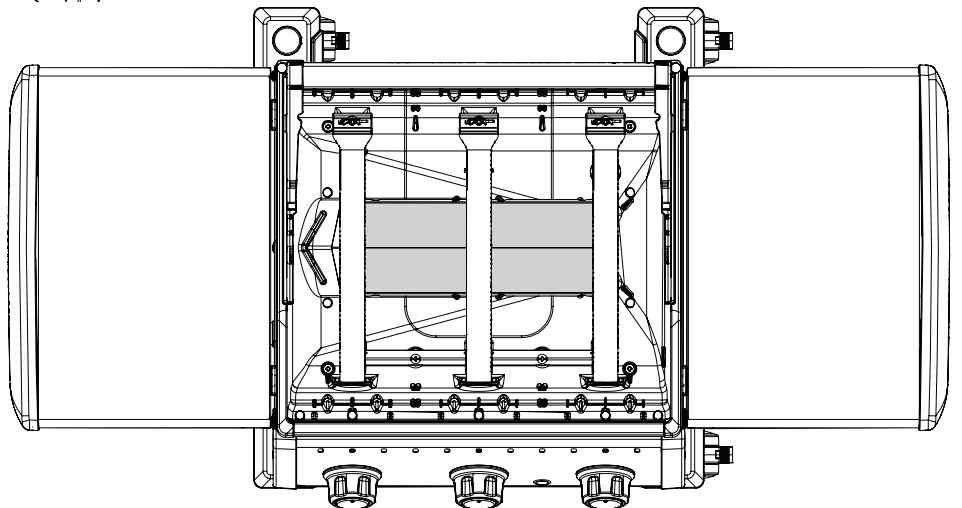
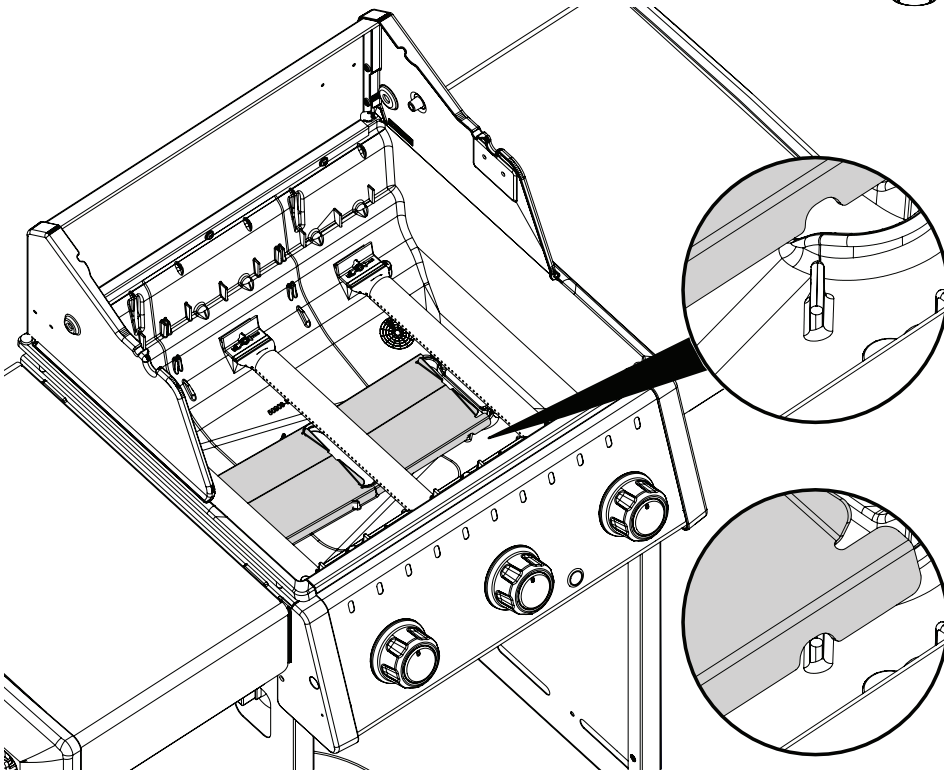
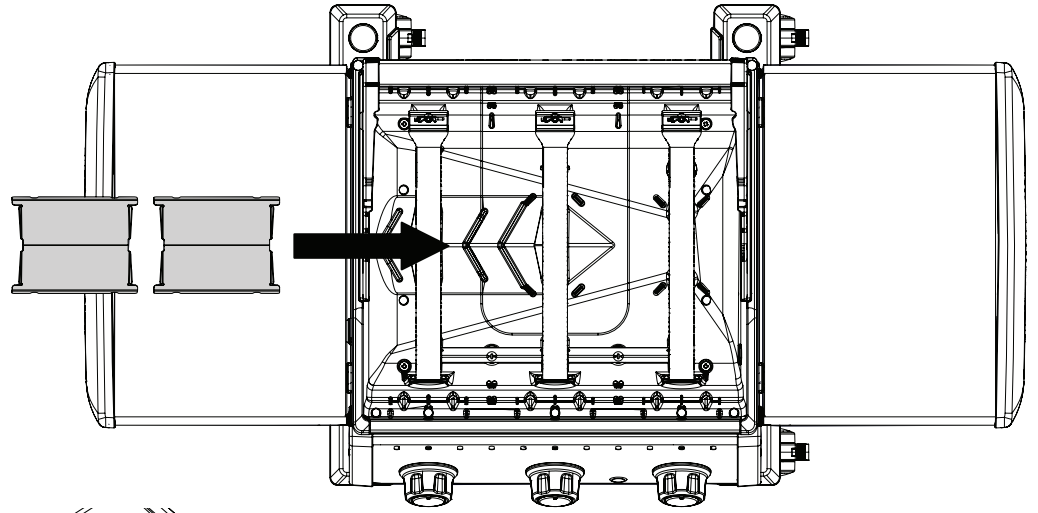
(4)



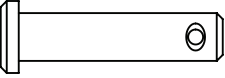
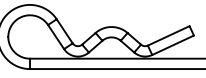
9

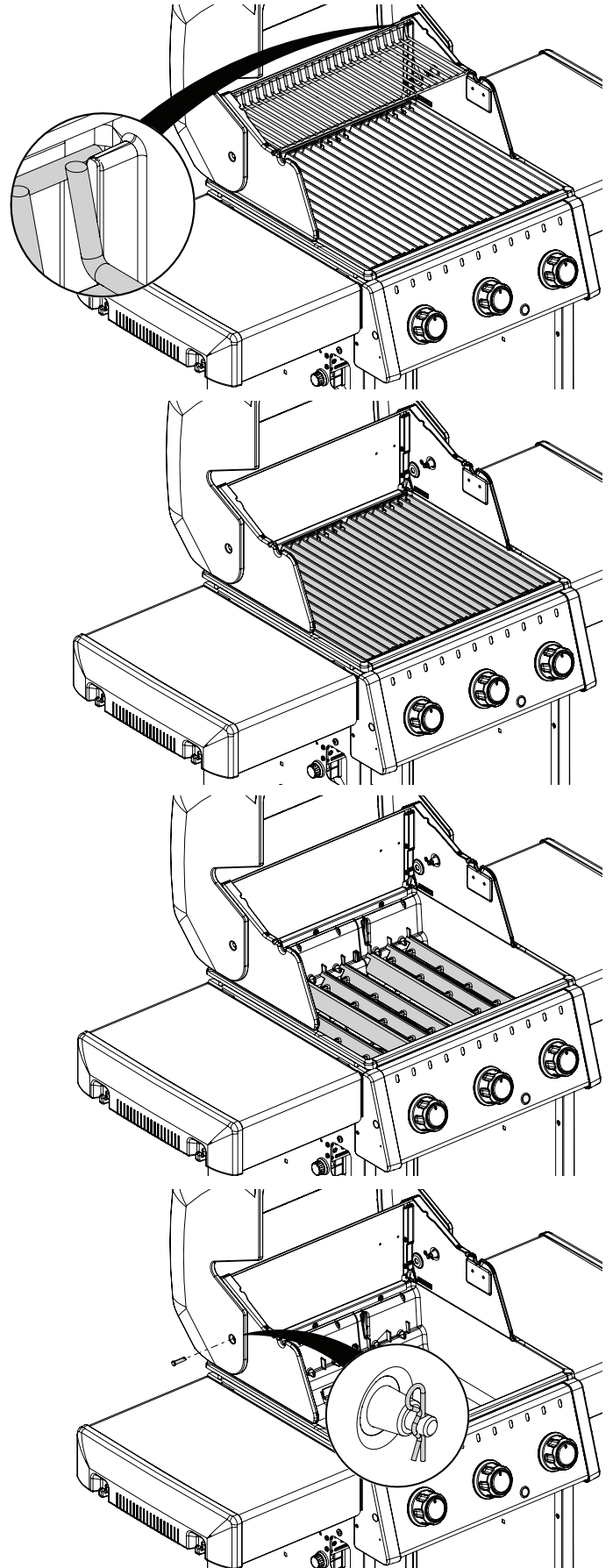
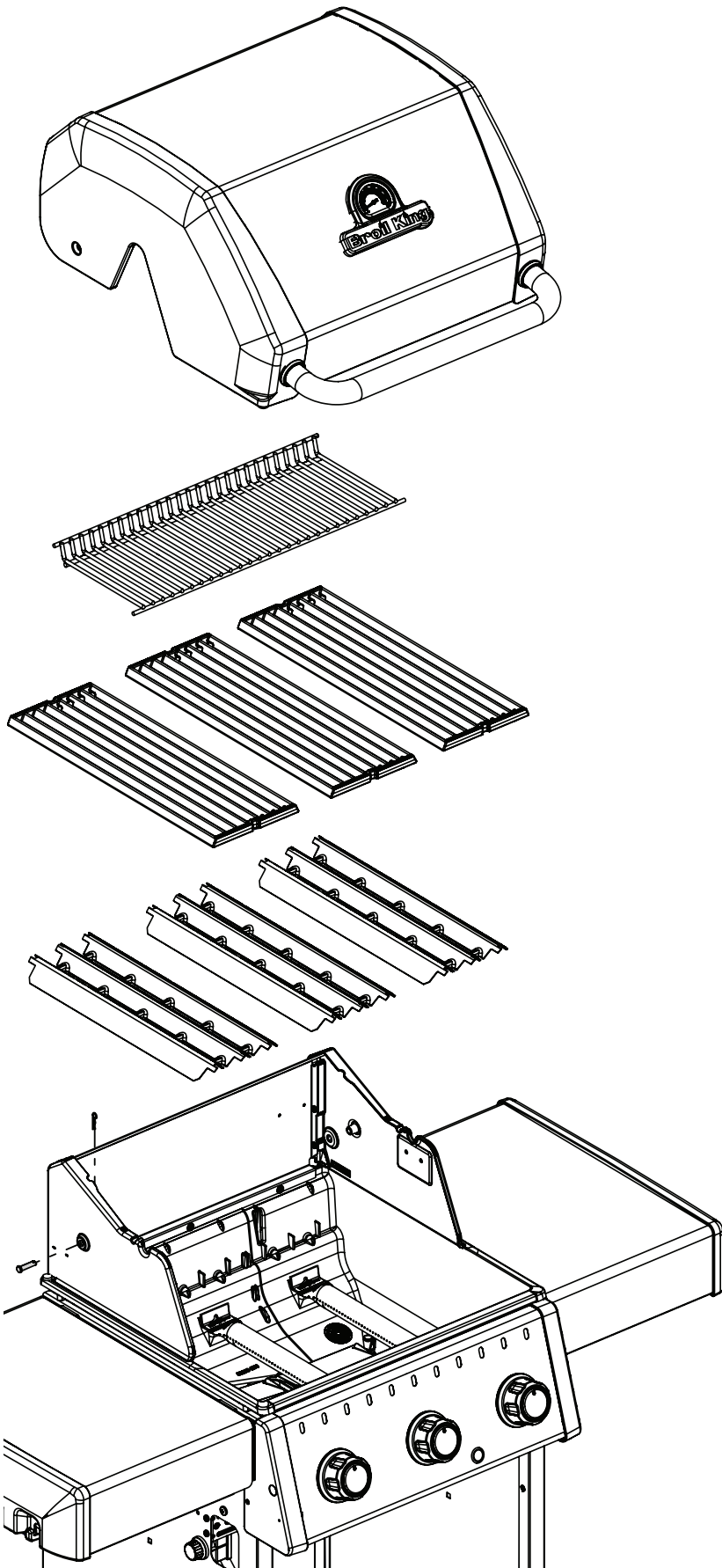






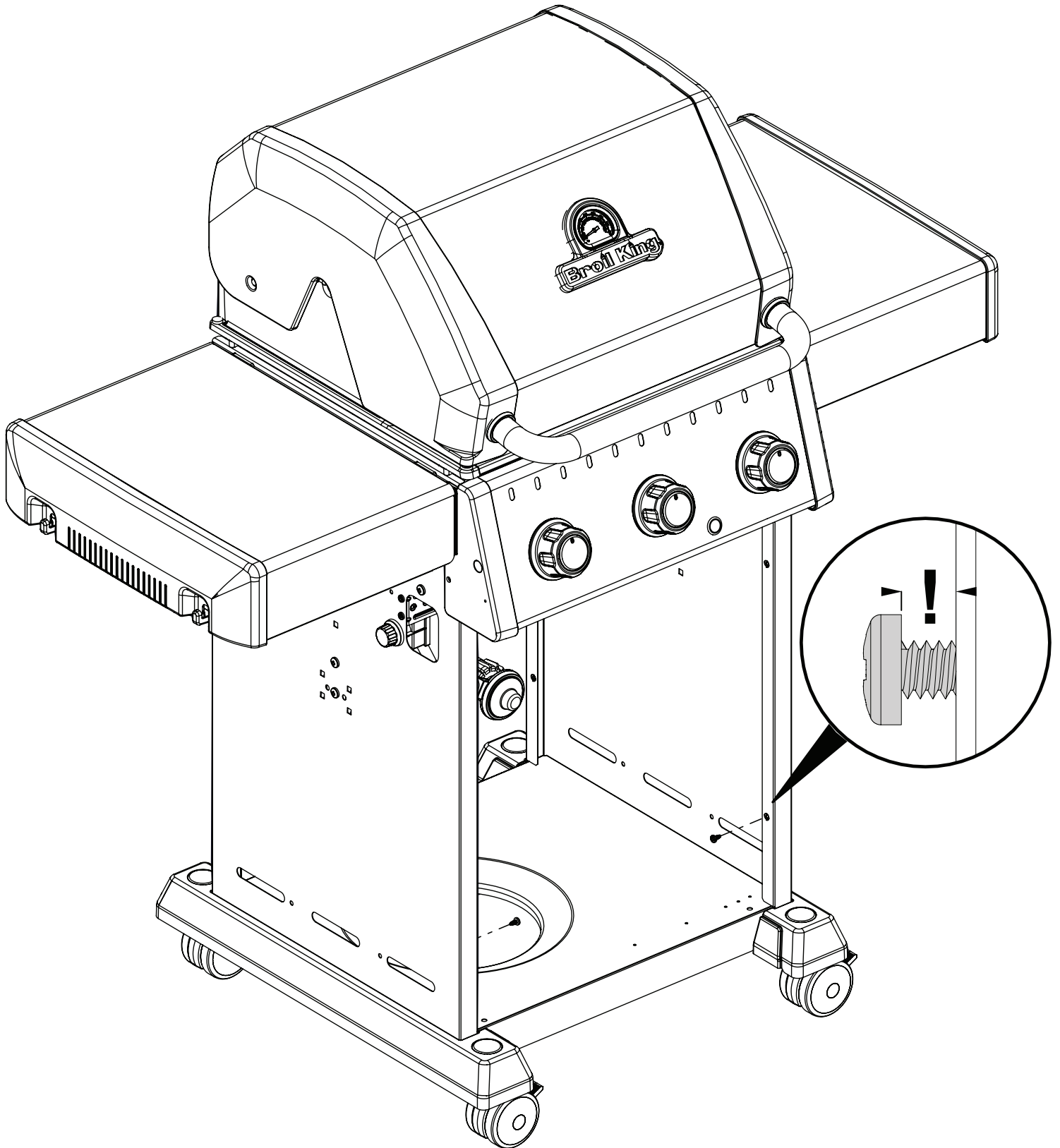
12

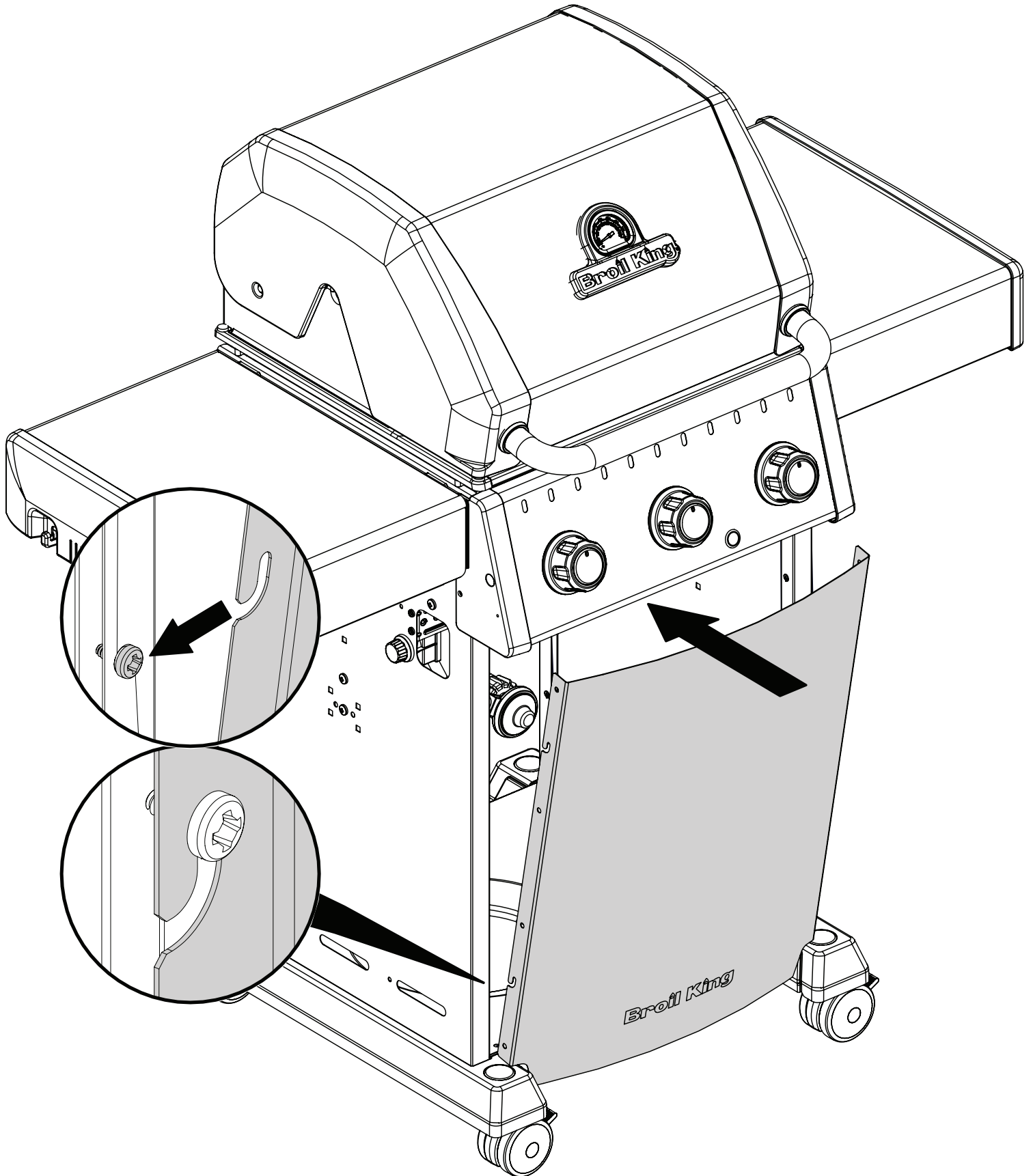
(2)  (2) 



13

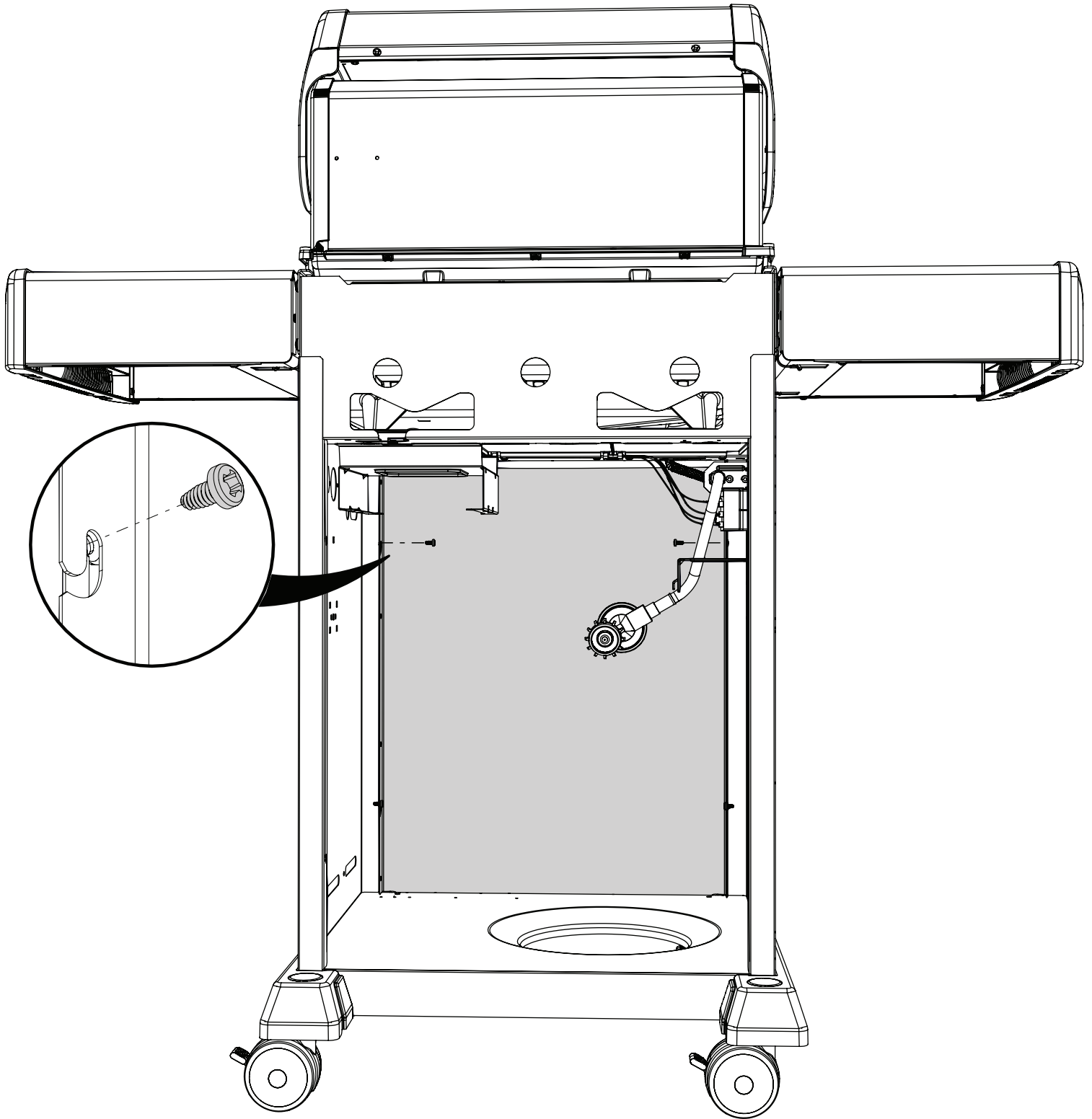
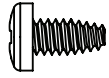
(2) 



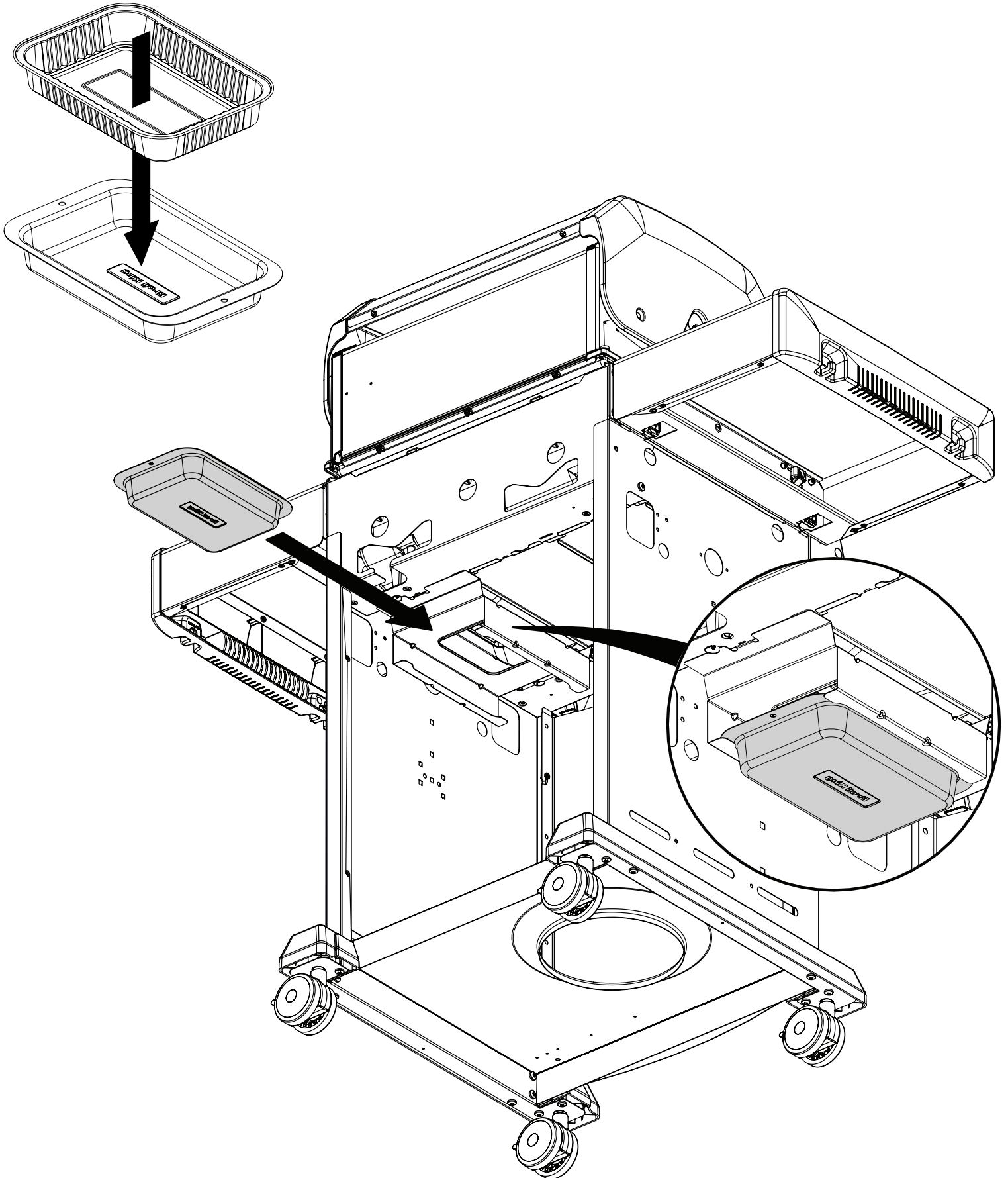


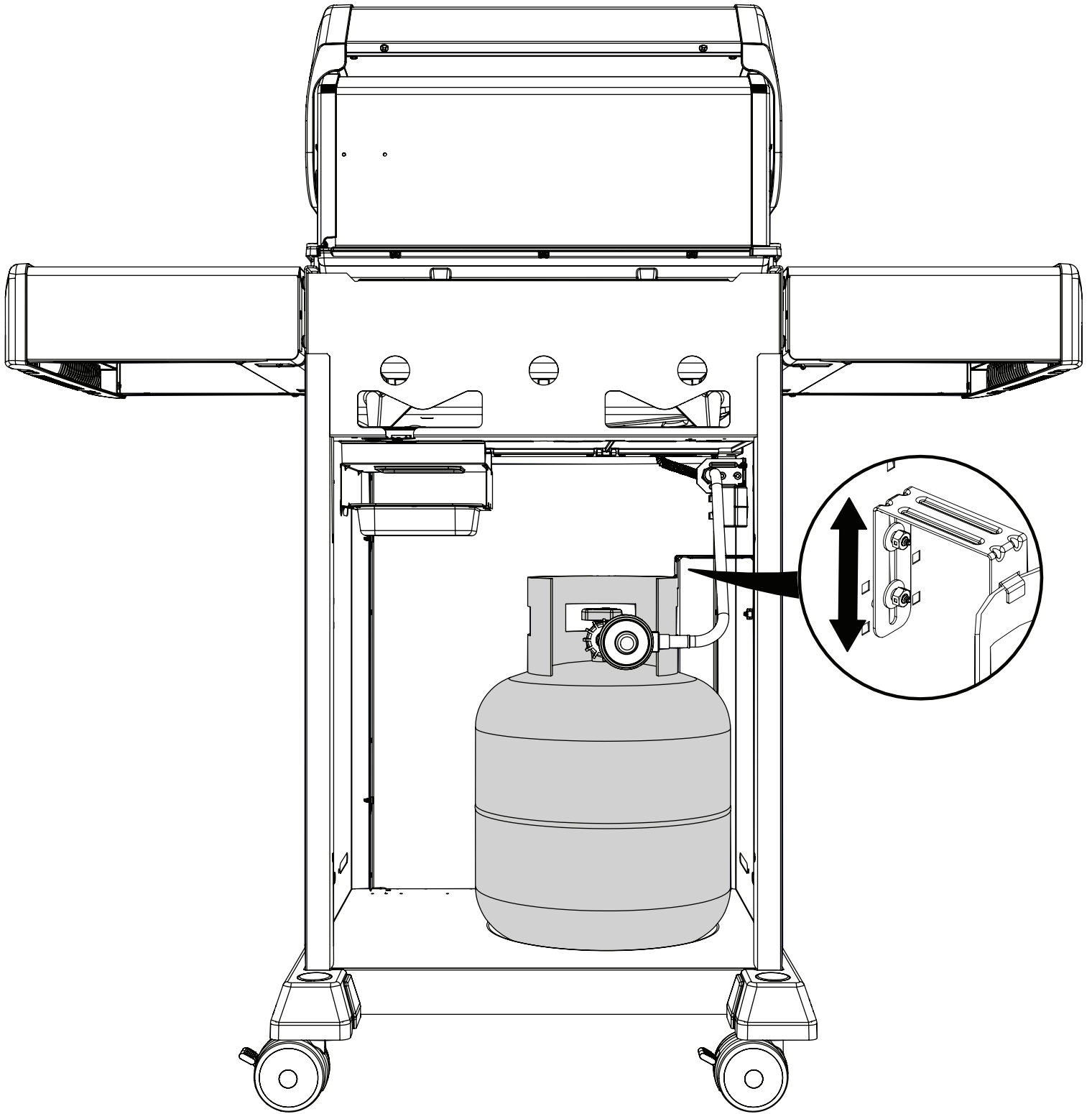
15

(2)



16





PARTS LIST / LISTE DES PIÈCES

| KEY # | ITEM # | DESCRIPTION | DESCRIPTION | 8640-54 |
|--------------|---------------|---------------------|----------------------------------|----------------|
| 1 | 52004-107 | FIREBOX ASSEMBLY | ASSEMBLAGE DE LA CHAMBRE À FEU | 1 |
| 2 | 56004-801 | LID ASSEMBLY | ASSEMBLAGE DU COUVERCLE | 1 |
| 7 | Y-11544S | SCREW - BURNER | VIS - BRÛLEUR | 3 |
| 8 | S21242 | BURNER CLIP | ATTACHE DE CHEVILLE | 3 |
| 18 | 52001-981 | GRID - SINGLE CI | GRILLE | 3 |
| 20 | 52004-991 | GRID - WARMING RACK | GRILLE - MAINTIEN AU CHAUD | 1 |
| 21 | 59804-014 | CONTROL ASSEMBLY | SOUPAPE | 1 |
| 22 | 22024-903A | COLLECTOR BOX | RECIPIENT | 1 |
| 24 | 10111-16A | CONNECTOR HOSE | TUYAU | 1 |
| 25 | 18631 | BURNER | BRÛLEUR | 3 |
| 26 | 52002-298A | CONTROL KNOB | BOUTON DE CONTROLE | 3 |
| 28 | 52023-121CRO | CONTROL COVER | PANNEAU DE CONTROLE | 1 |
| 31 | 52009-918 | EDGE CAP - LH | PAC DE BORD - CÔTE GAUCHE | 1 |
| 32 | 52009-938 | EDGE CAP - RH | PAC DE BORD - CÔTE DROITE | 1 |
| 37 | 53139-908 | SHELF BRACKET | SUPPORT DE TABLETTE LATÉRALE | 4 |
| 38 | Y-12620 | SHELF LOCK CLIP | AGRAFE SERRURE | 4 |
| 40 | 10114-16 | REGULATOR | TUYAU ET REGULATEUR PL | 1 |
| 41 | 10342-E13 | ELECTRODE | ELECTRODE | 1 |
| 42 | 10342-E22 | ELECTRODE | ELECTRODE | 1 |
| 44 | 53005-001A | ELECTRONIC IGNITOR | ALLUMAGE ÉLECTRONIQUE | 1 |
| 44A | 25070-925 | WIRE - IGNITOR | FIL ÉLECTRIQUE - ALLUMAGE | 1 |
| 44B | 25070-931 | BUTTON - IGNITOR | BOUTON - ALLUMAGE | 1 |
| 48 | 52004-007 | GREASE PAN | CUVETTE A GRAISSE | 1 |
| 49 | 51009-007 | GREASE TRAY | PLATEAU A GRAISSE | 1 |
| 50 | 52060-101 | GREASE TRAY SUPPORT | SUPPORT DE PLATEAU A GRAISSE | 1 |
| 51 | 18431 | FLAV-R-WAVE ® | FLAV-R-WAVE ® | 3 |
| 52 | 52149-004 | GREASE SHIELD | PROTECTION CONTRE LA GRAISSE | 2 |
| 56 | 24004-12A | HANDLE | POIGNÉE | 1 |
| 58 | 24009-936 | BEZEL | MONTURE | 2 |
| 59 | 10081-BK630 | NAMEPLATE | PLAQUE D'IDENTIFICATION | 1 |
| 60 | 18013 | HEAT INDICATOR | INDICATEUR DE CHALEUR | 1 |
| 62 | 53409-148 | SHELF END CAP | PAC DE BORD DE TABLETTE LATÉRALE | 2 |
| 65 | 20005-000 | MATCH LIGHT - STICK | ALLUMETTES | 1 |
| 69 | 51584-106 | FRONT PANEL | PANNEAU AVANT | 1 |
| 80 | 51189-101 | SIDE PANEL | PANNEAU LATÉRALE | 2 |
| 90 | 51624-141 | BASE | TABLETTE INFÉRIEURE | 1 |
| 99 | 32001-151 | CASTOR BRACKET CAP | CASQUETTE | 4 |
| 100 | 51639-108 | CASTOR BRACKET | SUPPORT DE ROULLETTE | 2 |
| 102 | 10892-286 | CASTOR | ROULETTES | 4 |
| 103 | 20005-006N | TANK BRACKET | SUPPORT DU RESERVOIR | 1 |
| 114 | 53109-111 | SHELF | PLANCHETTE LATÉRALE | 2 |
| 141 | Y-11559 | BOLT 1/4-20 X 1 | BOULON 1/4-20 X 1 | 2 |
| 142 | S21125 | SCREW #8 X 1/2 | VIS #8 X 1/2 | 2 |
| 145 | S21235 | HINGE PIN | GOUPILLE DE CHARNIÈRE | 2 |
| 146 | S21233 | HITCH PIN CLIP | ATTACHE DE CHEVILLE | 2 |
| 147 | Y-11231 | LID BUMPER | BUTOIR DU COUVERCLE | 4 |
| 159 | S21127S | SCREW #8-32 X 7/16 | VIS #8-32 X 7/16 | 6 |
| 160 | Y-29304 | SCREW #10-24 X 3/8 | VIS #10-24 X 3/8 | 26 |
| 161 | Y-12310 | SCREW 1/4-20 X 3/4 | VIS 1/4-20 X 3/4 | 8 |
| 162 | S21084 | SCREW #14 X 3/8 | VIS #14 X 5/8 | 8 |
| 174 | S21255 | WASHER | RONDELLE | 2 |
| 175 | Y-11546 | SCREW 1/4-20 X 5/8 | BOULON - 1/4:20 X 5/8 | 2 |
| 176 | Y-11795 | NUT 1/4-20 | ECROU 1/4-20 | 2 |
| 186 | Y-12865 | SCREW 1/4-20 X 3/4 | VIS 1/4-20 X 3/4 | 10 |

