

Broil King®

ASSEMBLY MANUAL & PARTS LIST - MANUEL DE MONTAGE & LISTE DE PIÈCES



Broil King
BARON S 590 PRO IR
8769-47

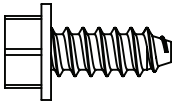
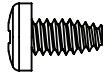
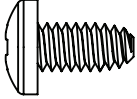

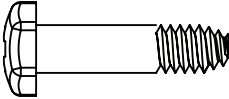

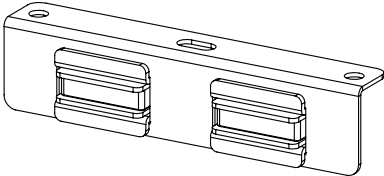

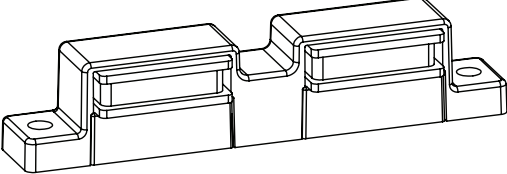
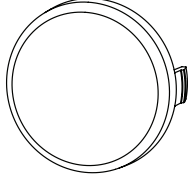
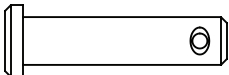
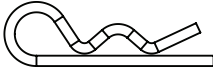
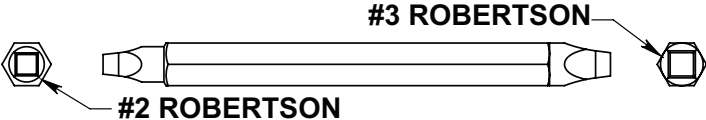
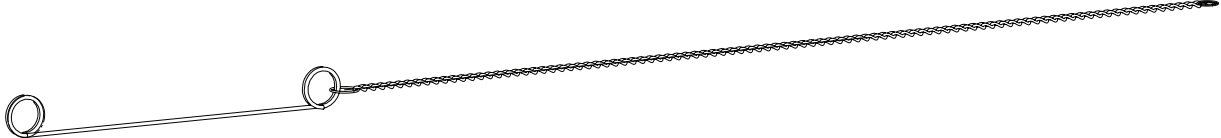
RETAIN FOR FUTURE REFERENCE - VEUILLEZ CONSERVER POUR REFERENCE ULTERIEURE

Onward
SINCE 1906
MANUFACTURING COMPANY LIMITED
585 KUMPF DRIVE
WATERLOO, ONTARIO, CANADA
N2V 1K3

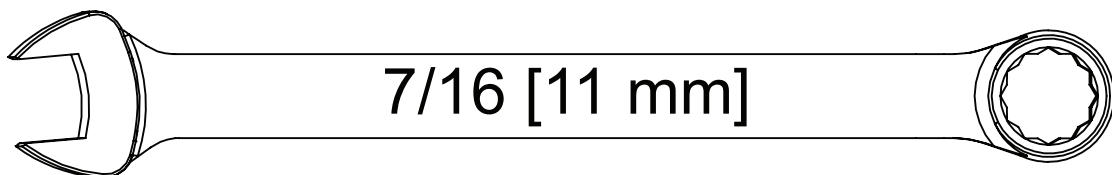
info@omcbbq.com
1-800-265-2150

50084-E81NG REV D 03/24

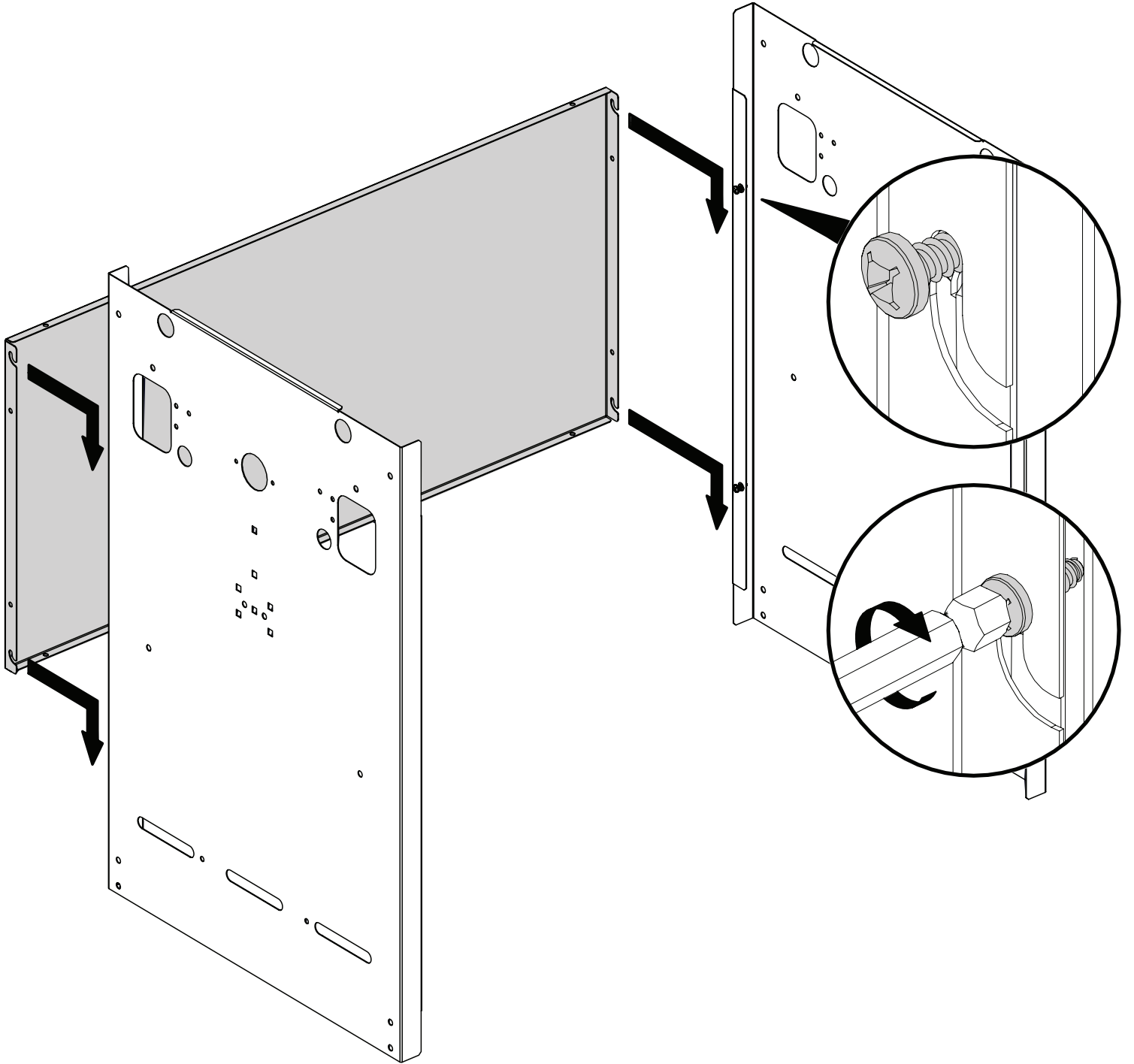
HARDWARE INCLUDED / MATERIAL INCLUS

| | | | | | |
|------------------------------------------------------------------------------------|--------------------------------------------------------------------------------------|-----|-----------|---------------------------------------------------------------------------------------|-----|
| S21084 |  | (8) | Y-29304 |  | (2) |
| Y-12865 |  | (8) | S21124 |  | (8) |
| Y-11551 |  | (2) | Y-12124 |  | (2) |
| 56039-214A |  | (1) | S21125 |  | (2) |
| Y-12229 |  | (1) | 32001-151 |  | (4) |
| S21235 |  | (2) | S21233 |  | (2) |
|  | | | | | |
| 20005-000 |  | | | | (1) |

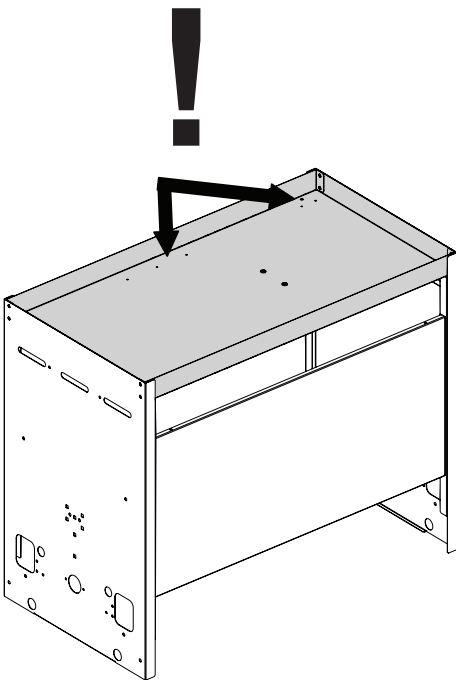
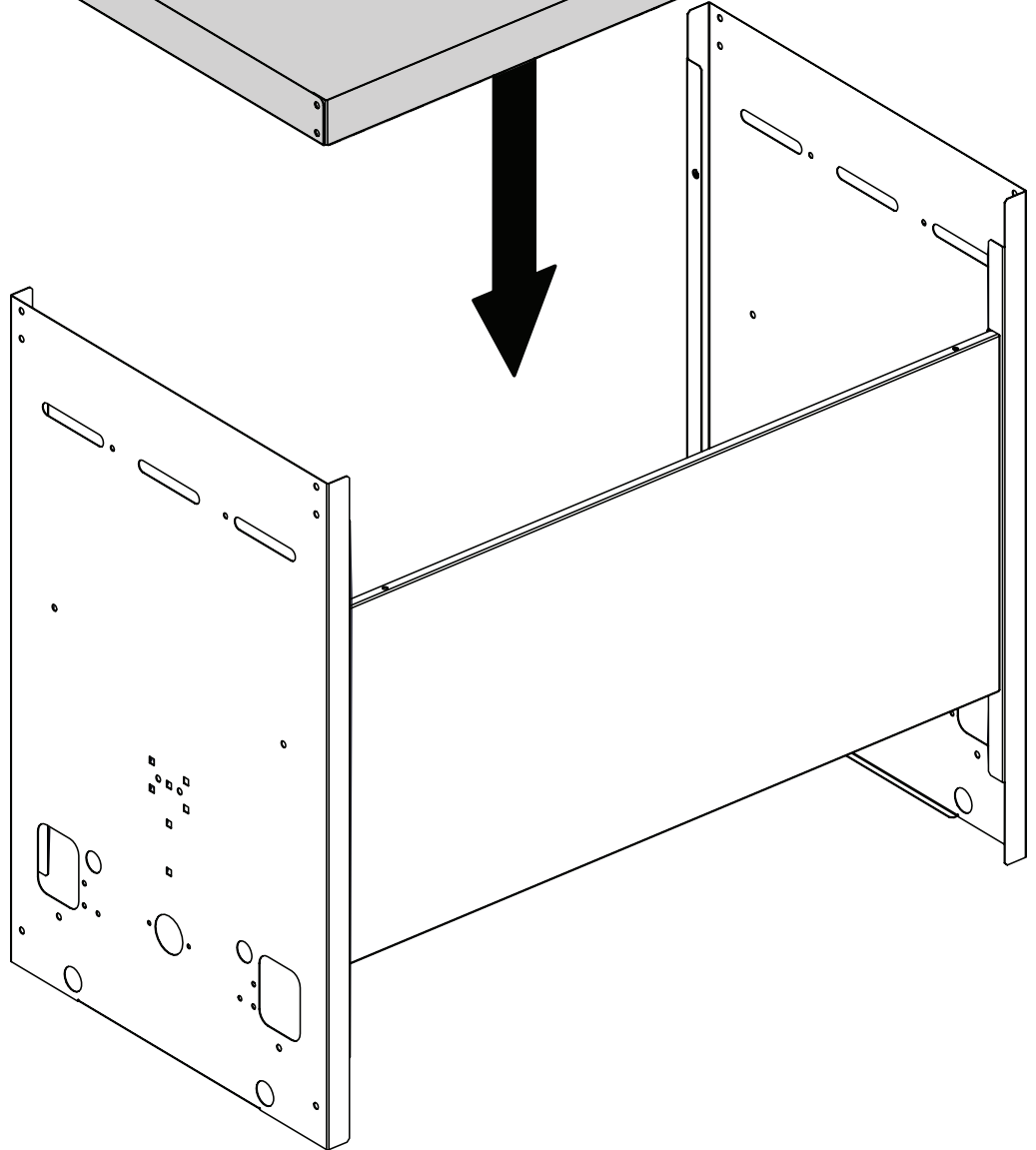
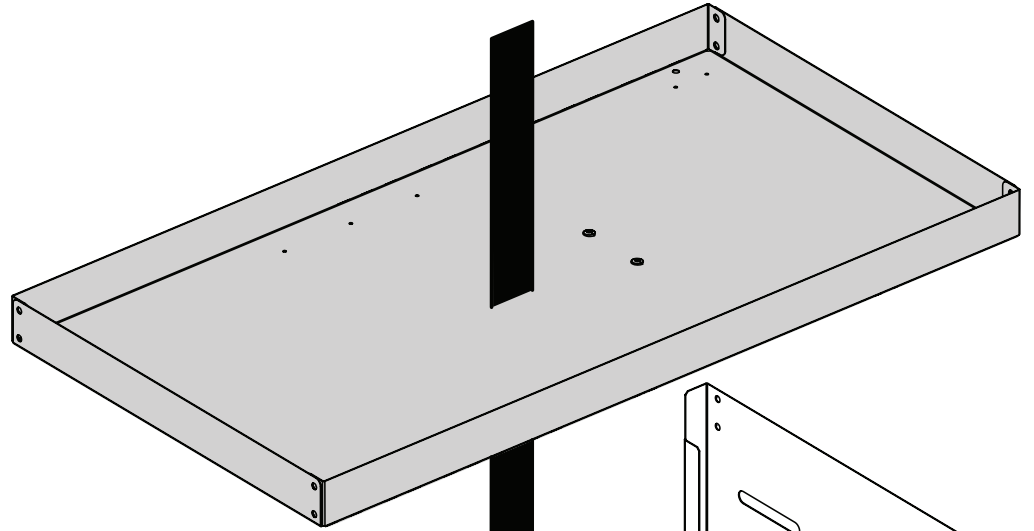
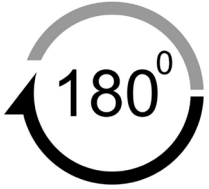
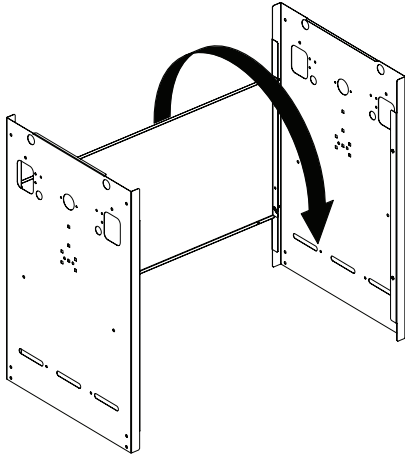
TOOLS REQUIRED / OUTILS NECESSAIRES




1

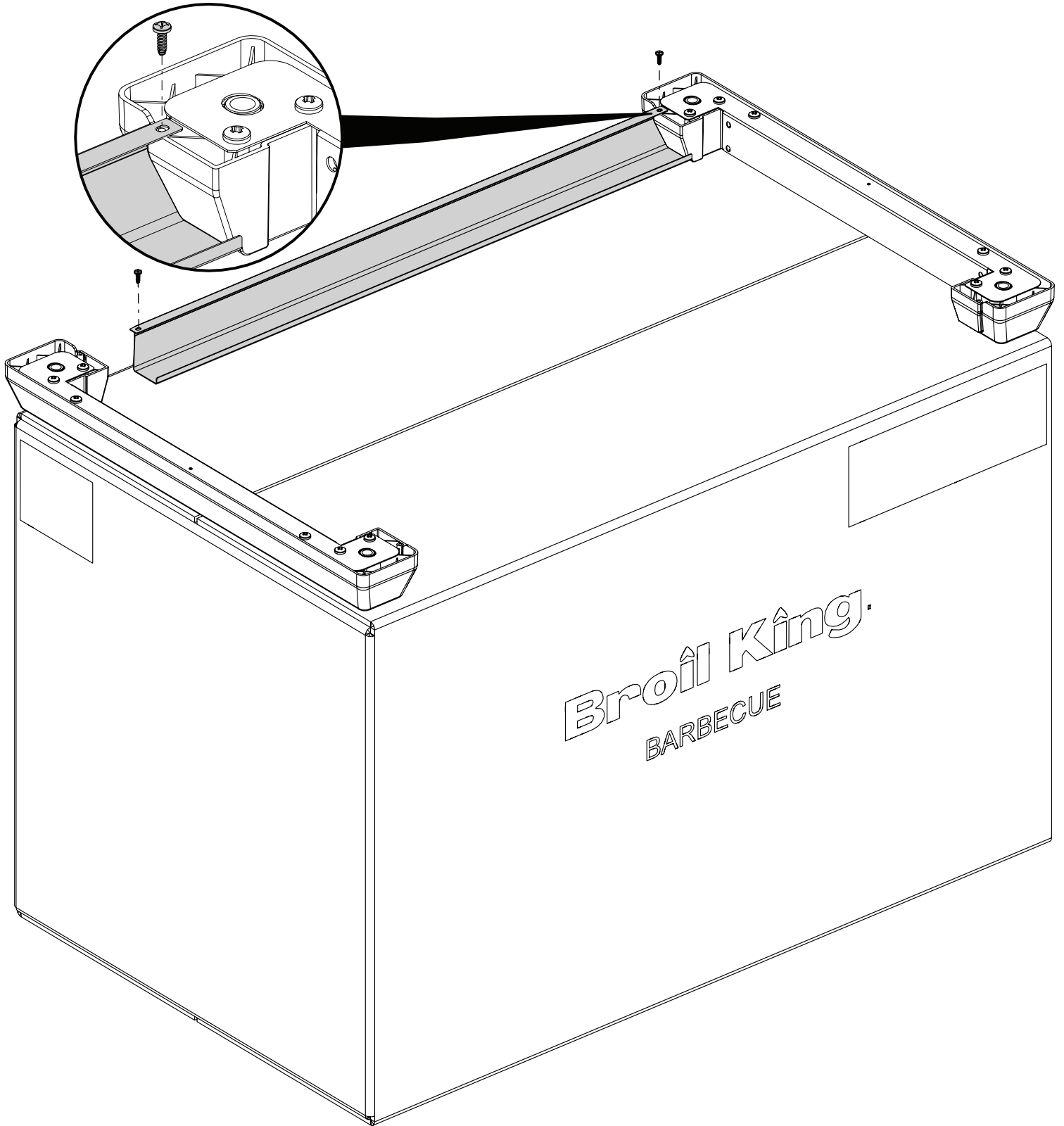


2



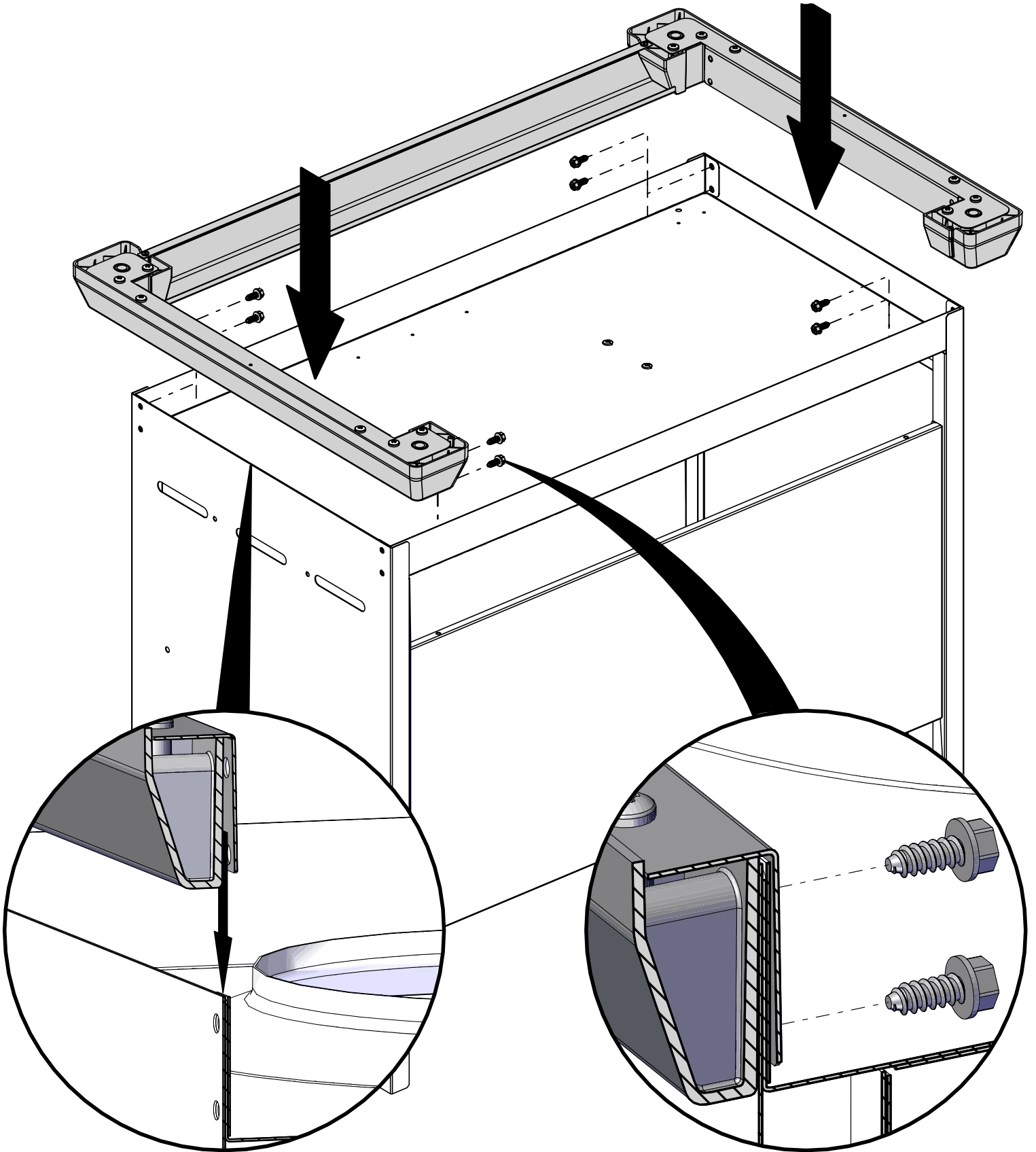
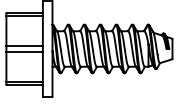
3

(2) 




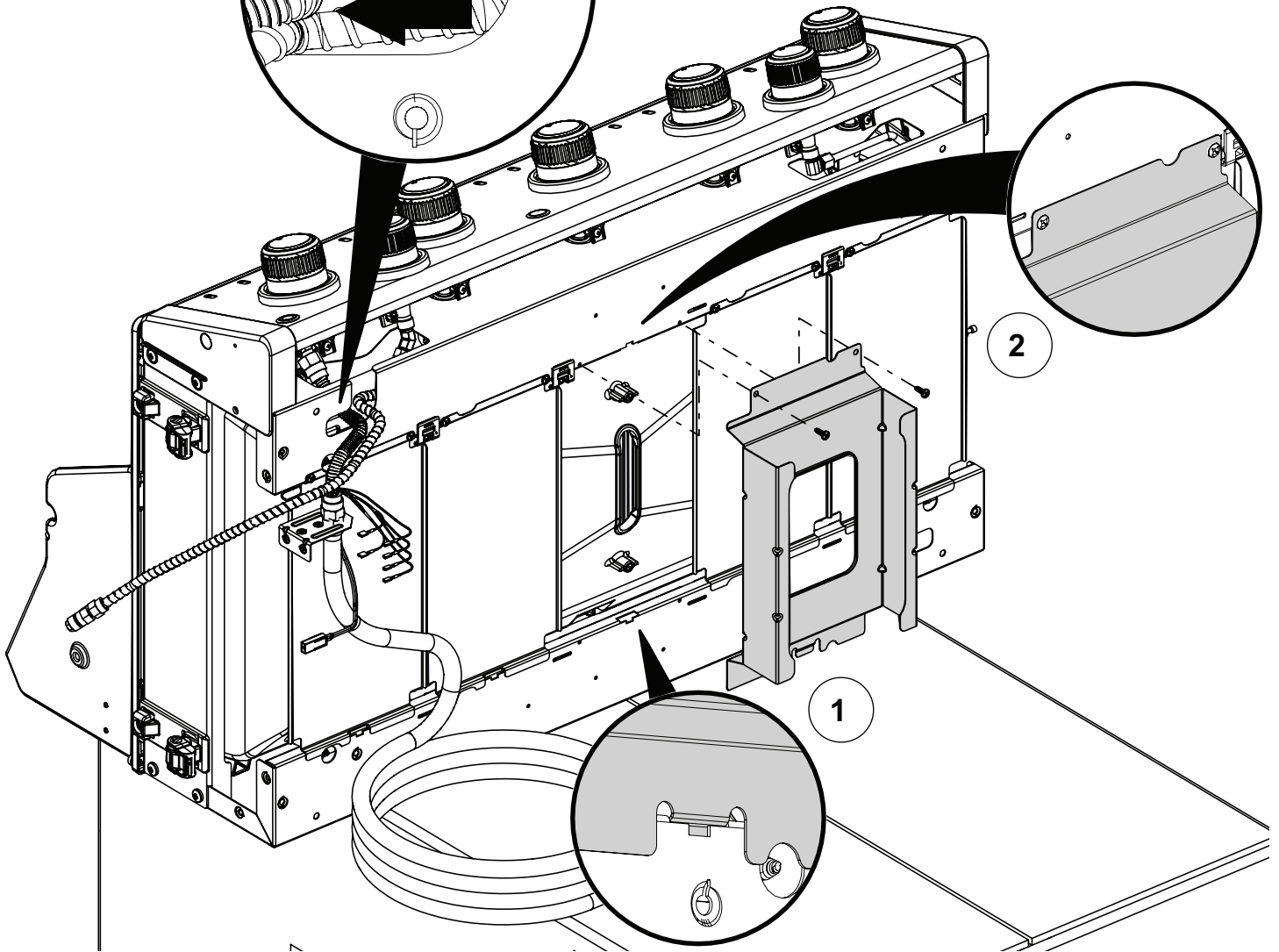
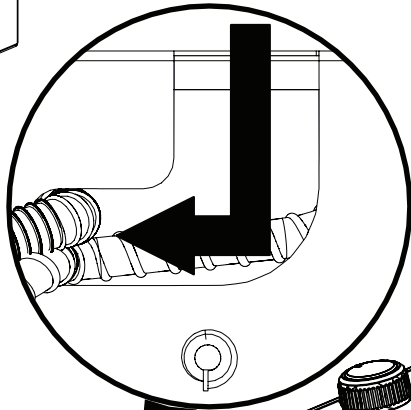
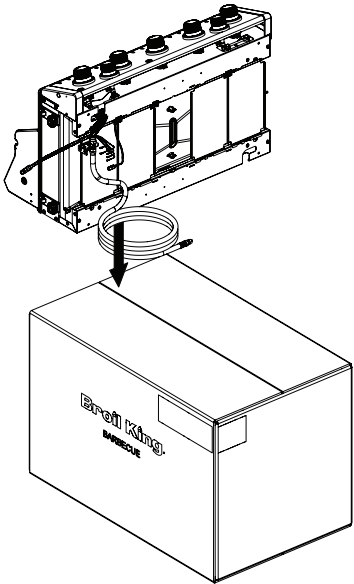
4

(8)

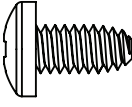


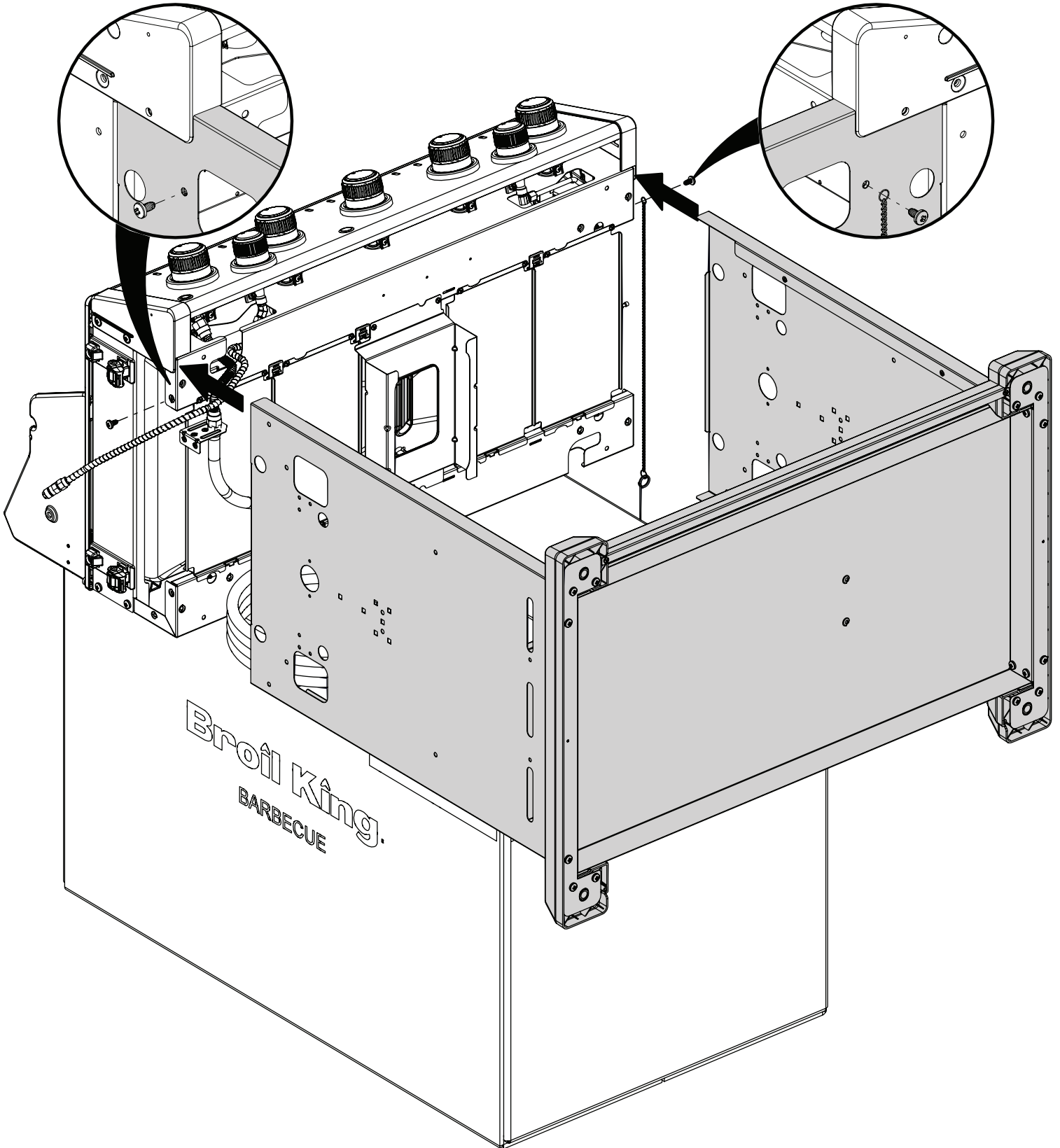
5

(2) 

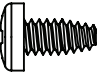


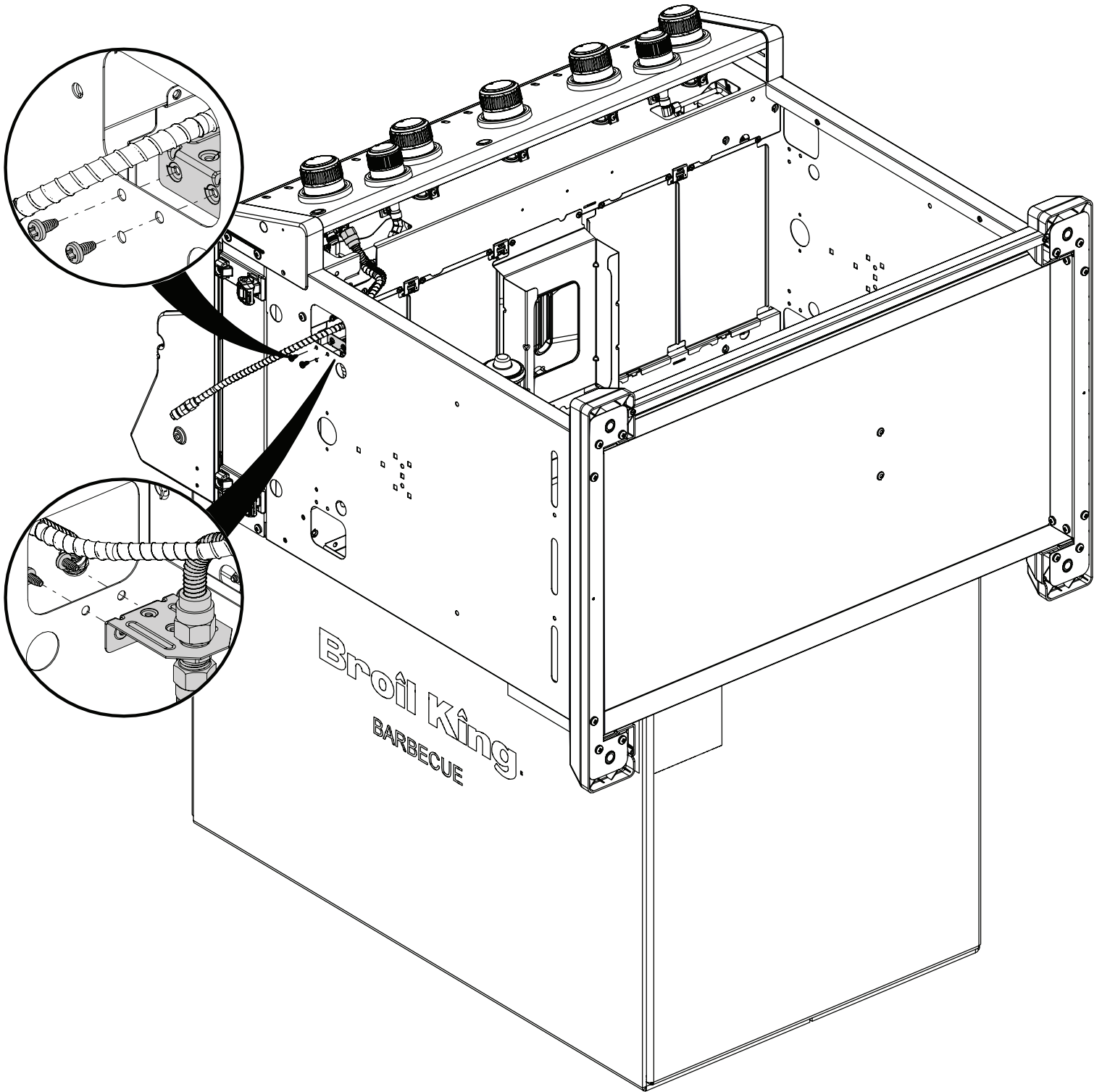
6

(2)  (1)




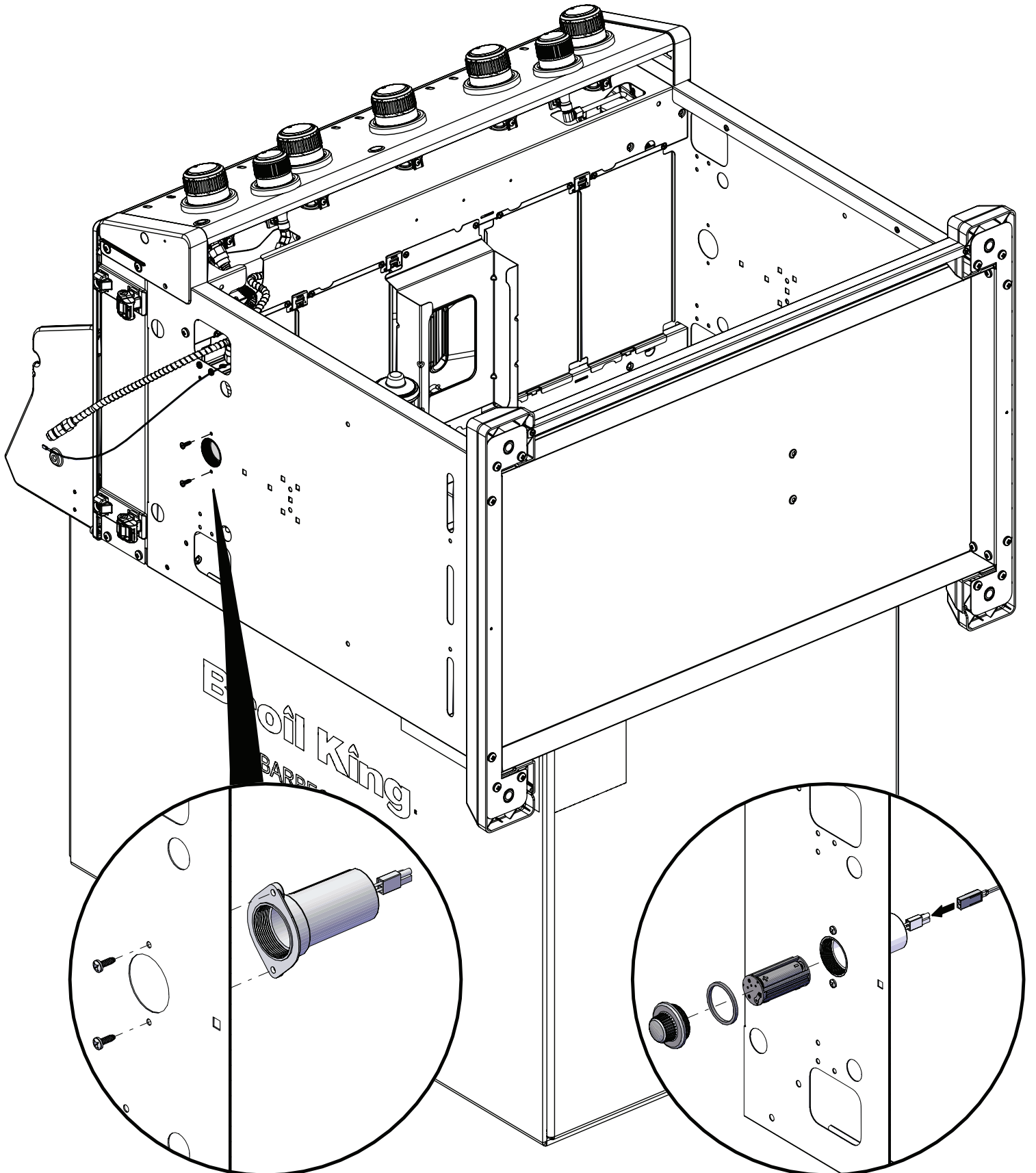
7

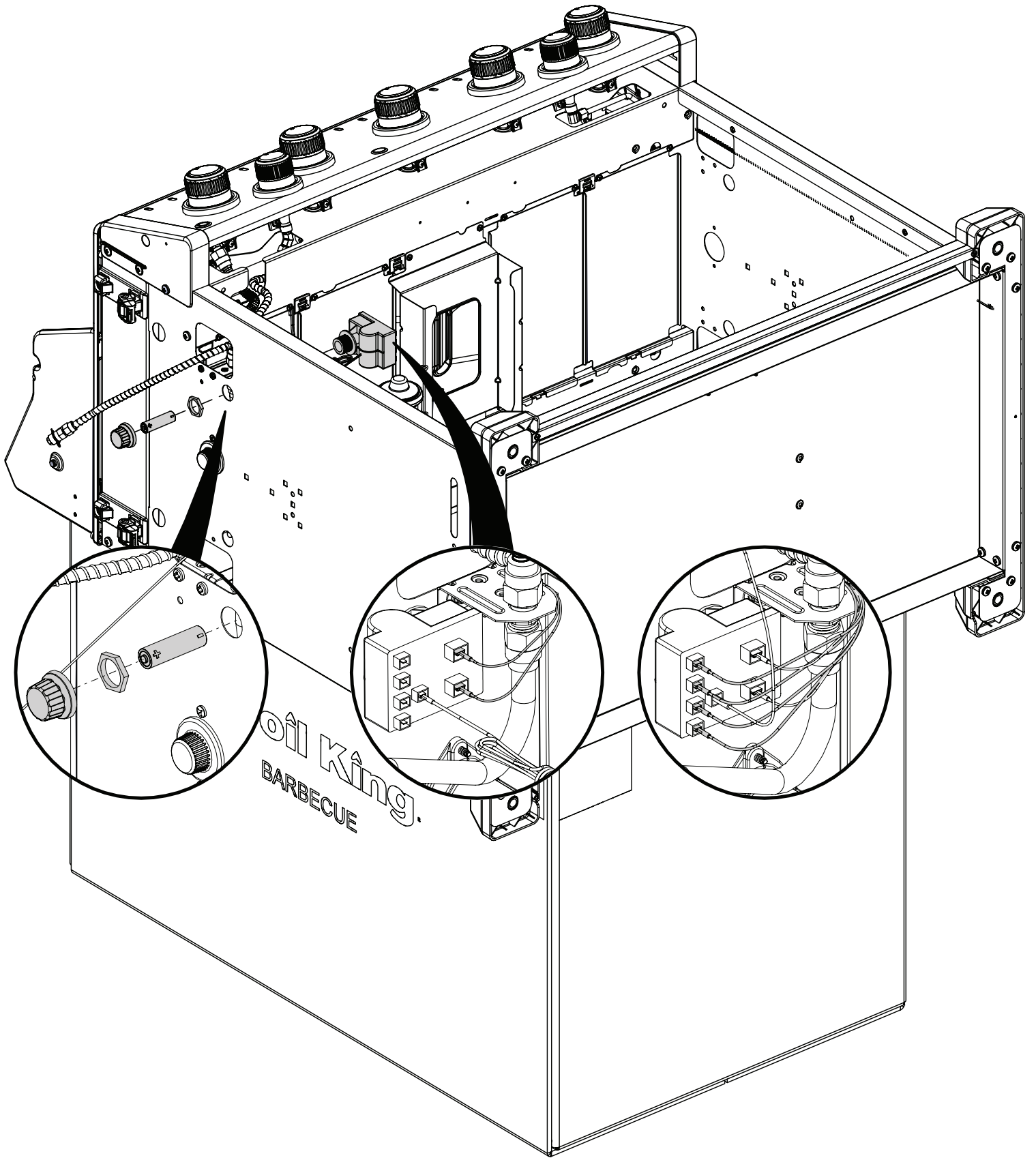
(2) 



8

(2) 

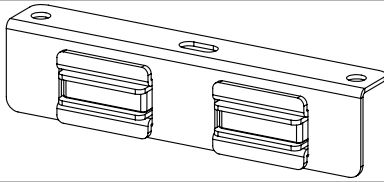




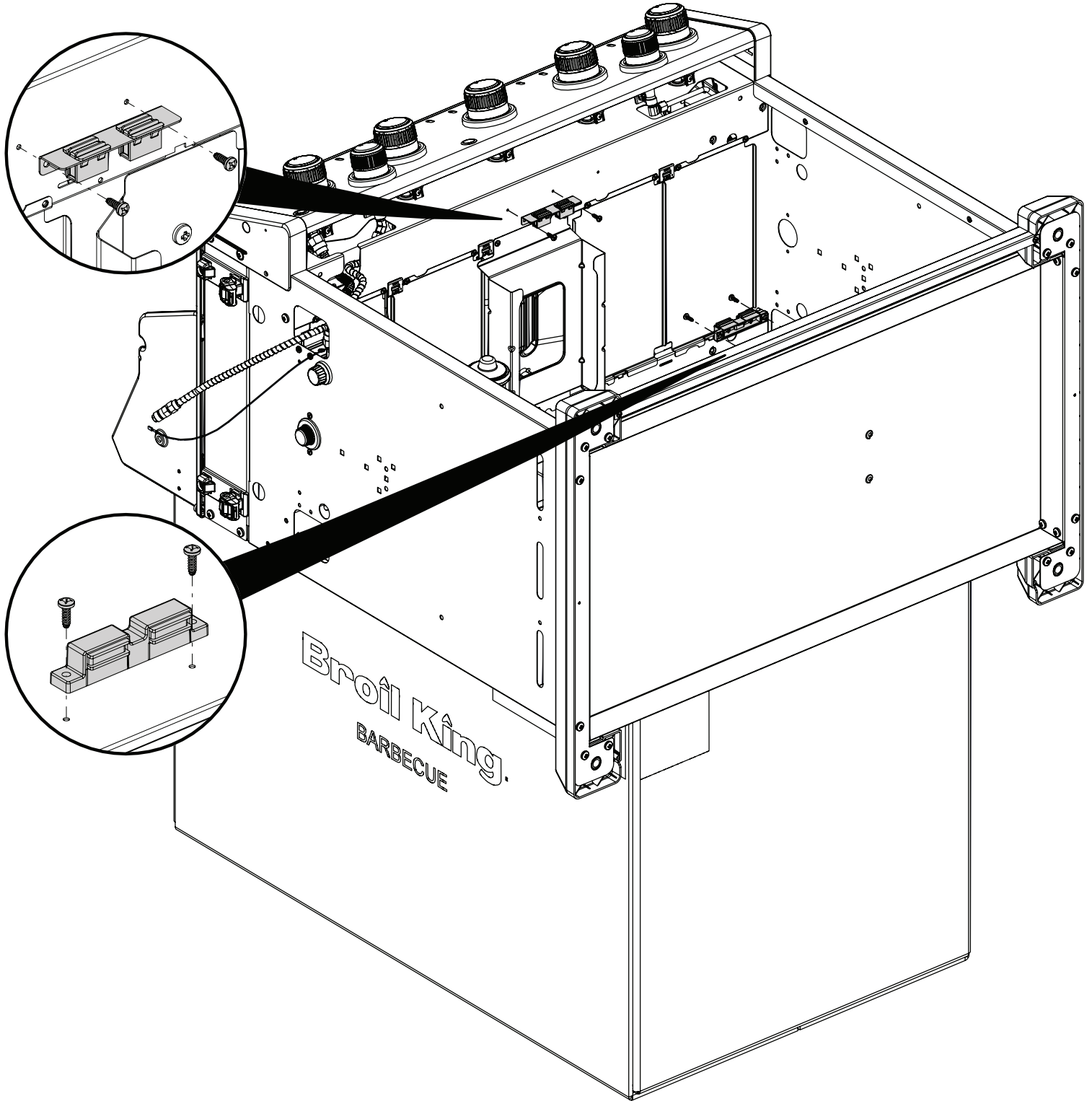
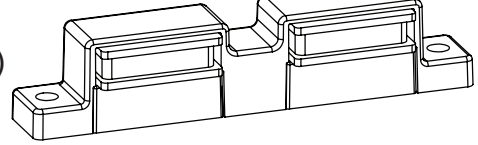
10

(4)

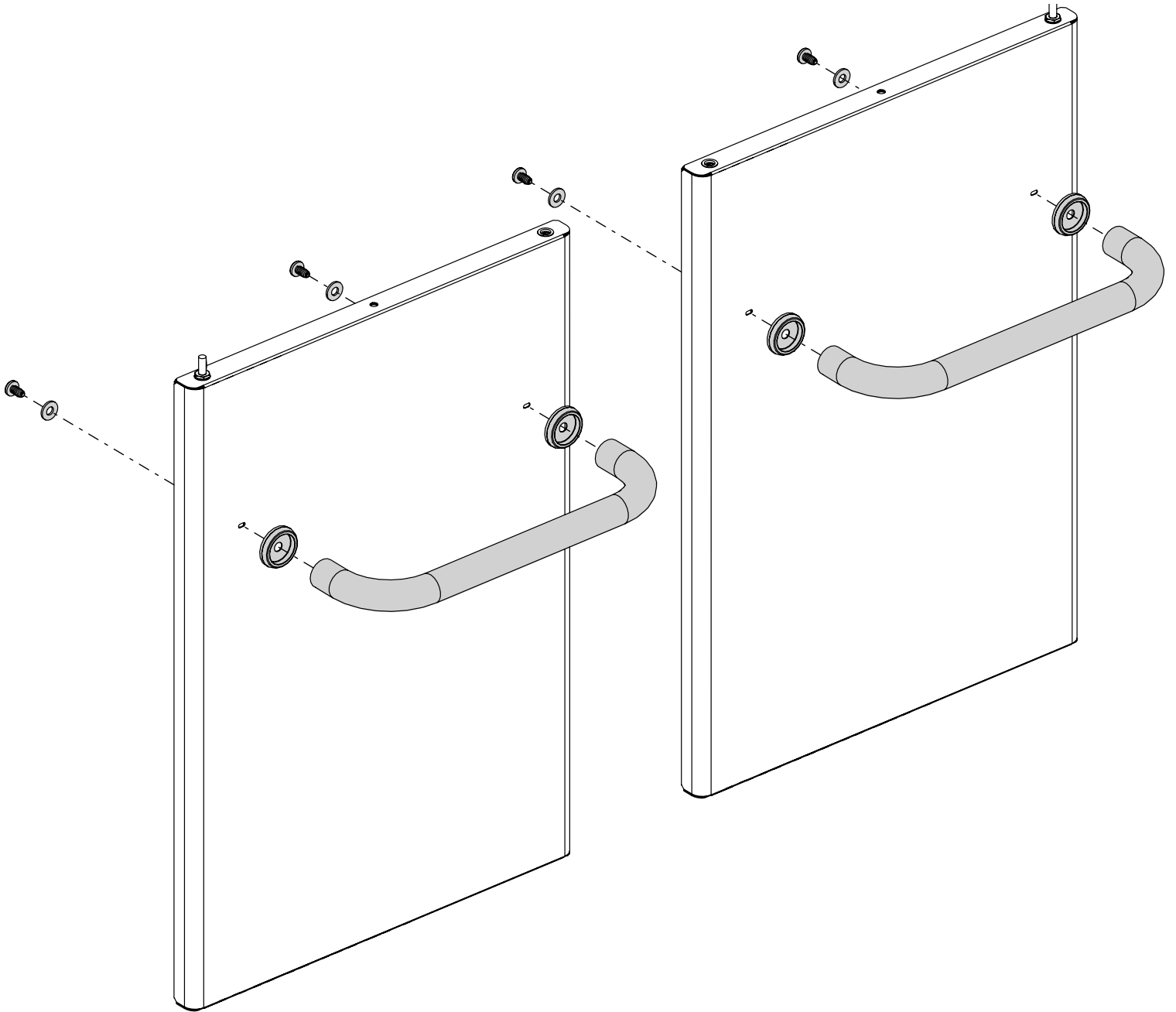
(1)



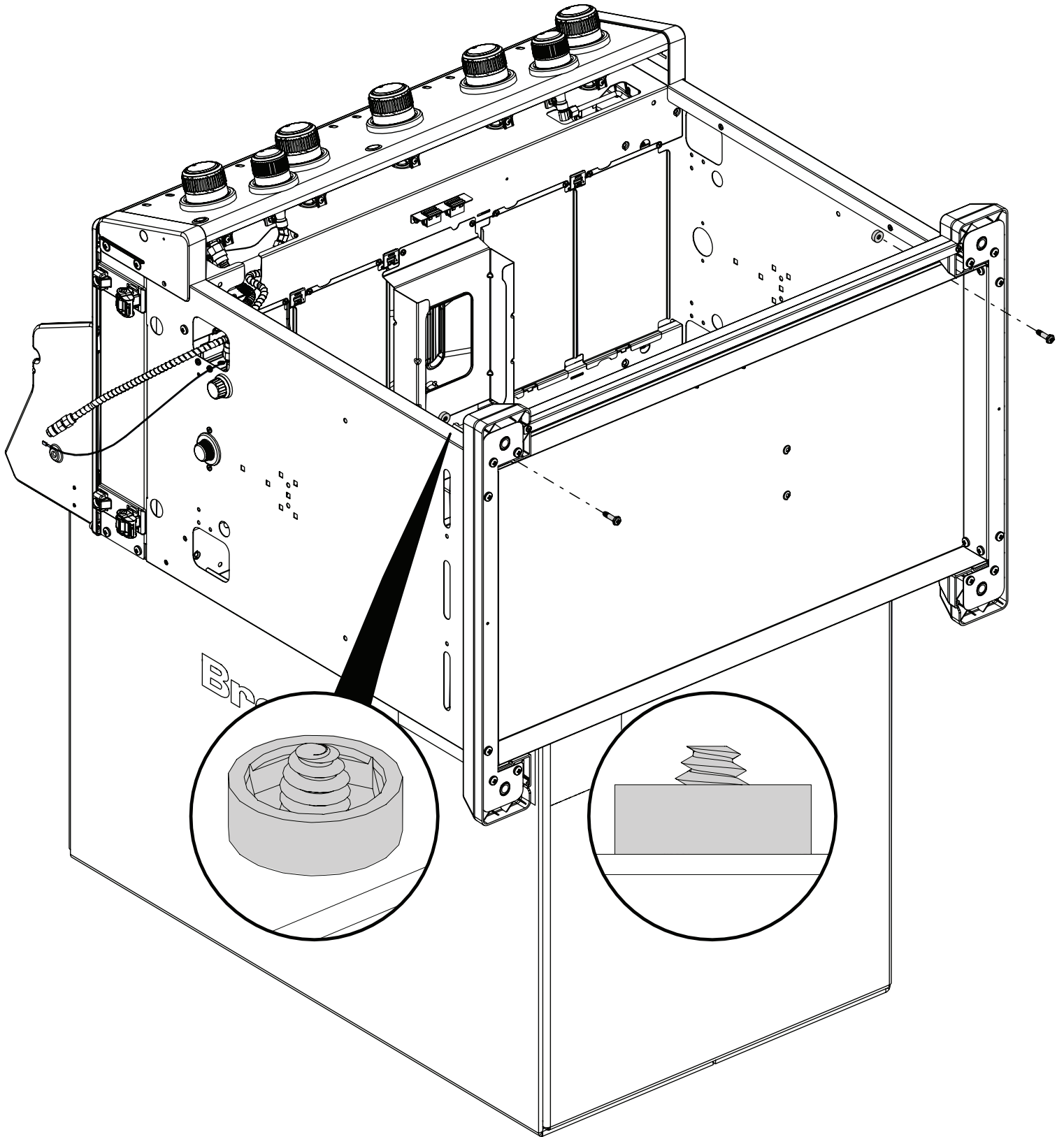
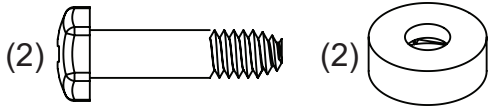
(1)

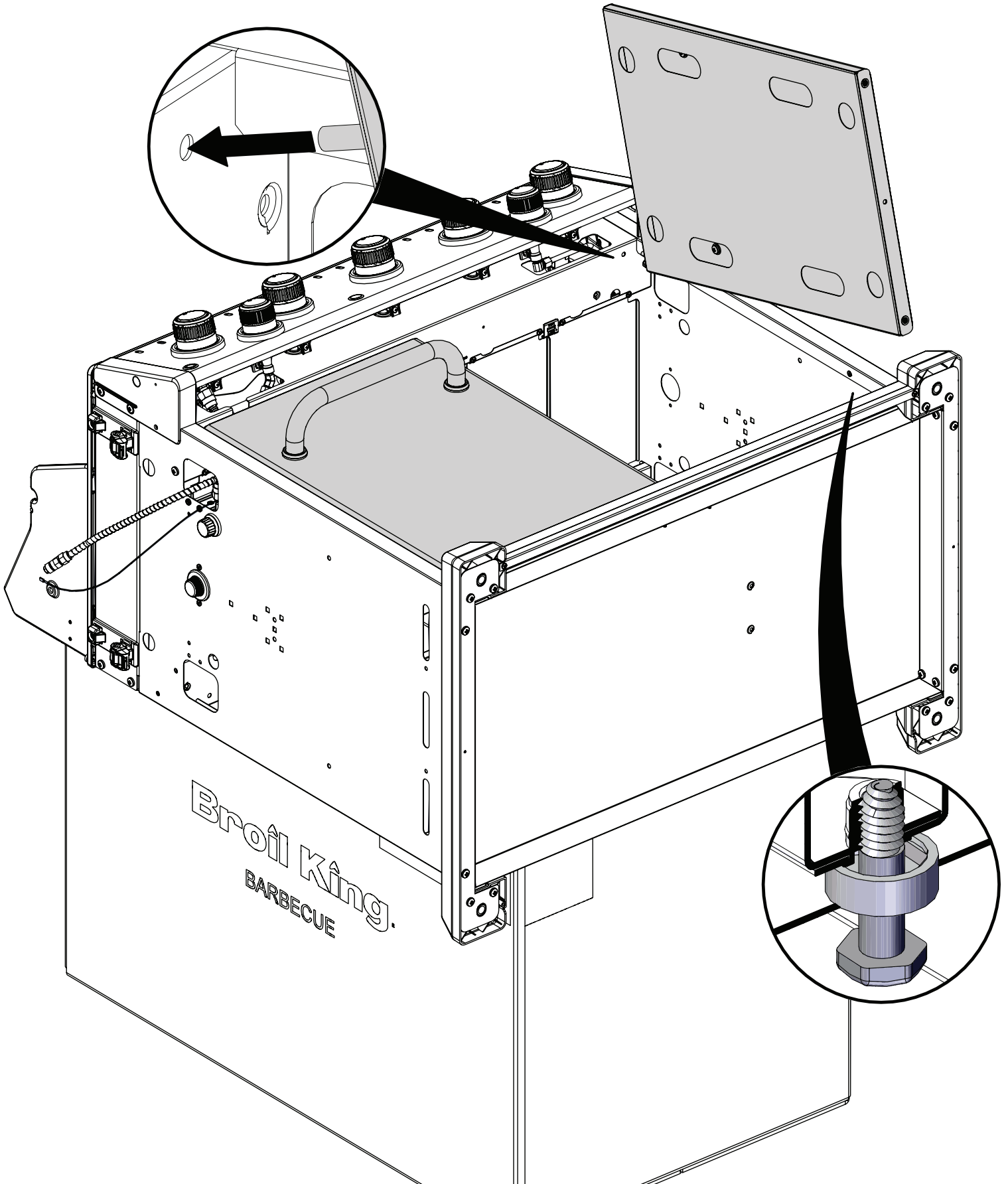


11



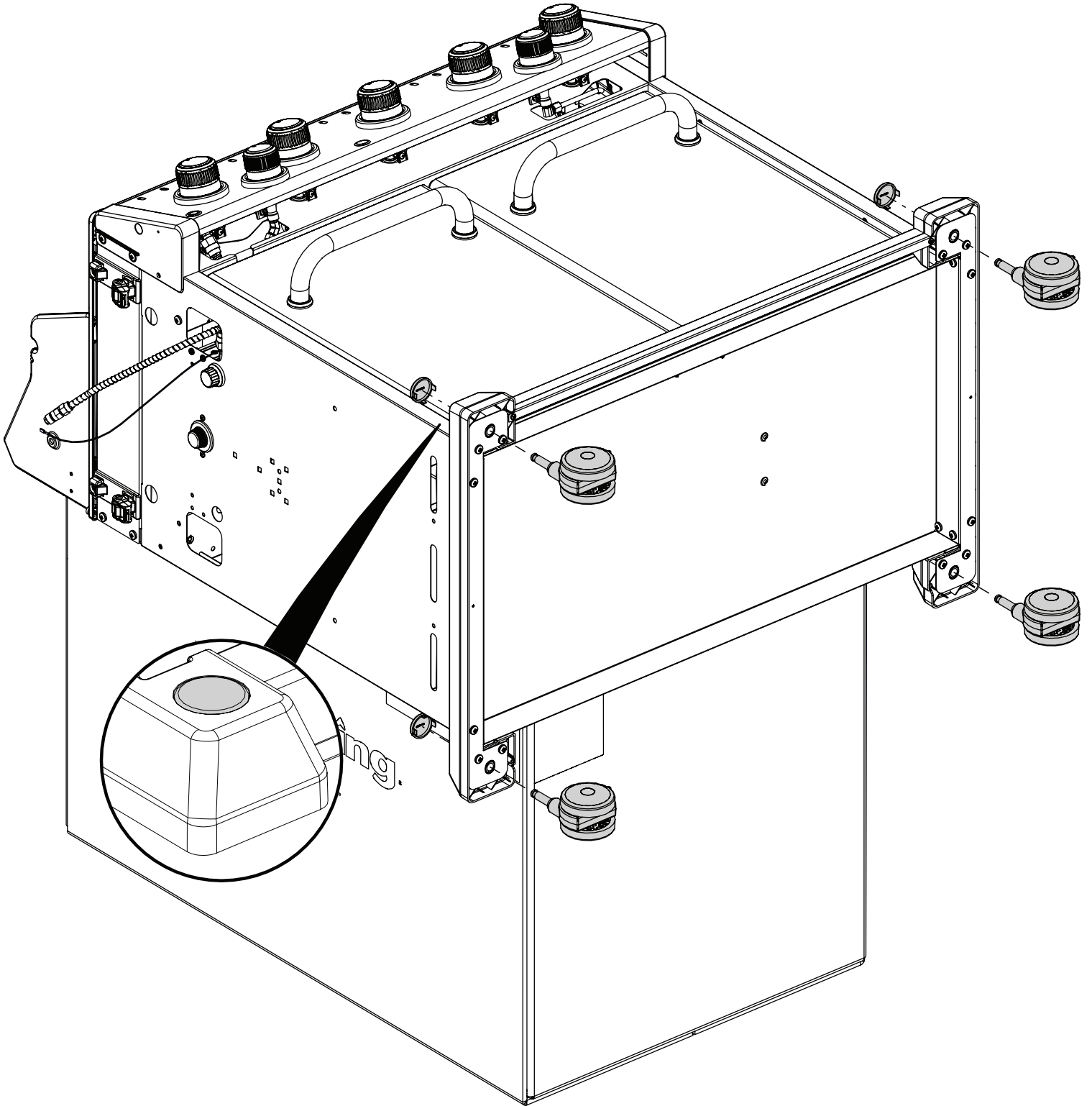
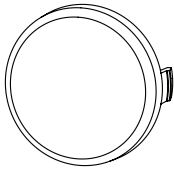
12

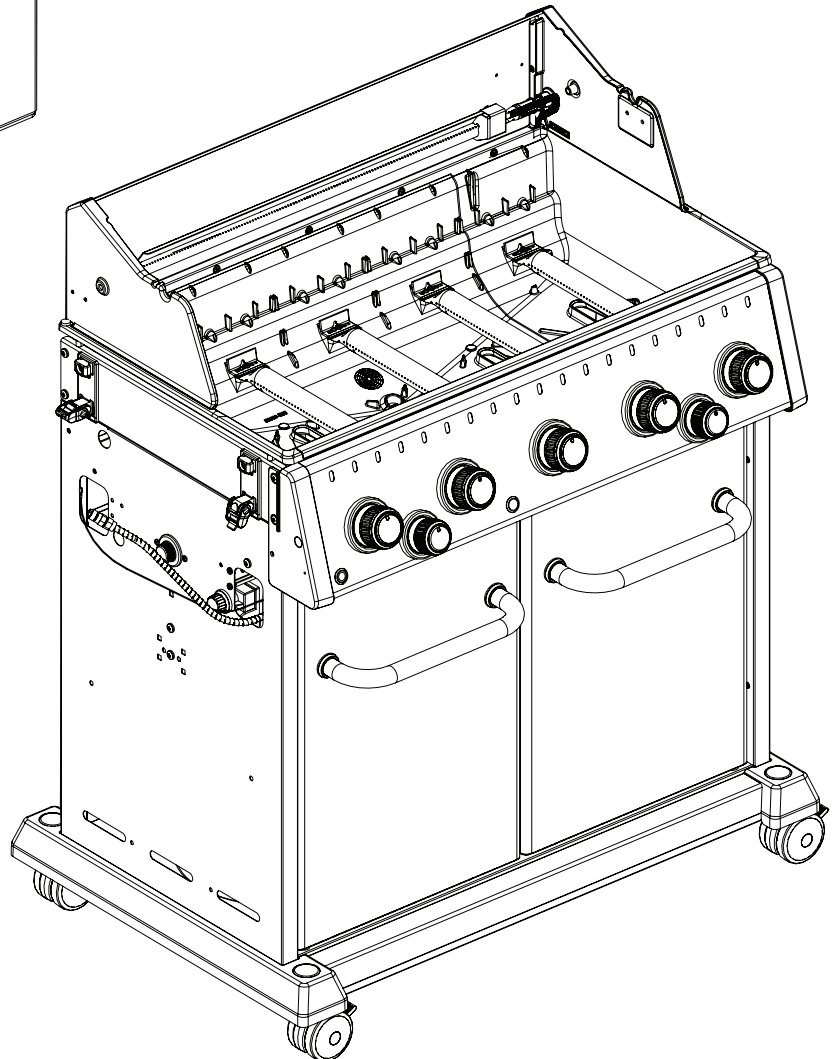
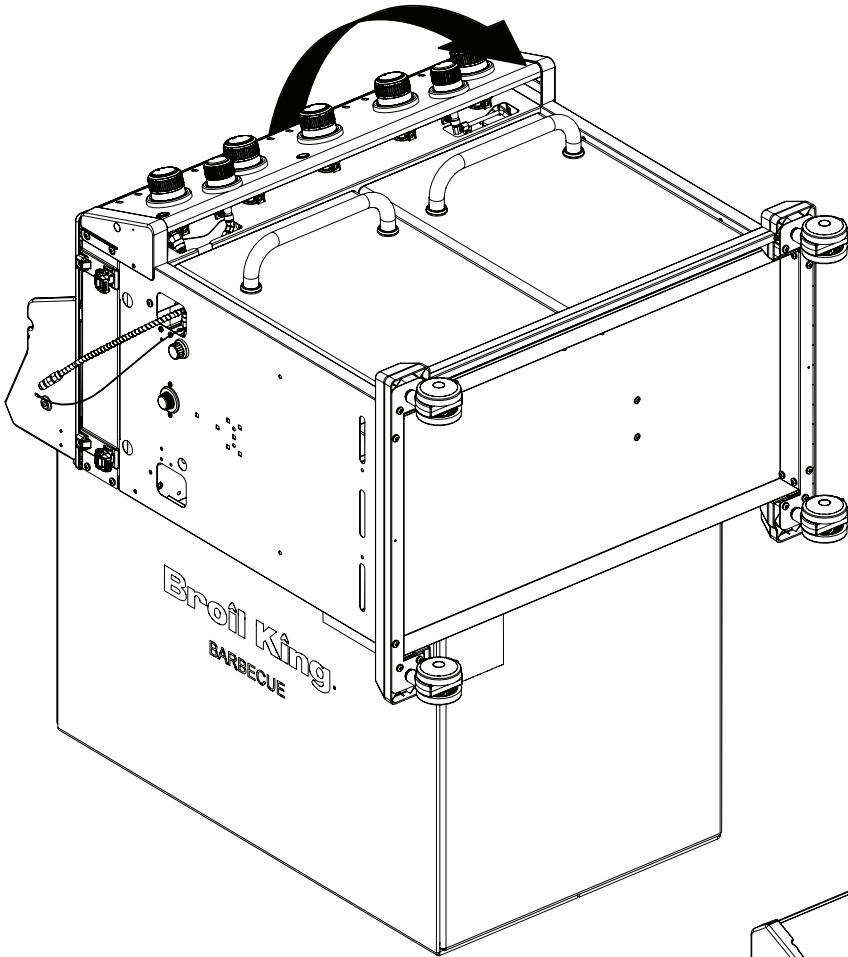




14

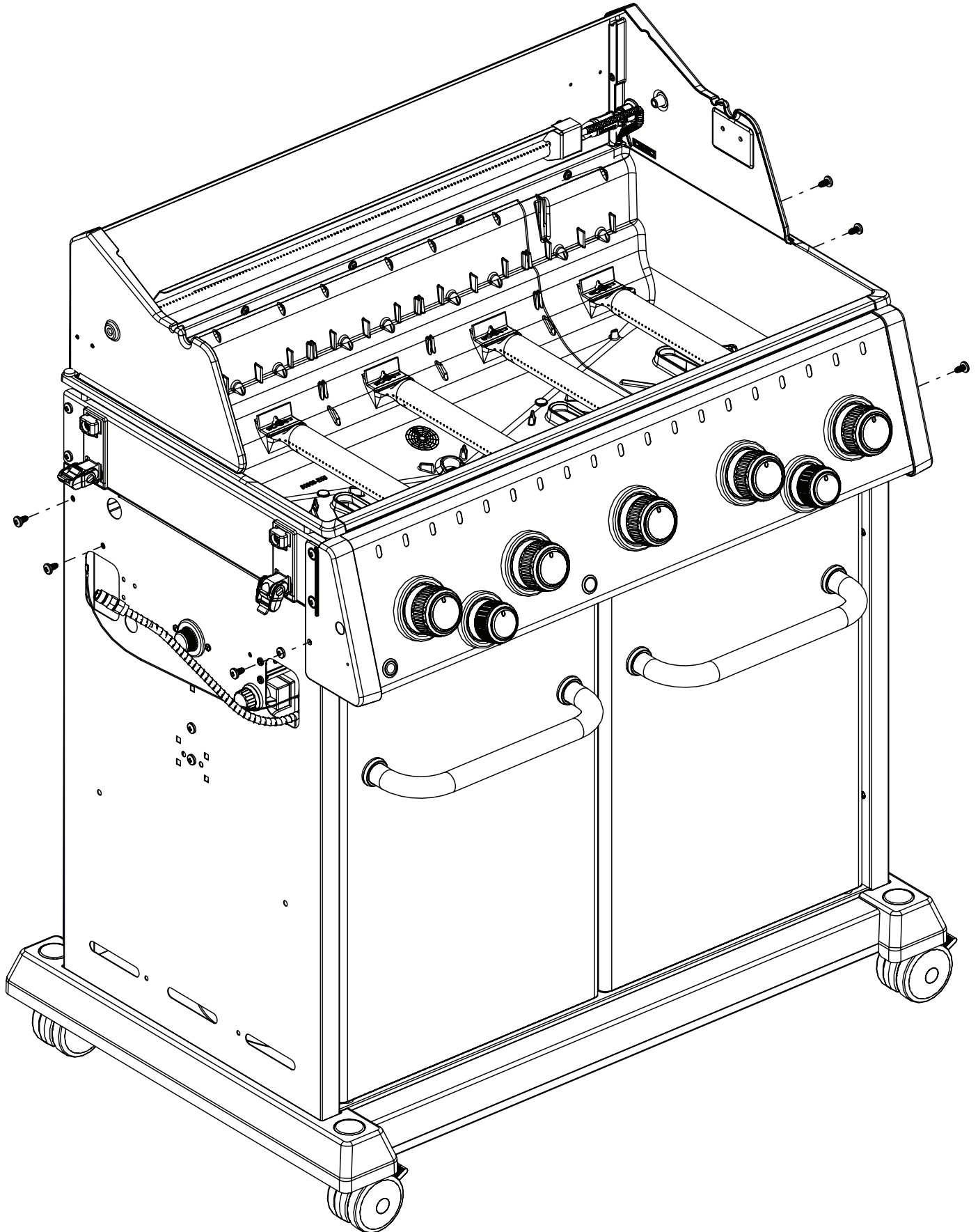
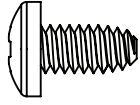
(4)

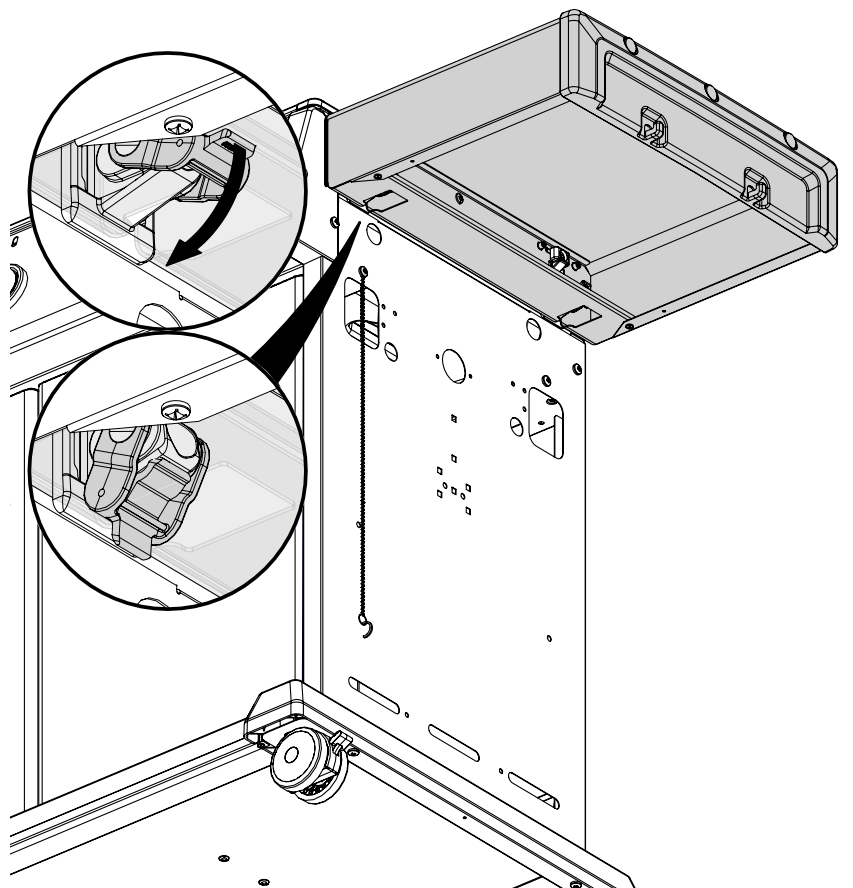
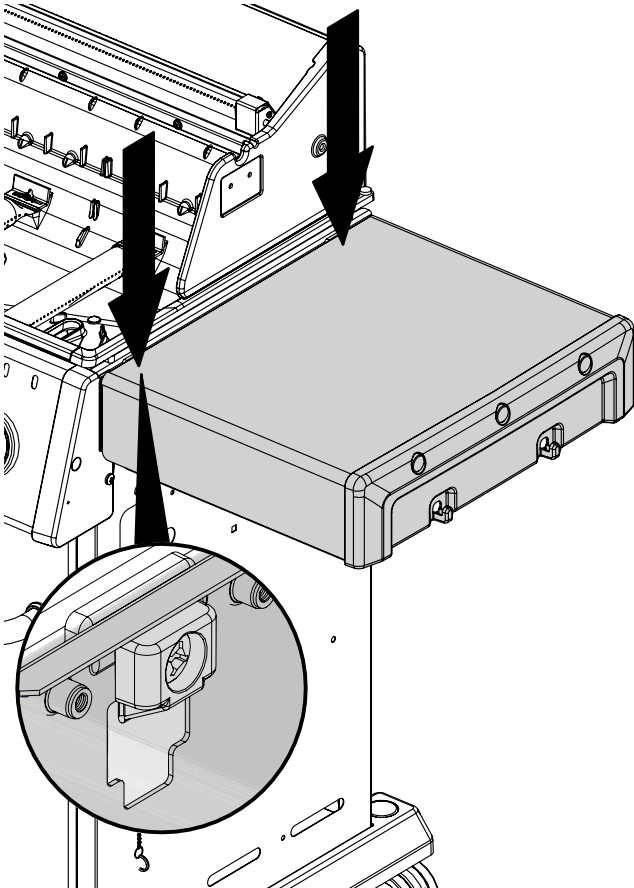
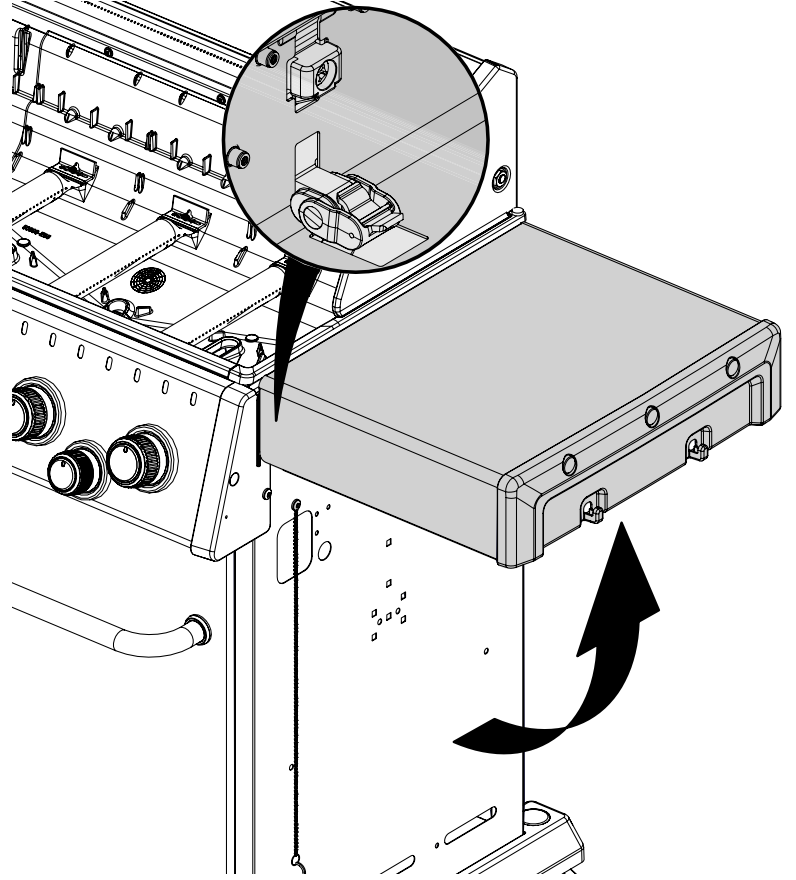
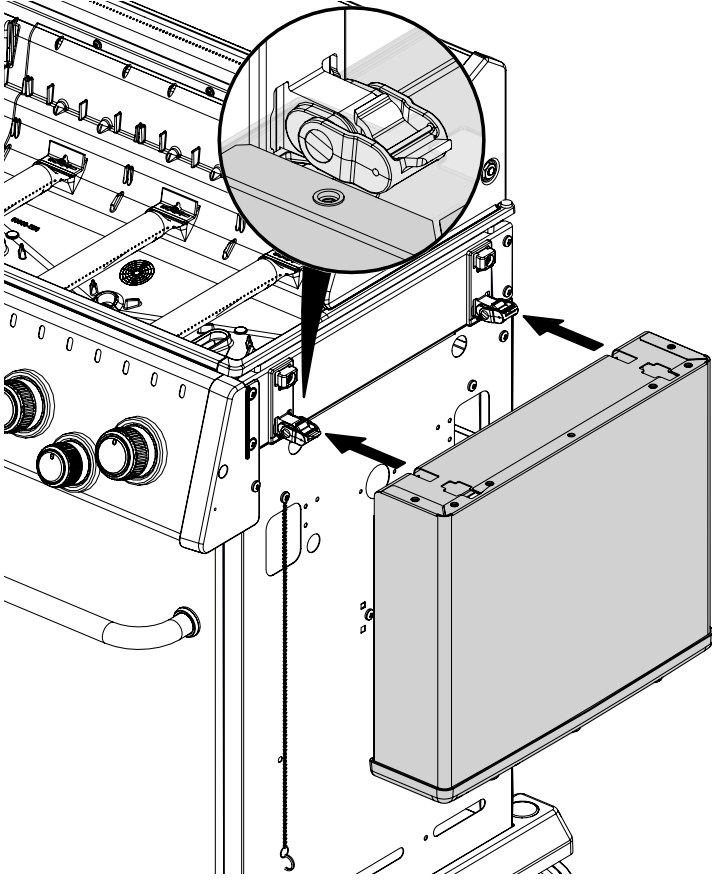




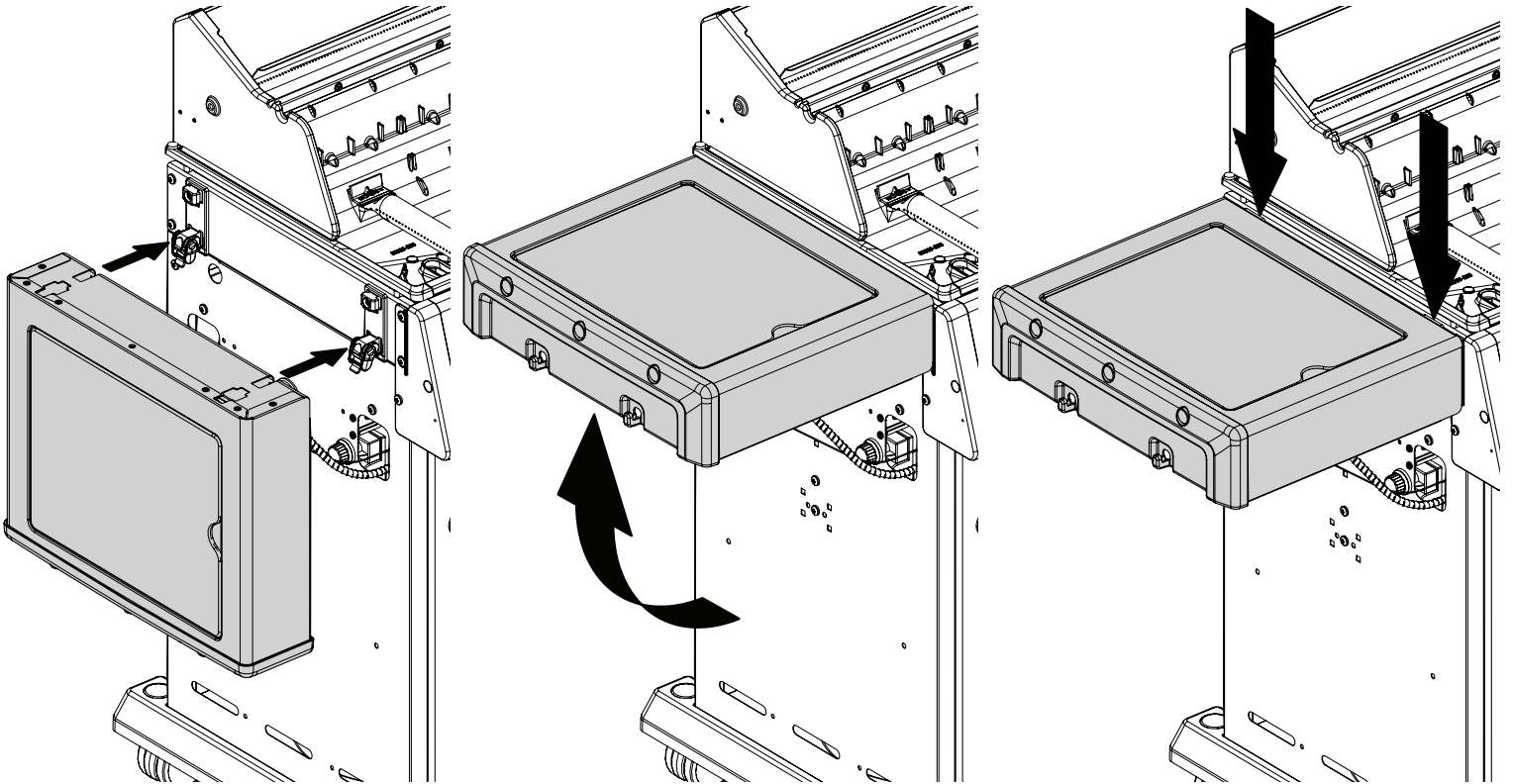
16

(6)

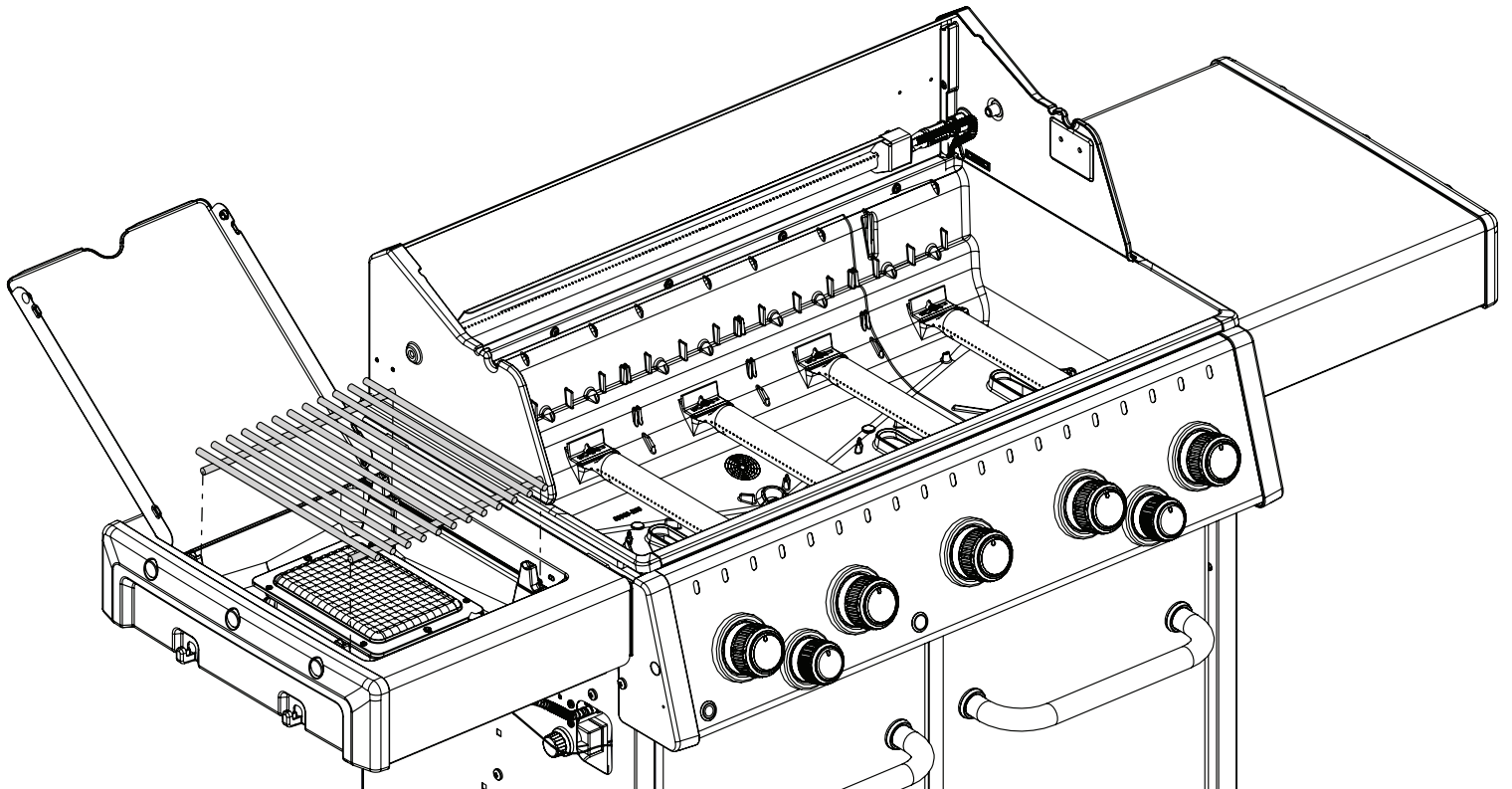


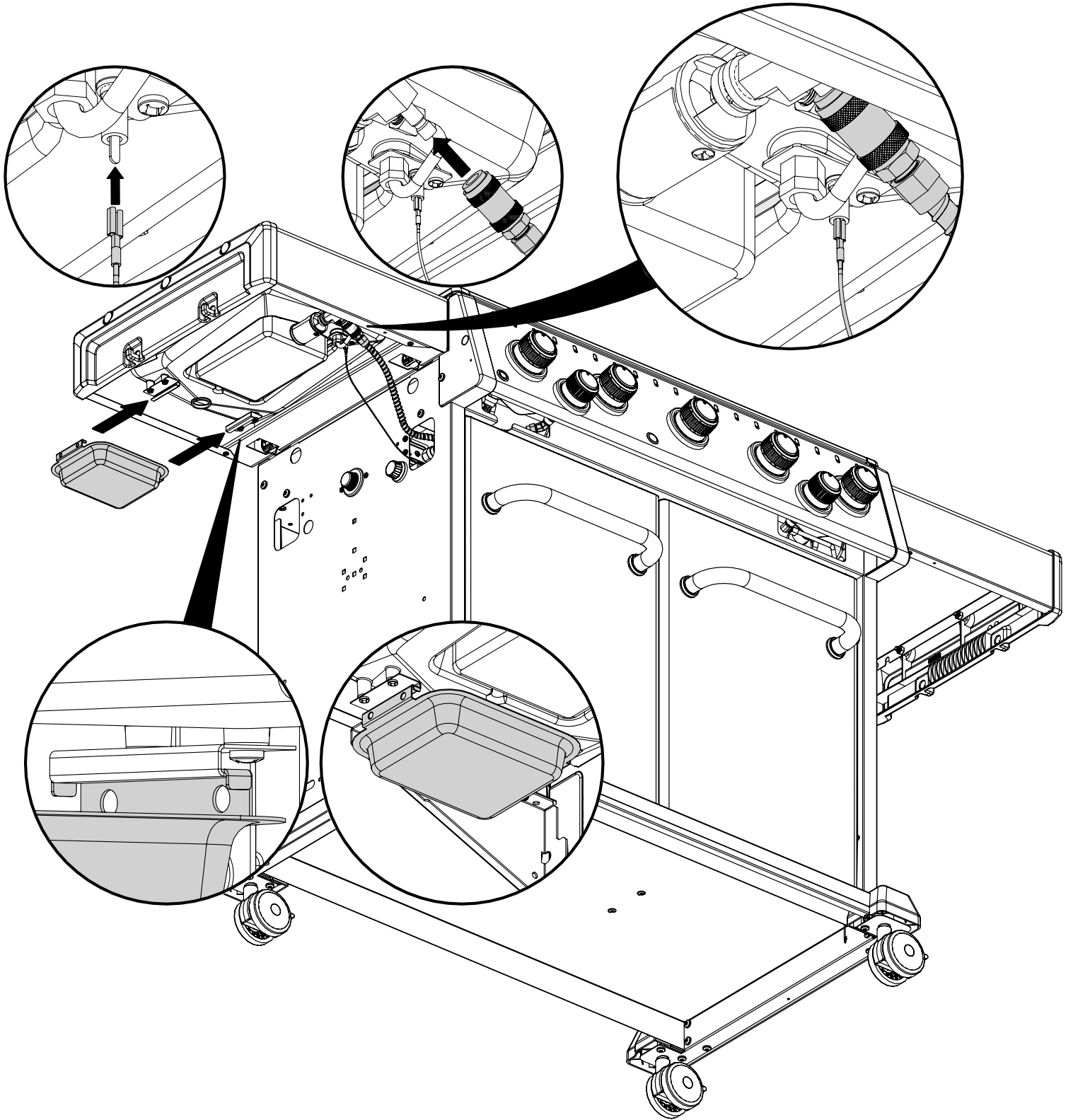


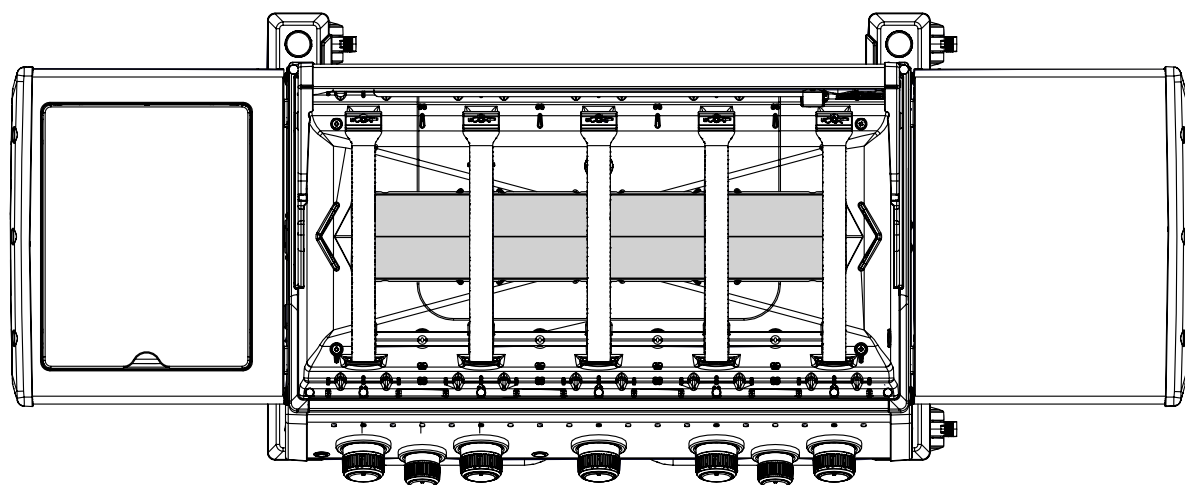
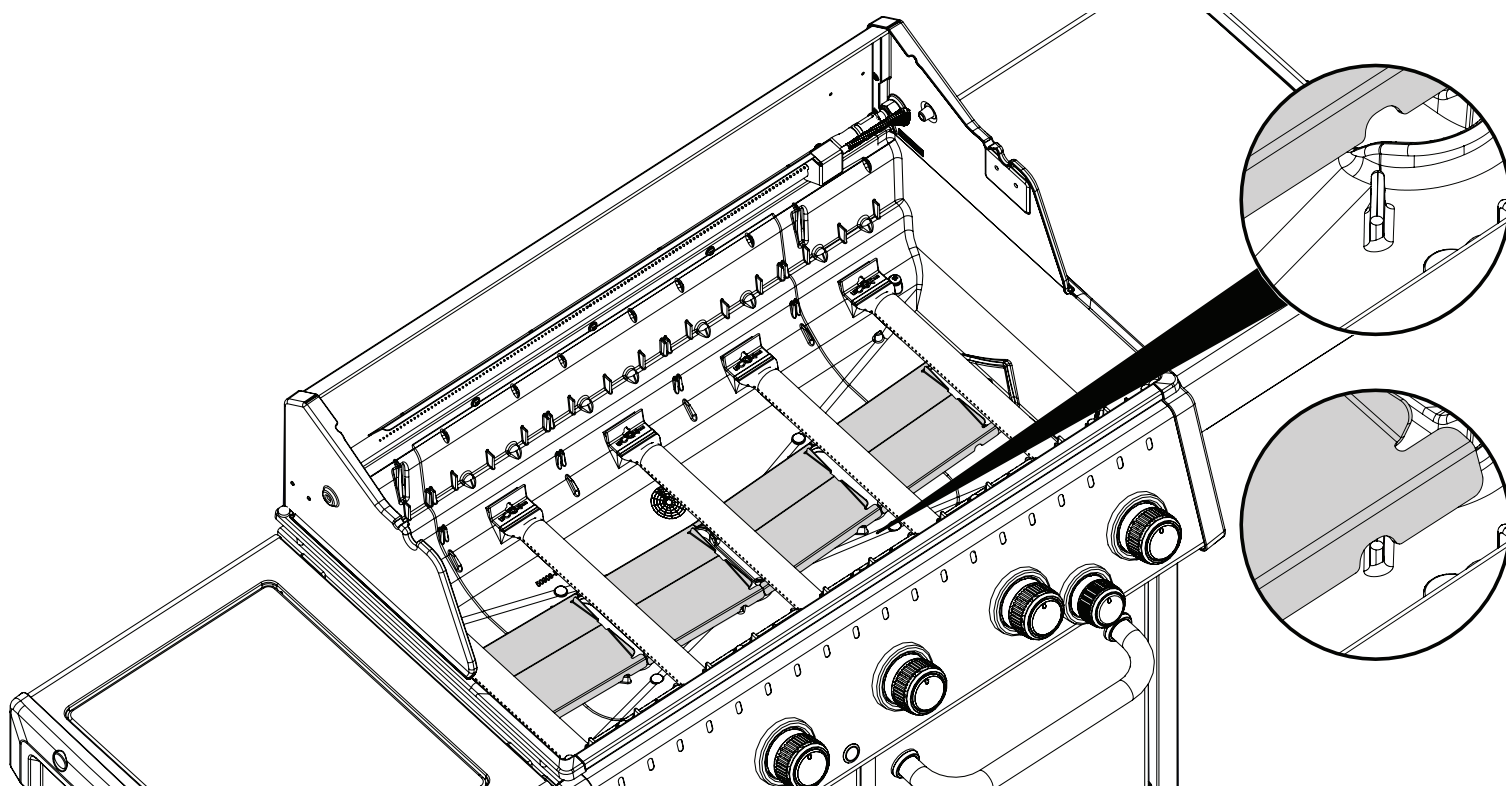
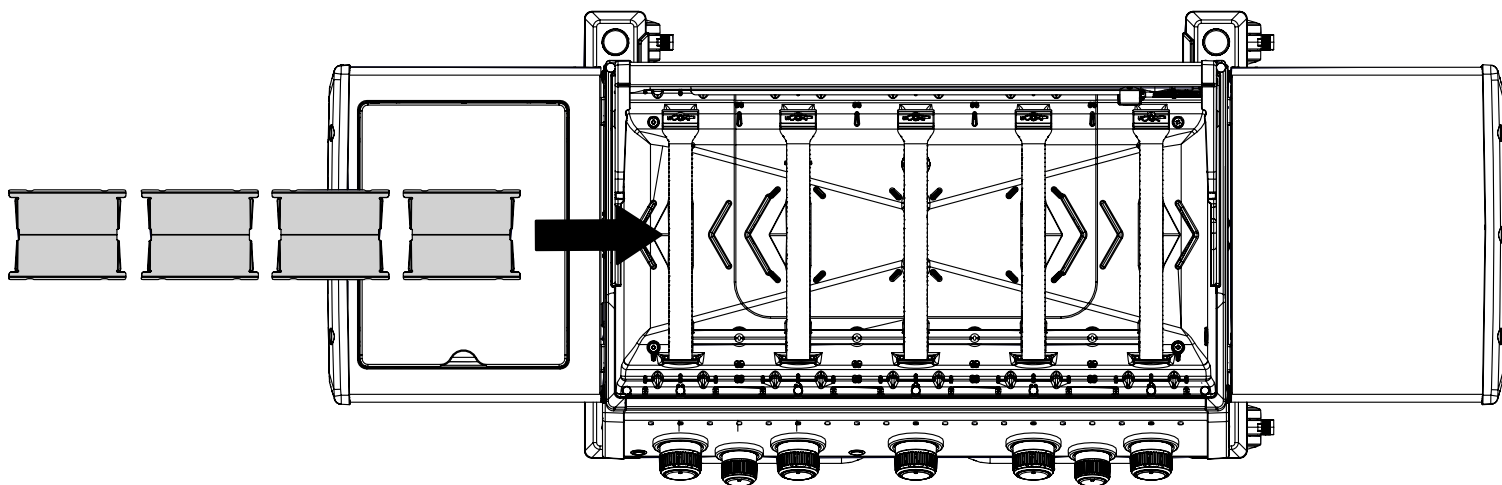
18



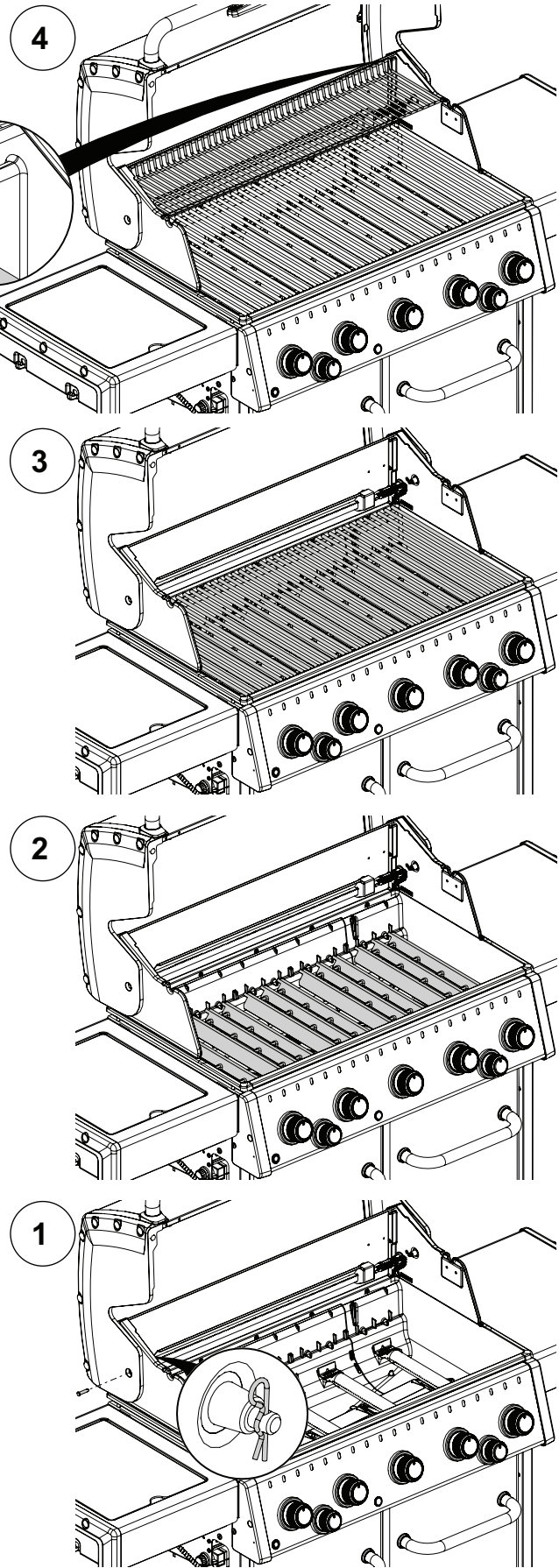
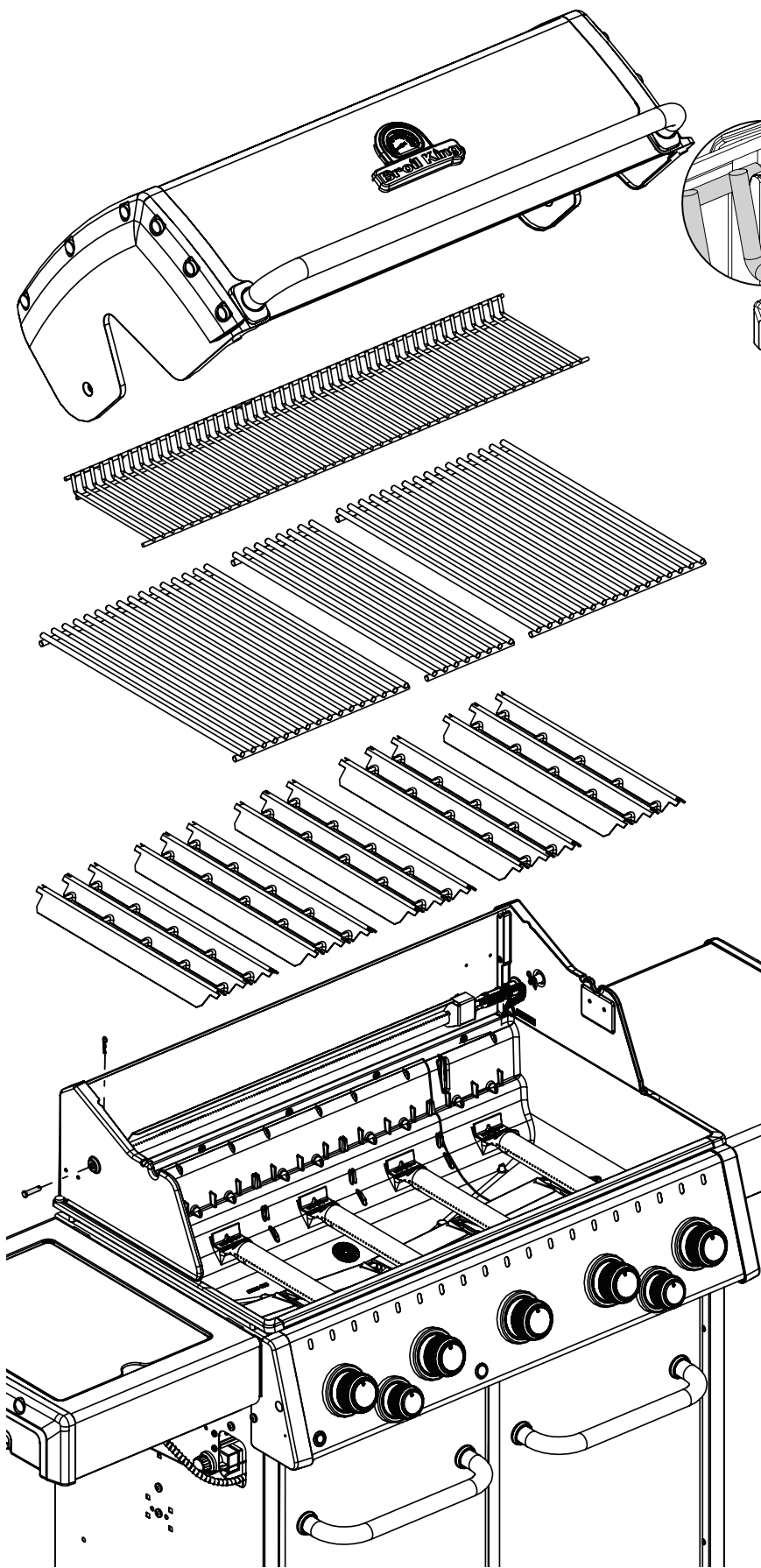
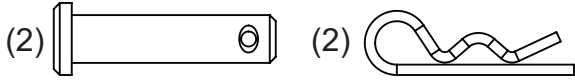
19

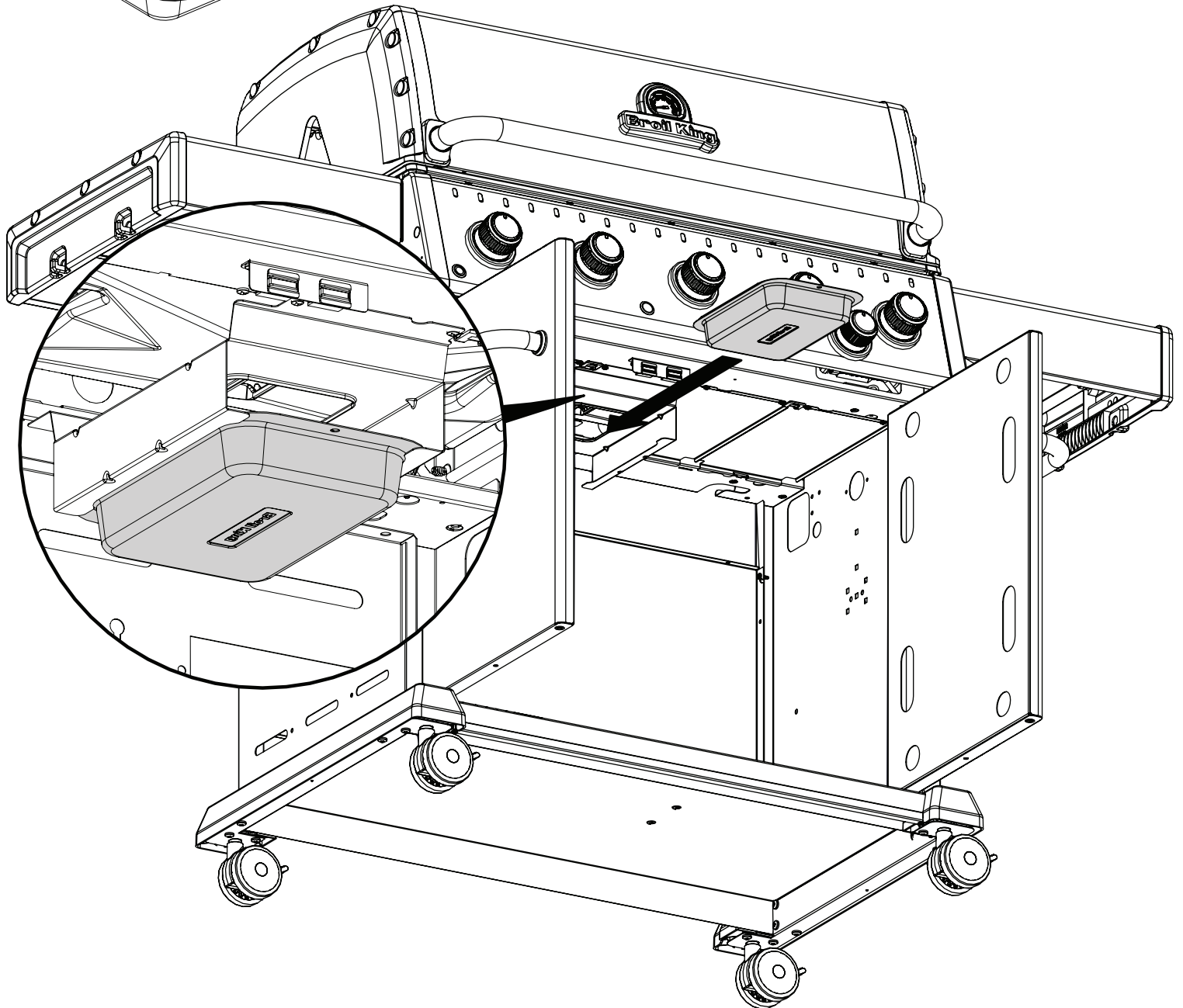
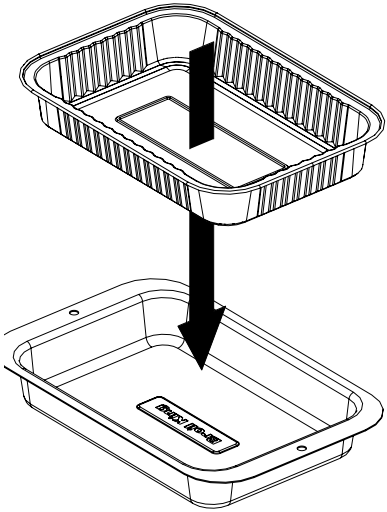






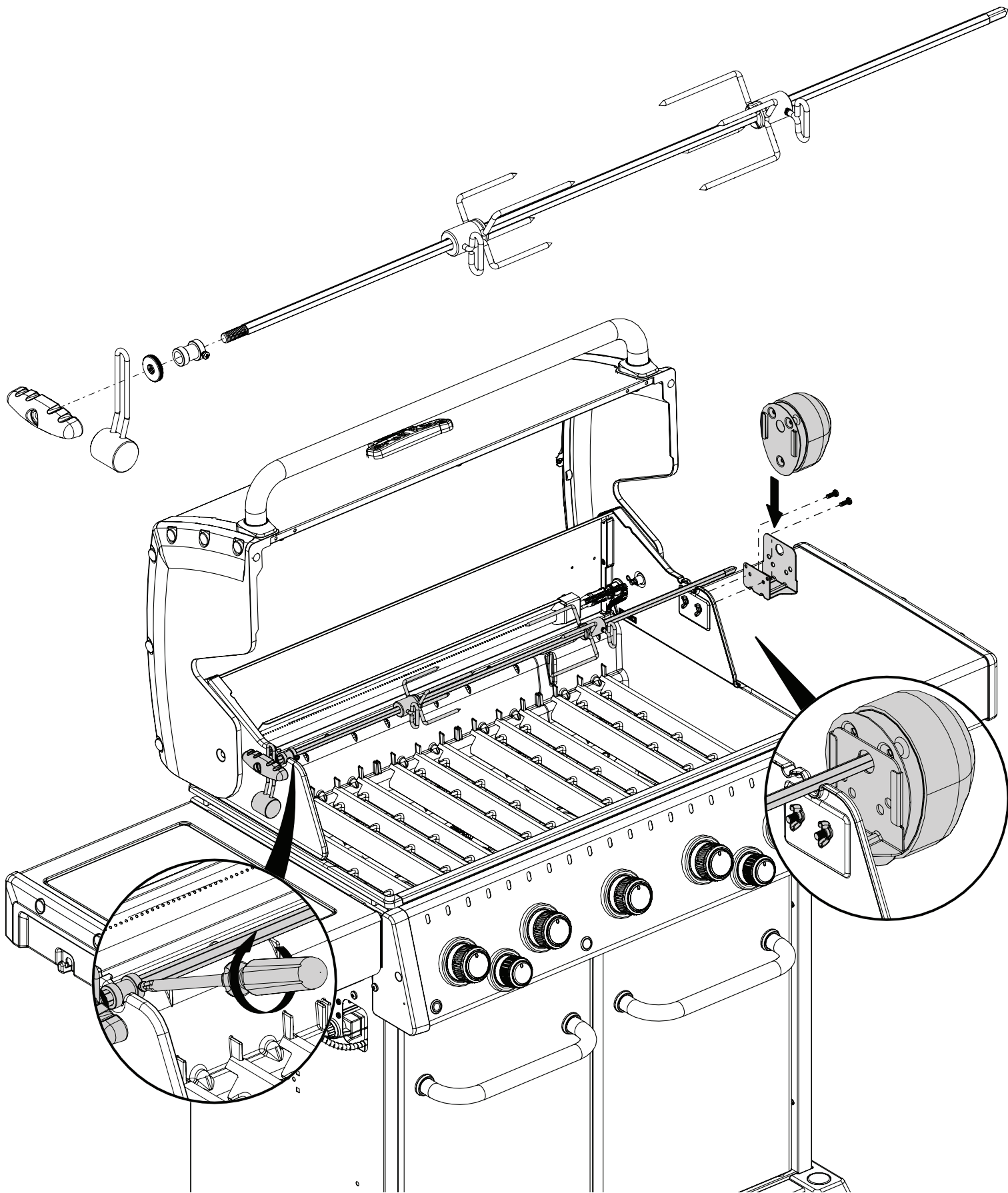
22

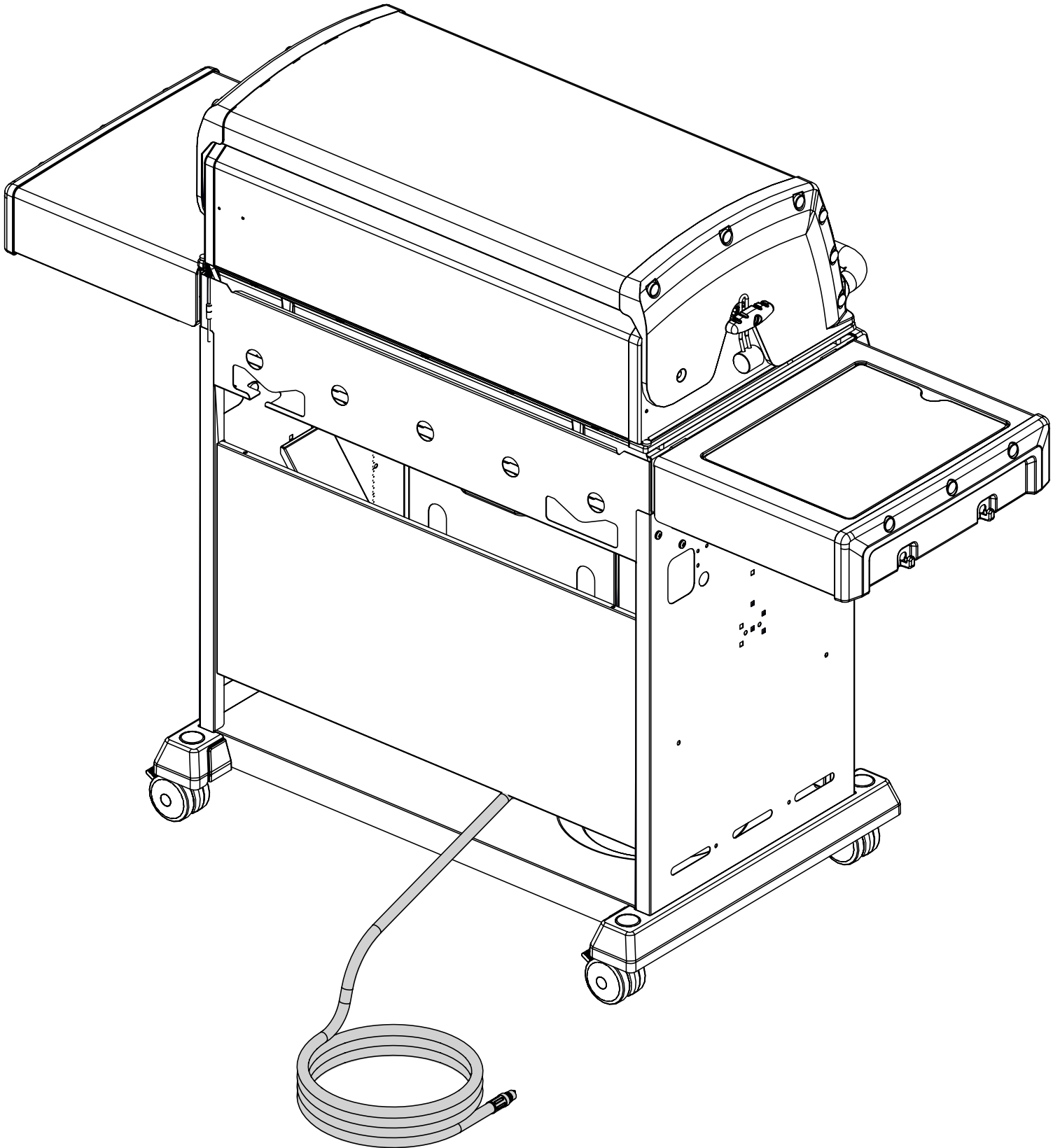




24

- (2) 
- (2) 





PARTS LIST / LISTE DES PIÈCES

| <u>KEY #</u> | <u>ITEM #</u> | <u>DESCRIPTION</u> | <u>DESCRIPTION</u> | <u>8769-47</u> |
|--------------|---------------|--------------------------|--------------------------------------|----------------|
| 1 | 52006-107 | FIREBOX ASSEMBLY | ASSEMBLAGE DE LA CHAMBRE À FEU | 1 |
| 2 | 66006-304 | LID ASSEMBLY | ASSEMBLAGE DU COUVERCLE | 1 |
| 7 | Y-11544S | SCREW - BURNER | VIS - BRÛLEUR | 5 |
| 8 | S21242 | BURNER CLIP | ATTACHE DE CHEVILLE | 5 |
| 18 | 52002-284 | GRID - DOUBLE SS WIRE | GRILLE | 2 |
| 18A | 11141 | GRID - SINGLE SS WIRE | GRILLE | 1 |
| 20 | 52006-992 | GRID - WARMING RACK | GRILLE - MAINTIEN AU CHAUD | 1 |
| 21 | 59806-077IR | CONTROL ASSEMBLY | SOUPAPE | 1 |
| 22 | 22026-903A | COLLECTOR BOX | RECIPIENT | 1 |
| 24 | 10111-16A | CONNECTOR HOSE | TUYAU | 1 |
| 25 | 18631 | BURNER | BRÛLEUR | 5 |
| 26 | 22001-769 | CONTROL KNOB | BOUTON DE CONTROLE | 5 |
| 26A | 22001-669 | CONTROL KNOB | BOUTON DE CONTROLE | 2 |
| 27 | 22002-264 | CONTROL BEZEL | MONTURE DE CONTROLE | 5 |
| 27A | 22001-164 | CONTROL BEZEL | MONTURE DE CONTROLE | 2 |
| 28 | 52006-894 | CONTROL COVER | PANNEAU DE CONTROLE | 1 |
| 29 | Y-12678 | BEZEL STOP | OBTURATEUR | 1 |
| 30 | Y-12674 | KNOB ADAPTER | ADAPTATEUR DE BOUTON | 1 |
| 31 | 52009-918 | EDGE CAP - LH | PAC DE BORD - CÔTE GAUCHE | 1 |
| 32 | 52009-938 | EDGE CAP - RH | PAC DE BORD - CÔTE DROITE | 1 |
| 33 | 10153-93 | QUICK DISCONNECT FITTING | ACCOUPLLEMENT À DÉBRANCHEMENT RAPIDE | 1 |
| 37 | 53139-908 | SHELF BRACKET | SUPPORT DE TABLETTE LATÉRALE | 4 |
| 38 | Y-12620 | SHELF LOCK CLIP | AGRAFE SERRURE | 4 |
| 40 | 10111-K45 | HOSE NATURAL GAS | TUYAU (GAZ NATUREL) | 1 |
| 41 | 10342-E13 | ELECTRODE | ELECTRODE | 1 |
| 42 | 10342-E22 | ELECTRODE | ELECTRODE | 1 |
| 43 | 10342-E38 | ELECTRODE | ELECTRODE | 1 |
| 44 | 52006-007A | ELECTRONIC IGNITOR | ALLUMAGE ÉLECTRONIQUE | 1 |
| 44A | 25070-925 | WIRE - IGNITOR | FIL ÉLECTRIQUE - ALLUMAGE | 1 |
| 44B | 25070-93 | BUTTON - IGNITOR | BOUTON - ALLUMAGE | 1 |
| 48 | 52004-007 | GREASE PAN | CUVETTE A GRAISSE | 1 |
| 49 | 51009-007 | GREASE TRAY | PLATEAU A GRAISSE | 1 |
| 50 | 52060-101 | GREASE TRAY SUPPORT | SUPPORT DE PLATEAU A GRAISSE | 1 |
| 51 | 18431 | FLAV-R-WAVE ® | FLAV-R-WAVE ® | 5 |
| 52 | 52149-004 | GREASE SHIELD | PROTECTION CONTRE LA GRAISSE | 4 |
| 56 | 24006-12A | HANDLE | POIGNÉE | 1 |
| 58 | 54009-936 | BEZEL | MONTURE | 2 |
| 59 | 10081-BK630 | NAMEPLATE | PLAQUE D'IDENTIFICATION | 1 |
| 60 | 18013 | HEAT INDICATOR | INDICATEUR DE CHALEUR | 1 |
| 62 | 53409-138 | SHELF END CAP | PAC DE BORD | 2 |
| 65 | 20005-000 | MATCH LIGHT - STICK | ALLUMETTES | 1 |
| 68 | 51276-214A | DOOR | PORTE | 1 |
| 69 | 51276-234A | DOOR | PORTE | 1 |
| 70 | 21106-13 | HANDLE | POIGNÉE | 2 |
| 71 | 21070-13 | BEZEL | MONTURE | 4 |
| 78 | 56039-214A | MAGNET BRACKET | SUPPORT - CROCHET DE PORTE | 1 |
| 80 | 51189-101A | SIDE PANEL | PANNEAU LATÉRALE | 2 |
| 82 | 51606-104 | BASE TRIM | GARNITURE DE BASE INFÉRIEURE | 1 |
| 87 | Y-11793 | NUT 1/4-20 | ÉCROU 1/4-20 | 6 |
| 88 | 51386-201 | PANEL - REAR | PANNEAU - ARRIÈRE | 1 |
| 90 | 51626-171 | BASE | TABLETTE INFÉRIEURE | 1 |
| 99 | 32001-151 | CASTOR BRACKET CAP | CASQUETTE | 4 |
| 100 | 51639-108 | CASTOR BRACKET | SUPPORT DE ROULETTE | 2 |
| 102 | 10892-286 | CASTOR | ROULETTES | 4 |
| 113 | 10342-T14 | SIDE BURNER ELECTRODE | ELECTRODE | 1 |
| 114 | 53150-614 | SHELF - RIGHT | PLANCHETTE LATÉRALE | 1 |
| 115 | 53150-654 | SHELF - SB - LEFT | PLANCHETTE LATÉRALE | 1 |

PARTS LIST / LISTE DES PIÈCES

| <u>KEY #</u> | <u>ITEM #</u> | <u>DESCRIPTION</u> | <u>DESCRIPTION</u> | <u>8769-47</u> |
|--------------|---------------|---------------------------|-----------------------------|----------------|
| 123 | Y-12117 | BUSHING | DOUILLE | 2 |
| 125 | 23000-253 | SIDE BURNER COVER | COUVERCLE LATÉRAL | 1 |
| 126 | 18677 | SIDE BURNER | BRULEUR DE COTE | 1 |
| 127 | 18670 | SCREEN | ÉCRAN | 1 |
| 128 | 23009-951 | GRID | GRILLE | 1 |
| 129 | Y-11990 | HEX NUT | ÉCROU | 1 |
| 130 | 27906-354 | BURNER ROTISSERIE | BRÛLEUR DE TOURNEBROCHE | 1 |
| 133 | S15278 | ROTISSERIE HADWARE | MATÉRIEL DE RÔTISSERIE | 1 |
| 137 | S15259 | SPIT ROD | BROCHETTE | 1 |
| 138 | S15287 | 4 PRONG FORKS | FOURCHETTE A 4 FOURCHON | 2 |
| 139 | 20006-000 | ROTISSERIE BRACKET | SUPPORT | 1 |
| 141 | Y-11559 | BOLT 1/4-20 X 1 | BOULON 1/4-20 X 1 | 2 |
| 142 | S21125 | SCREW #8 X 1/2 | VIS #8 X 1/2 | 2 |
| 144 | Y-12220 | BUSHING | DOUILLE | 1 |
| 145 | S21235 | HINGE PIN | GOUPILLE DE CHARNIÈRE | 2 |
| 146 | S21233 | HITCH PIN CLIP | ATTACHE DE CHEVILLE | 2 |
| 147 | Y-11231 | LID BUMPER | BUTOIR DU COUVERCLE | 4 |
| 148 | 10240-20 | DOOR PIN | GOUPILLE DE LA PORTE | 2 |
| 149 | Y-11551 | SHOULDER SCREW 1/4-20 X 1 | GOUPILLE DE LA PORTE | 2 |
| 150 | Y-12124 | DOOR PIN CAP | CAP PORTE PIN | 2 |
| 151 | Y-12857 | WASHER | RONDELLE | 4 |
| 152 | Y-12229 | MAGNET | AIMANT | 1 |
| 153 | Y-12223 | MAGNET - PUSH IN | AIMANT | 2 |
| 155 | S21124 | SCREW #8 X 1/2 | VIS #8 X 1/2 | 8 |
| 157 | Y-12835 | SCREW #6-32 X 1/4 | VIS #6-32 X 1/5 | 2 |
| 158 | Y-12641 | SCREW #8-32 X 1/2 | VIS #8-32 X 1/2 | 2 |
| 159 | S21127S | SCREW #8-32 X 7/16 | VIS #8-32 X 7/16 | 14 |
| 160 | Y-29304 | BOLT #10-24 X 3/8 | BOULON #10-24 X 3/8 | 10 |
| 161 | Y-12310 | SCREW 1/4-20 X 3/4 | VIS 1/4-20 X 3/4 | 12 |
| 162 | S21084 | SCREW #14 X 5/8 | VIS #14 X 5/8 | 8 |
| 167 | Y-11981 | BOLT 1/4-20 X 1 | BOULON 1/4-20 X 1 | 6 |
| 169 | S21061 | WING NUT | ECROU PAILLON | 2 |
| 171 | S15236 | MOTOR | MOTEUR | 1 |
| 172 | S15509 | ELECTRODE | ELECTRODE | 1 |
| 173 | S21362 | SPRING | RESSORT | 1 |
| 180 | S35095 | SCREW #10-24 X 5/8 | VIS #10-24 X 5/8 | 2 |
| 181 | 25030-73 | WIRE - BATTERY PACK | LE FIL - TRANSFORMATEUR | 1 |
| 181A | 25070-95 | LIGHT SWITCH | COMMUTATEUR LEGER | 1 |
| 184 | 20026-809 | BATTERY PACK | BATTERIE | 1 |
| 186 | Y-12865 | SCREW 1/4-20 X 3/4 | VIS 1/4-20 X 3/4 | 10 |
| 190 | 25020-83 | WIRE - LED LIGHT | DIODES ÉLECTROLUMINESCENTES | 1 |
| 191 | 25020-84 | WIRE - LED LIGHT | DIODES ÉLECTROLUMINESCENTES | 1 |

