

Broil King®

OWNER'S MANUAL

FOR USE WITH NATURAL GAS



ANSI Z21.89 2013 / CSA 1.18-2013

CONTENTS

SAFETY..... 2

INSTALLATION 3

NATURAL GAS..... 4

GAS SUPPLY HOSE 5

LEAK TESTING 6

VENTURI TUBES..... 6

LIGHTING..... 7

OPERATION 8

RECIPES 9

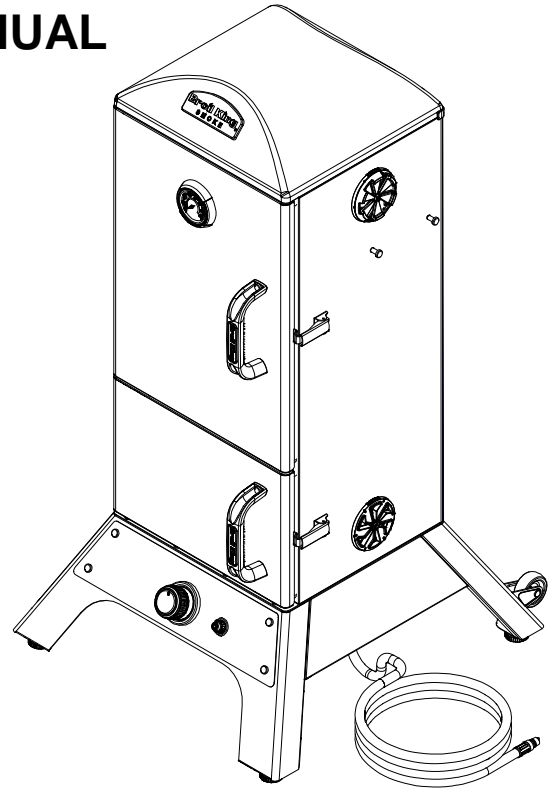
MAINTENANCE 10

TROUBLE SHOOTING 11

WARRANTY 12

MANUEL UTILISATEUR 13

MANUAL DEL USUARIO 25



PLEASE RECORD YOUR MODEL NUMBER, SERIAL NUMBER AND DATE OF PURCHASE HERE.

This information can be found on the black and silver OMC caution sticker on the back or side of your gas grill.

Model Number					-			
Serial Number			-					
Date of Purchase		dd	/		mm	/		yyyy

This instruction manual contains important information necessary for the proper assembly and safe use of the appliance. Read and follow all warnings and instructions before assembling and using the appliance. Follow all warnings and instructions when using the appliance. Keep this manual for future reference.

1-800-265-2150
info@omcbbq.com

Onward
MANUFACTURING COMPANY LIMITED
SINCE 1906
585 KUMPF DRIVE
WATERLOO, ONTARIO, CANADA
N2V 1K3

40094-E40NG REV A 02/17

SAFETY

Your new Broil King gas smoker is a safe, convenient appliance when assembled and used properly. As with all gas-fired products, however, certain safeguards must be observed. **Failure to follow these safeguards may result in serious injury or damage.** If you have questions concerning assembly or operation, consult your dealer, gas appliance specialist, gas company or our direct customer service line at 1-800-265-2150. / info@omcbbq.com

DANGER

IF YOU SMELL GAS:

- **SHUT OFF GAS TO THE APPLIANCE.**
- **EXTINGUISH ANY OPEN FLAME.**
- **OPEN SMOKER DOORS.**
- **IF ODOR CONTINUES, KEEP AWAY FROM THE APPLIANCE AND IMMEDIATELY CALL YOUR FIRE DEPARTMENT.**

FAILURE TO FOLLOW THESE INSTRUCTIONS COULD RESULT IN FIRE OR EXPLOSION WHICH COULD CAUSE PROPERTY DAMAGE, PERSONAL INJURY OR DEATH.

DANGER

- **NEVER OPERATE THIS APPLIANCE UNATTENDED.**
- **NEVER OPERATE THIS APPLIANCE WITHIN 10FT (3M) OF ANY STRUCTURE, OR COMBUSTIBLE MATERIAL.**
- **NEVER OPERATE THIS APPLIANCE WITHIN 25FT (7.5M) OF ANY FLAMMABLE LIQUID.**
- **IF FIRE SHOULD OCCUR, KEEP AWAY FROM THE APPLIANCE AND IMMEDIATELY CALL YOUR FIRE DEPARTMENT. DO NOT ATTEMPT TO EXTINGUISH AN OIL OR GREASE FIRE WITH WATER.**

FAILURE TO FOLLOW THESE INSTRUCTIONS COULD RESULT IN FIRE, EXPLOSION OR BURN HAZARD, WHICH COULD CAUSE PROPERTY DAMAGE, PERSONAL INJURY OR DEATH

CAUTION

- **FOR OUTDOOR USE ONLY.**
 - **THIS APPLIANCE MUST NOT BE OPERATED UNATTENDED.**
 - **SPECIAL CARE MUST BE TAKEN TO KEEP SMALL CHILDREN AND PETS WAY FROM HEATED SURFACES.**
 - **DO NOT MOVE THE APPLIANCE WHEN IN USE.**
- Use caution when handling or transporting this product. Metal edges can be hazardous. Use appropriate gloves when lifting or handling. Before lifting, remove side shelves, grids and grates.

ELECTRICAL CAUTION

1. If any accessory is used on this appliance that requires an external electrical power source, the accessory when installed must be electrically grounded in accordance with local codes. In the absence of local codes, the following standards apply:

(U.S.A.) ANSI/NFPA No. 70-Latest Edition
and

(Canada) CSA C22.1 Canadian Electrical Code

2. Do not cut or remove the grounding prong from the plug.
3. Keep the electrical supply cord and fuel supply hose away from any heated surface.

PROPOSITION 65 WARNING

Handling the brass material on this product exposes you to lead, a chemical known to the state of California to cause cancer, birth defects or other reproductive harm. **WASH YOUR HANDS AFTER HANDLING THIS PRODUCT.**

WARNING

Fuels used in gas or oil fired appliances, and the products of combustion of such fuels, contain chemicals known to the State of California to cause cancer, birth defects or other reproductive harm. "This warning is issued pursuant to California Health and Safety Code Sec. 25249.6

INSTALLATION

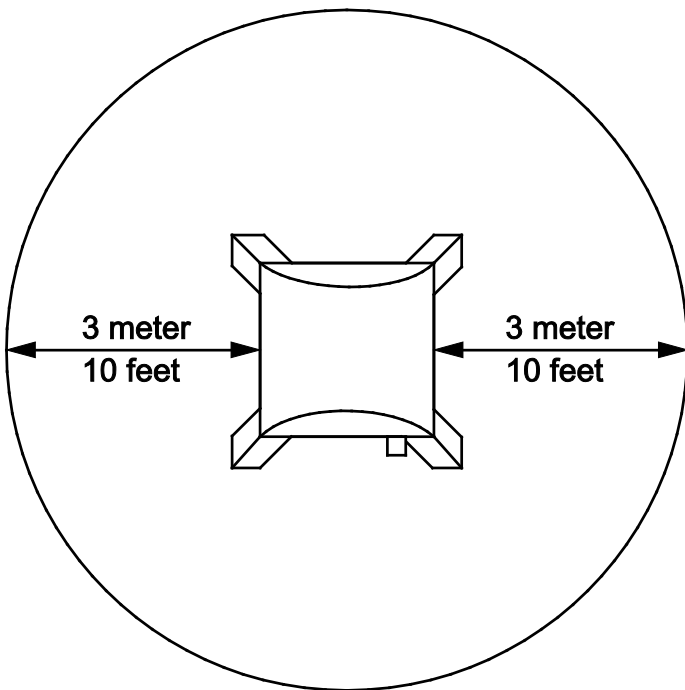
1. In the U.S.A., this appliance must be installed in accordance with the local code and the relevant national code:

ANSI Z223.1/NFPA 54, National Fuel Gas Code
ANSI/NFPA 58, Storage and Handling of Liquefied Petroleum Gases

2. In Canada, this appliance must be installed in accordance with the local code and the relevant CSA standards:

CSA-B149.1 Natural Gas and Propane installation Code
CSA-B149.2 Propane Storage and Handling

3. The appliance must be located away from combustible surfaces by at least 3m / 10feet from each side, and 3m / 10feet from the rear.



4. Do not operate this appliance under any overhead roof construction or foliage.
5. This appliance is for OUTDOOR USE ONLY, DO NOT operate in garage, shed, balcony or other such enclosed areas.
6. DO NOT restrict the flow of air to the appliance.
7. Keep the area surrounding the appliance free of combustible materials, gasoline, and all flammable liquids and vapors.
8. This appliance is not intended to be installed in, or on, recreational vehicles and/or boats.
9. Keep the ventilation opening(s) of the cylinder enclosure free and clear from debris.
10. Keep the fuel supply hose away from any heated surface(s)
11. Not intended for commercial use.

NATURAL GAS

1. This barbecue is designed for use with natural gas. Do not use with liquid propane (bottled gas). The valves, orifices, and hoses are for natural gas only.
2. Do not use with charcoal.
3. A shut off valve must be used on the gas supply piping system.
4. When the appliance is not in use, turn off the natural gas supply at the shut off valve.
5. The appliance is designed to operate at a regulated pressure of 7 inches water column (W.C.).

STORAGE

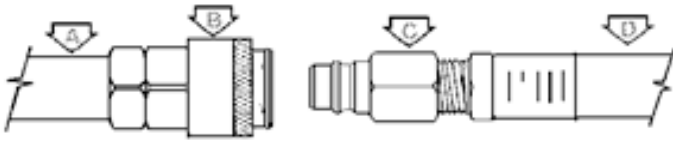
1. The gas must be turned off at the natural gas supply when the barbecue is not in use.
2. When the barbecue is stored indoors, the gas supply must be disconnected.

GAS SUPPLY TESTING

1. The outdoor gas grill and its individual shutoff valve must be disconnected from the gas supply piping system during any pressure testing of that system at test pressures in excess of 1/2 psig (3.5kPa).
2. The outdoor gas grill must be isolated from the gas supply piping system by closing its individual manual shut off valve during any pressure testing of the gas supply piping system at test pressures equal to or less than 1/2 psig (3.5kPa).

GAS SUPPLY HOSE

1. On models supplied with an extension hose, the hose assembly is specifically designed for your model. No modifications or additions should be attempted. Hose and hose couplings comply with CGA Standard CAN 1.83.
2. On models equipped with the "quick disconnect" coupling, close "shut off valve" before disconnecting coupling.
3. "Quick disconnect" coupling must be kept clean and free of dirt and debris.
4. Protect the hose from dripping grease and do not allow the hose to touch any hot surface.
5. Inspect the hose at least once per year. If the hose is cracked, cut, abraded or damaged, the appliance must not be used.
6. For replacement of hose assembly, contact your dealer or approved service centre.



- A. GAS SUPPLY PIPING
- B. QUICK DISCONNECT COUPLING
- C. ADAPTER FITTING
- D. EXTENSION HOSE ASSEMBLY

LEAK TESTING

LEAK TESTING

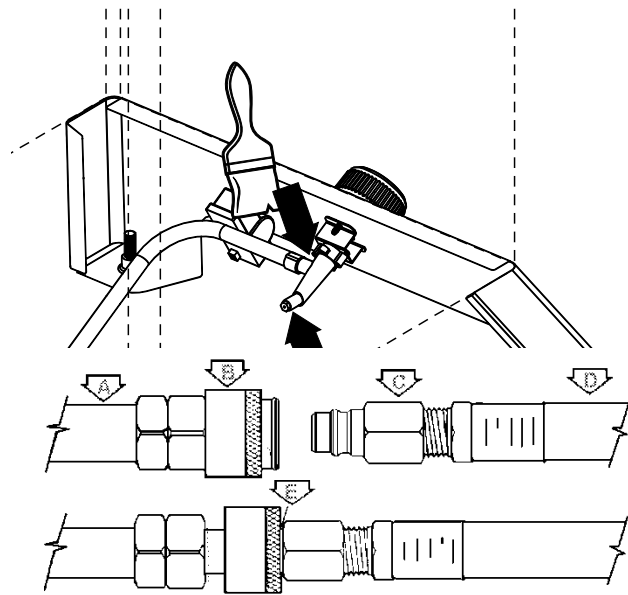
All factory-made connections have been rigorously tested for gas leaks. However, shipping and handling may have loosened a gas fitting.

AS A SAFETY PRECAUTION:

- Test all fittings for leaks before using your gas smoker.
- Test for leaks every time you connect a gas fitting.
- Do not smoke at any time while testing.
- Never test for leaks with a lit match or open flame.
- Test for leaks outdoors.

TO TEST FOR LEAKS:

1. Extinguish any open flame or cigarettes in the area.
2. Be sure that the gas supply and gas smoker valves are "OFF."
3. Prepare a soap solution of one part water, one part liquid detergent.
4. Open gas shut off valve.
5. Brush the soap solution on each connection.



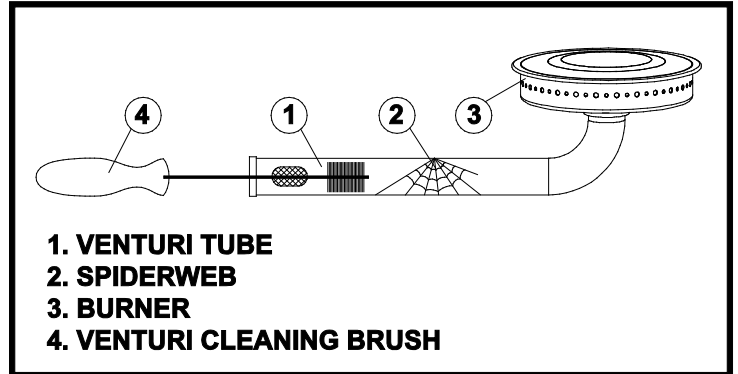
- A. GAS SUPPLY PIPING
- B. QUICK DISCONNECT COUPLING
- C. ADAPTER FITTING
- D. EXTENSION HOSE ASSEMBLY
- E. LEAK TEST HERE

6. A leak is identified by a flow of bubbles from the area of the leak.
7. If a leak is detected, close the gas supply "shut-off" valve, tighten the connection and retest.
8. If the leak persists, contact your gas smoker dealer for assistance. Do not attempt to operate appliance if a leak is present.

VENTURI TUBES

VENTURI TUBES

Always keep venturi tubes clean. Blockages in the venturi tubes caused by spiders, insects and nests can cause a flashback fire. In fact, although the smoker may still light, the backed up gas can ignite and cause a fire around the venturi tubes at the control panel.

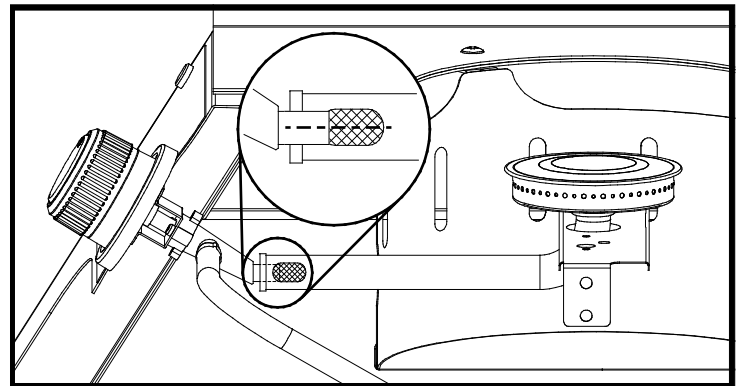


If a flashback fire occurs, turn off gas at the source immediately. Inspect and clean the venturi tubes (main burner, side burner, rear burner) if any of the following symptoms occur:

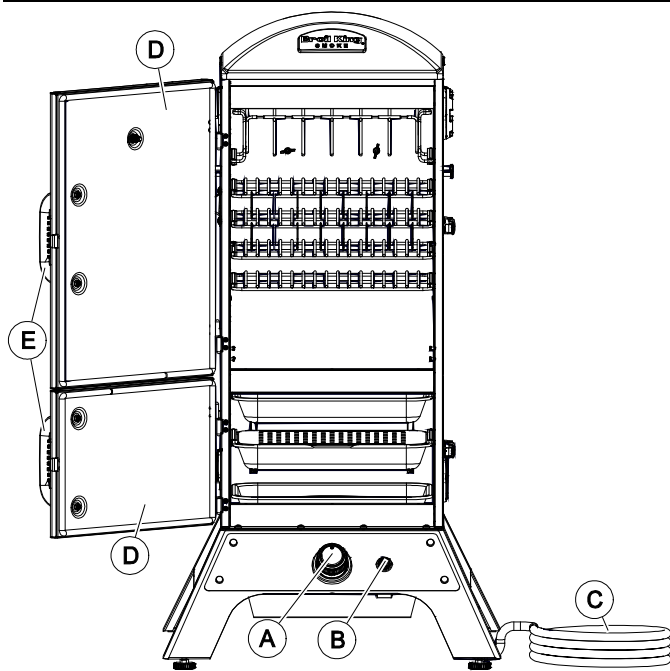
1. You smell gas.
2. Your smoker does not reach temperature.
3. Your gas smoker heats unevenly.
4. The burners make popping noises.

INSPECTING & CLEANING VENTURI TUBES

1. Turn off gas by closing the gas supply valve.
2. When the smoker is cool, remove the burner fasteners. Proceed to lift the burner from the burner housing.
3. Clean the venturi tubes with a pipe cleaner or venturi cleaning tool (Accessory #77310).
4. Lower the burner into position in the burner housing, making sure that the venturi tubes are correctly aligned and fitted on the orifices.
5. Secure burners with burner fasteners.



LIGHTING



- A. BURNER CONTROL
- B. IGNITOR
- C. NATURAL GAS HOSE
- D. DOOR
- E. HANDLE

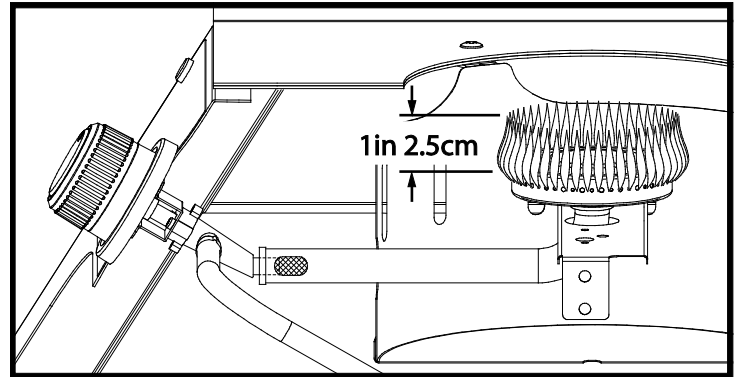
LIGHTING INSTRUCTIONS

1. The appliance must be assembled as per the assembly instructions.
2. Ensure there are no gas leaks in the gas supply system. See: "Leak Testing." (page 6)
3. Ensure that the venturi tubes are properly located over the gas valve orifice. (see Venturi diagram, page 6)
4. Ensure that the Main Burner ignition wire is connected.
5. Carefully review all instructions on the information plate attached to the smoker.
6. **WARNING:** Always open the door before lighting and do not lean over the smoker while lighting.
7. Set control knobs to "OFF" and turn on the gas supply.

LIGHTING THE BURNER

- a. Open the smoker door and leave open until lit.
- b. Check that the battery has been installed in the electronic ignition.
- c. Push and turn the burner control knob to "HIGH."
- d. Push and hold down the ignitor button or use match to light.
- e. Burner should ignite within 5 seconds; turn off gas source immediately if ignition does not occur in this timeframe. To light burner with a match proceed below to step f
- f. Attach match to the match light chain and light.
- g. Lower lit match to the burner.
- h. Push and turn the burner control knob to "HIGH."
- i. Burner should ignite within 5 seconds.

CAUTION - Check your gas smoker after lighting. All burner ports should show a 1 in / 2.5cm flame on "HIGH."



If any of the following symptoms occur there is probably a blockage in the venturi tubes. Shut off gas at once and clean the venturi tubes. See "Venturi Tubes." (page 6)

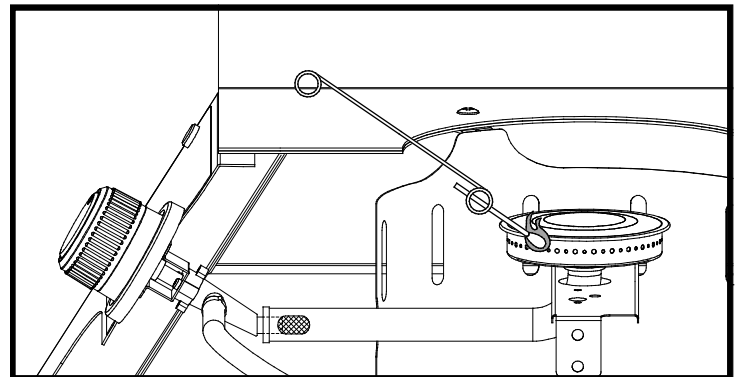
1. You smell gas.
2. A flashback fire occurs.
3. Your Smoker heats unevenly.
4. The burner make popping noises.

IF BURNER DOES NOT IGNITE OR BURNER EXTINGUISHES:

1. Push and turn control knob to "OFF." Wait 5 minutes then try again with control knob set at "MEDIUM."
2. If the burner will not light, see "Troubleshooting" on page 11. If problems persist, do not attempt to operate the appliance; contact OMC, your dealer or an approved service center.

SHUTDOWN:

1. Turn off gas supply.
2. Turn control knobs to "OFF."



Match lighting the burner using the match light chain.

OPERATION

GETTING STARTED

Before cooking on your gas smoker for the first time, remove the grates, smoker pan, and water pan; wash thoroughly in warm, soapy water. Rinse completely and dry with a soft towel - don't air dry, and don't ever put in dishwasher.

Initial Burn-in - Before you start to cook on your Broil King® Smoke™ Vertical Propane Smoker you have to burn off the protective residues from manufacturing. Light your smoker, as outlined on page 7: "lighting your smoker", and leave the burner on high for a minimum of 30 minutes. This will burn off any of the protective coating from manufacturing and begin the process of smoke-curing the internal components of the smoker. The more you use your smoker, the better the seasoning will be.

SMOKING TECHNIQUES

Smoking - Less than 275°F

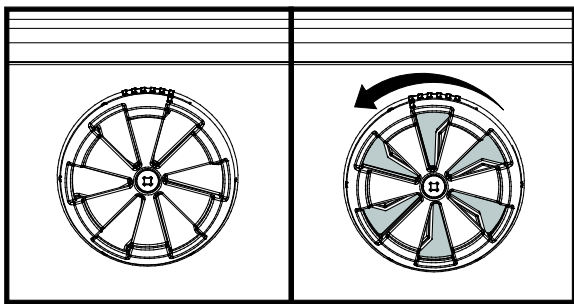
This classic form of barbecue involves cooking of larger cuts of meat at low temperatures (less than 275°F (135°C) for a relatively long time (often 4+ hours). Using wood chips infuses slow cooked meats and other items with smoky barbecue flavor and yields incredibly tender results.

Smoke roasting – 275°F – 400°F

Also known as indirect grilling, this is similar setup to smoking; smoke roasting is an accelerated version of the same principles. It works well for more conventional roasts, chickens and items that are frequently oven roasted. The combination of smoke and cooking time creates great flavor in a shorter time than true smoking.

CONTROLLING TEMPERATURE

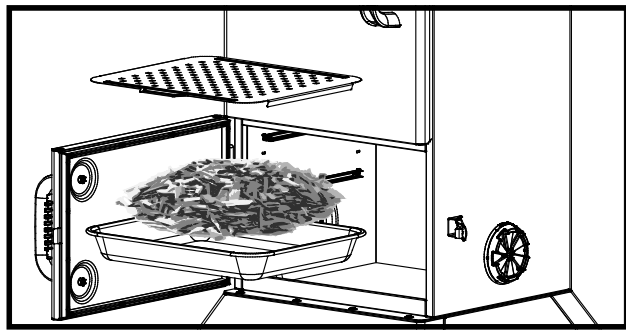
The Broil King® Smoke™ Vertical Propane Smoker allows you to control cooking temperature by adjusting the control knob and exhaust dampers. Use barbecue mitts or hot pads to protect hands while cooking or adjusting the dampers.



WOOD CHIPS

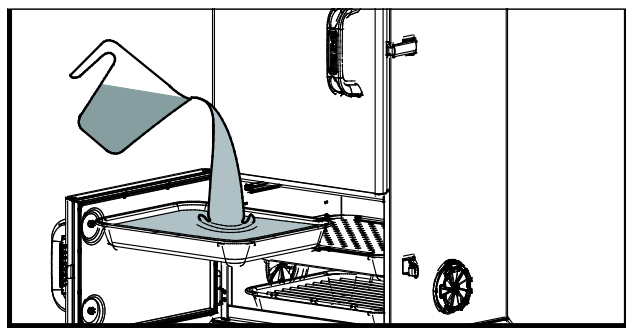
Pre-soak wood chips for 30 minutes before adding to smoker. Add wood chips after the main burner is lit, but before adding meat to the smoker. Do not place wood chips in the grease pan. Smoke flavor accumulates best on cool items that have moisture on the outside. Once the exterior of the item dries out, it will no longer take on smoke flavor.

For best results, try to maintain a temperature of 200°F to 300°F for most smoked meats. Always cook to the specified internal temperature for a given meat. That is the only way to ensure food safety.



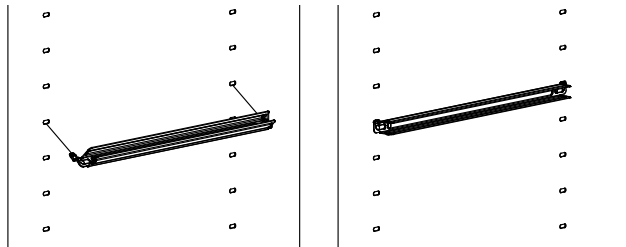
CONTROLLING MOISTURE

Water pan: Your vertical charcoal smoker is equipped with a water pan to keep food from drying out. Use water, juice, and other herbs and spices to create another layer of flavor as you use your smoker.



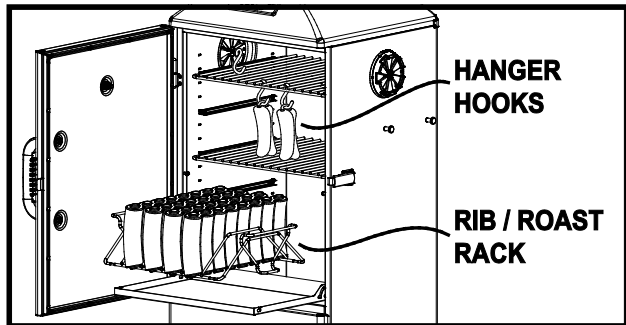
COOKING ACCESSORIES

Adjustable Racks: The rails for holding the cooking grids and trays are fully adjustable, allowing for most efficient use of your cabinet smoker.



Rib / Roast Rack: Your smoker includes a rib / roast rack that can be used in place of the stainless steel cooking grids. Maximize the space in your smoker by keeping ribs upright.

Stainless Steel Hooks: Leave the upper rack in place, and use the 16 hooks provided to hang sausage, chicken pieces, whole fish, and other items.



RECIPES

BBQ RUB

- 2 tablespoons brown sugar
- 1 teaspoon kosher salt
- 1 teaspoon freshly ground black pepper
- 1 tablespoon cumin
- 2 teaspoons dry mustard
- 2 teaspoons paprika
- 2 tablespoons chili powder
- 1 teaspoon onion salt
- 1 teaspoon celery salt
- 1 teaspoon garlic powder
- 1 tablespoon oregano

SMOKED CHICKEN

- Preheat smoker to 275°f (135°c)
- 1 whole chicken, separated, or chicken pieces – thighs, wings, drumsticks, up to 5 lbs.
- Rub chicken pieces with general purpose BBQ rub, let stand 30 minutes
- Add water pan to smoker
- Add handful of apple or other wood chips to smoker tray
- Arrange chicken on cooking grids
- Cook 2.5 – 4 hours
- Internal temperature must reach 165°f (74°c)
- Cover, let stand 10 minutes
- Serve and enjoy

RIBS

- Preheat smoker to 250°f (121°c)
- 4 racks pork ribs
- Peel membrane from ribs
- Season liberally with barbecue rub
- Add water pan with apple juice to smoker
- Add handful of apple or other wood chips to smoker tray
- Arrange ribs on cooking grids, or in the included rib rack
- Cook 3-4 hours
- If desired, apply barbecue sauce at this time and finish using your Broil King Gas Barbecue at 400°f for 10 – 20 minutes.
- Remove from smoker, cover and let stand 10 minutes
- Serve and enjoy

PULLED PORK

- Preheat smoker to 225°f (107°c)
- 4 – 15 lb. Pork Shoulder (Smaller cuts will often be labelled Boston Butt or picnic shoulder)
- Season liberally with barbecue rub
- Add water pan with apple juice to smoker, set pork shoulder above pan
- Add handful of wood chips to smoker tray
- Place pork shoulder on cooking grids
- Cook 4 + hours to an internal temperature of at least 185°f (85°c)
- Remove from smoker, wrap with foil, let stand 30 minutes
- Chop using Broil King® Super Flipper (#64011) or pull using Broil King® Meat Claws (#64070)
- Apply sauce as desired
- Serve and enjoy

MAINTENANCE

REGULAR MAINTENANCE

The following components should be inspected and cleaned (as necessary) before every usage of your gas smoker to ensure optimal performance, safety and efficiency.

COOKING GRIDS

All OMC cooking grids are coated with a durable finish to protect the grids and reduce the tendency of food sticking to grids. With all OMC cooking grids instead of burning off your smoker after each usage, we recommend leaving food residue on grids and performing a Burn-Off (see below) before each use; this helps build up a protective layer of oil on the grids and will aid in preventing rust and deterioration.

SEASONING GRIDS

Cooking grids should be seasoned before every use by wiping or spraying them with vegetable or olive oil. Ensure that the whole surface of the grid is covered by a light layer of oil. This helps prevent rusting and deterioration. If rusting does occur, scrape it off gently with a scrub pad and season thoroughly. During longer periods of inactivity, grids should be seasoned, wiped dry then stored in a dry place. Before first usage and after periods of storage, grids should be washed dried with paper towel then wiped down thoroughly with vegetable or olive oil.

WATER PAN

After each cook, it will be necessary to empty the water pan. Wait for the smoker to completely cool. Carefully remove the water pan and dispose of cooking liquid and food residue. Wash the water pan with soap and water.

SMOKER BOX

After each cook, it will be necessary to empty the smoker box. Wait for the smoker to completely cool. It is a good idea to douse wood chips with water to insure they are completely extinguished. Carefully remove the smoker box and dispose of spent wood chips residue. Wash the pan with soap and water.

BURN-OFF

First make sure the water pan and smoker box has been emptied. Ignite the burners as per "Lighting" (page 7). Operate gas Smoker on HIGH with door closed for 10 min. or until smoking stops. Turn the gas source off then turn control knobs to OFF. When the smoker is completely cool. Clean the interior as necessary by scraping the sides and bottom of the cookbox and vacuuming or sweeping up debris.

ANNUAL MAINTENANCE

The following components should be inspected and cleaned at least once a year or after any period of storage over 30 days to ensure optimal performance, safety and efficiency.

BURNER

Remove burner and inspect for cracks and deterioration. Clean venturi tubes using a pipe cleaner or venturi brush to eliminate any blockages. See "Venturi Tubes." (page 6) While the burner is removed, clean the interior of cookbox by scraping the sides and bottom of the cookbox and vacuuming.

HOSE

Inspect and replace if necessary.

EXTERIOR FINISH

If white oxidation spots appear, wash the outside of the cookbox with a mild soap and water solution. Rinse the surfaces thoroughly then wipe them with a cloth dipped in cooking oil to restore the luster. For repair of paint scratches and scuffs, use a good quality HIGH temperature (600°F) spray paint for touch-up. Rusting is a natural oxidation process and may appear on cast-iron and steel parts. Rust will not affect short term performance of your smoker.

STAINLESS STEEL

Wash with soap and water. Use stainless steel cleaner to polish and remove stains or marks. Weathering and extreme heat can cause a stainless steel lid to turn a tan color. This is discoloration and is not considered a manufacturing defect.

RESIN COMPONENTS

Wash with soap and water.

REPLACEMENT PARTS

If a problem is found with the hose, burner, or control valve, do not attempt repair. See your dealer, approved service center, or contact the factory for repairs or replacement parts. To ensure optimum performance, use only original OMC replacement parts.

LEAK TEST

When reconnecting to the gas supply, be sure to check for leaks. See "Leak Testing." (page 6)

COOKING GRIDS

To wash cooking grids, use a light detergent and water and then rinse and dry with paper towel; never air dry grids or use a dishwasher. For cast iron grids, thoroughly season (see left: "Cooking Grids") after washing.

Always keep your Broil King® Smoke™ Vertical Gas Smoker covered when not in use - use Broil King® Cover # 67240

TROUBLESHOOTING

PROBLEM	POSSIBLE CAUSE	CORRECTIVE ACTION
SMELL OF GAS	SHUT OFF GAS SUPPLY AT ONCE. DO NOT USE THE APPLIANCE UNTIL LEAK IS SEALED.	
Leak detected at any connection.	<ol style="list-style-type: none"> 1. Quick disconnect coupling not seated fully. 2. Gas leak in connection. 3. Gas leak in hose or control valves 	<ol style="list-style-type: none"> 1. Remove and reconnect coupling 2. Tighten connection and "Leak Test". 3. See authorized service centre
Flames Beneath Control Panel (Flashback Fire)	<ol style="list-style-type: none"> 1. Venturi blocked. 	<ol style="list-style-type: none"> 1. Remove burner and clean venturi. See "Venturi Tubes" (page 6)
Burner Not Lighting	<ol style="list-style-type: none"> 1. Gas shut off valve closed. 2. Ignitor issue. 3. Venturi blocked or misaligned with valve orifice. 4. Orifice(s) blocked. 5. Hose is twisted. 	<ol style="list-style-type: none"> 1. Open gas shut off valve. 2. Try manually lighting burner with a match. See "Lighting" (page 7). If burner lights successfully, it is an ignitor issue. See "Ignitor not Working" below 3. Remove burner, clean venturi and realign with valve orifice. See page 6 for assistance. 4. Remove burner, clean orifices with a pin or fine wire. Do not drill orifices. 5. Straighten hose. Keep away from bottom casting.
Ignitor Not Working	<ol style="list-style-type: none"> 1. Ignitor battery is dead 2. Ignitor wire(s) not connected 3. Electrode misaligned on burner 4. Ignitor malfunction 	<ol style="list-style-type: none"> 1. Replace battery 2. Ensure main burner and side burner electrode wires are all connected 3. Realign electrode and clear any surrounding debris from area 4. Use "Match Lighting" procedure. (Page 7)
Decreasing Heat, "Popping Sound"	<ol style="list-style-type: none"> 1. Venturi blocked. 	<ol style="list-style-type: none"> 1. Remove burner, clean venturi. See "Venturi Tubes" (Page 6) for assistance.
Yellow Flame	<ol style="list-style-type: none"> 1. Some yellow flame is normal. If it is excessive, the venturi may be blocked. 2. Burner ports blocked. 	<ol style="list-style-type: none"> 1. Remove burner, clean venturi. See "Venturi Tubes" (page 6) for assistance. 2. Remove burner & clean with soft bristle brush (e.g. toothbrush).
Inside of Lid Appears to be Peeling	<ol style="list-style-type: none"> 1. This is a build-up of grease. The inside of lid is not painted and cannot peel. 	<ol style="list-style-type: none"> 1. Clean with stiff bristle brush or scraper.
Cooking Grids Rusting	<ol style="list-style-type: none"> 1. Porcelain enamel has been chipped 	<ol style="list-style-type: none"> 1. See "Maintenance" (page 10) for help
If troubleshooting fails to solve any of these or any other issues, please visit www.omcbbq.com for more information including troubleshooting videos, tricks and tips or call customer service at 1-800-265-2150		

WARRANTY

WARRANTY & CUSTOMER SERVICE

The OMC Warranty is effective from date of purchase and is limited to the repair or replacement of parts at no charge which prove to be defective under normal domestic use.

In Canada and the United States replacement is FOB Factory.

In all other countries replacement is FOB OMC Distributor. (Consult your dealer for name of OMC Distributor.)

All other costs are the responsibility of the owner.

This warranty is extended only to the original purchaser as indicated on the warranty registration and applies only to products sold at retail and only when used in country where purchased.

WHAT IS COVERED:

High Heat Coated Cook Box	5 years
Remaining parts & paint	2 years

WHAT IS NOT COVERED:

- Any failures or operating difficulties due to accident, abuse, misuse, alteration, misapplication, vandalism, improper installation or improper maintenance or service, or failure to perform normal and routine maintenance as set out in the owner's manual.
- Deterioration or damage due to severe weather conditions such as hail, hurricanes, earthquakes or tornadoes, discoloration due exposure to chemicals either directly or in the atmosphere.
- Shipping or transportation costs.
- Removal or re-installation costs.
- Labor costs for installation and repair.
- Cost of service calls.
- Liability for indirect or consequential damages.

Replacement Parts:

"Genuine OMC Replacement Parts" must always be used for replacement. Use of any other parts will automatically nullify the above warranty.

Warranty Claims

All warranty is handled directly by OMC. Parts must be returned to OMC Warranty Department, shipping charges prepaid, accompanied by model #, Serial #, and if your grill is not registered, proof of purchase (copy of sales slip or invoice). If inspection confirms the defect, OMC will repair or replace such part in accordance with the terms of the warranty. On receipt of letter or fax (not by phone) OMC may, at is option, not require part or parts to be returned.

Outside North America

The above warranty is administered by the OMC distributor in your country. Contact your dealer for the name of your OMC distributor.

Broil King®

GUIDE DE L'UTILISATEUR

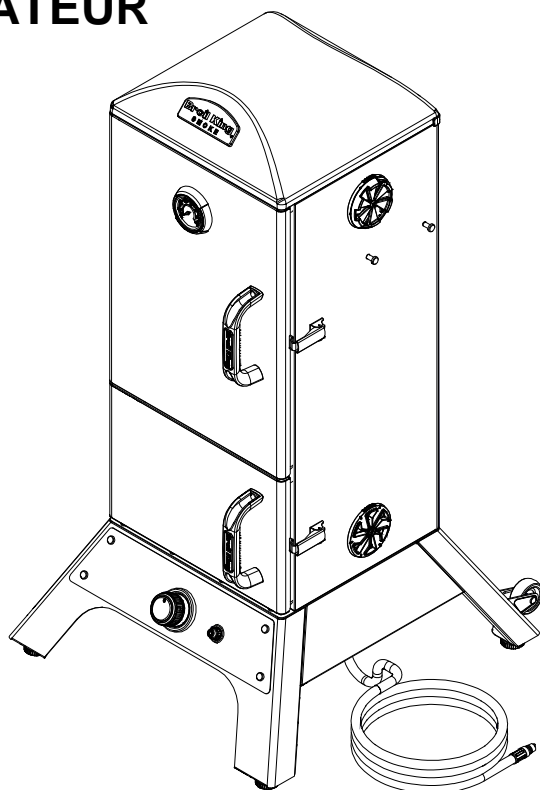
UTILISATION AVEC GAZ NATUREL



ANSI Z21.89 2013 / CSA 1.18-2013

CONTENUS

SÉCURITÉ.....	14
INSTALLATION	15
GAZ NATUREL	16
ALIMENTATION DU GAZ.....	17
ESSAI D'ÉTANCHÉITÉ	18
TUYAUX VENTURI	18
ALLUMAGE	19
UTILISATION	20
TECHNIQUES DE FUMAISON.....	21
ENTRETIEN	22
DÉPANNAGE.....	23
GARANTIE	24



VEUILLEZ INSCRIRE LE NUMÉRO DE MODÈLE, LE NUMÉRO DE SÉRIE ET LA DATE D'ACHAT ICI.

Ces renseignements se trouvent sur une étiquette d'avertissement noire et argent d'OMC à l'arrière ou sur le côté de votre barbecue au gaz.

Numéro de modèle					-			
Numéro de série		-						
Date d'achat		/		/				
		jj				mm		aaaa

Ce guide de l'utilisateur contient des renseignements importants nécessaires pour l'assemblage correct et l'utilisation sécuritaire de l'appareil. Lisez et suivez tous les avertissements et directives en assemblant et utilisant l'appareil. Conserver ce guide pour des fins de référence ultérieure.

1-800-265-2150
info@omcbbq.com

Onward
MANUFACTURING COMPANY
SINCE 1906
585 KUMPF DRIVE LIMITED
WATERLOO, ONTARIO, CANADA
N2V 1K3

FR

SÉCURITÉ

Votre nouveau fumoir à gaz Broil King est un appareil sécuritaire et commode lorsqu'il est assemblé et utilisé correctement. Comme avec tous les produits alimentés au gaz, certaines précautions devraient être prises. **Le non-respect de ces mises en garde peut mener à des blessures graves ou des dommages.** Si vous avez des questions concernant l'assemblage ou l'utilisation du produit, veuillez consulter votre détaillant, spécialiste des appareils au gaz, fournisseur de services de gaz ou le service à la clientèle direct en composant le 1-800-265-2150. / info@omcbbq.com

DANGER

SI VOUS SENTEZ UNE ODEUR DE GAZ :

- **FERMEZ L'ALIMENTATION EN GAZ À L'APPAREIL.**
- **ÉTEIGNEZ TOUTE FLAMME OUVERTE.**
- **OUVREZ LES PORTES DU FUMOIR.**
- **SI L'ODEUR PERSISTE, TENEZ-VOUS LOIN DE L'APPAREIL ET APPELEZ IMMÉDIATEMENT LE SERVICE D'INCENDIE.**

LE NON-RESPECT DE CES DIRECTIVES POURRAIT ENGENDRER UN INCENDIE OU UNE EXPLOSION POUVANT CAUSER DES DOMMAGES MATÉRIELUX, DES BLESSURES CORPORELLES OU LA MORT.

DANGER

- **NE JAMAIS LAISSER L'APPAREIL FONCTIONNER SANS SURVEILLANCE.**
- **NE JAMAIS UTILISER CET APPAREIL À MOINS DE 10 PI (3 M) DE TOUTE STRUCTURE OU MATÉRIEL COMBUSTIBLE.**
- **NE JAMAIS UTILISER CET APPAREIL À MOINS DE 25 PI (2,5 M) DE TOUT LIQUIDE INFLAMMABLE.**
- **DANS LE CAS D'UN INCENDIE, TENEZ-VOUS LOIN DE L'APPAREIL ET APPELER LE SERVICE D'INCENDIE. NE PAS TENTER D'ÉTEINDRE UN FEU D'HUILE OU DE GRAISSE AVEC DE L'EAU.**

LE NON-RESPECT DE CES DIRECTIVES POURRAIT ENGENDRER UN INCENDIE OU UNE EXPLOSION POUVANT CAUSER DES DOMMAGES MATÉRIELUX, DES BLESSURES CORPORELLES OU LA MORT.

MISE EN GARDE

- **POUR L'UTILISATION EN EXTÉRIEUR SEULEMENT.**
- **CET APPAREIL NE DOIT PAS FONCTIONNER SANS SURVEILLANCE.**
- **VEUILLEZ TENIR LES JEUNES ENFANTS ET LES ANIMAUX LOIN DES SURFACES CHAUFFÉES.**
- **NE PAS DÉPLACER L'APPAREIL LORSQUE CELUI-CI EST EN MARCHÉ.**

Soyez prudent(e) en manipulant ou transportant ce produit. Les bords métalliques peuvent être dangereux. Portez des gants en soulevant ou manipulant le produit. Avant de soulever le produit, veuillez enlever les étagères latérales, les grilles et les plateaux.

MISES EN GARDE ÉLECTRIQUES

1. Si un accessoire nécessitant une source d'alimentation électrique est utilisé avec cet appareil, celui-ci doit être relié à la terre selon les codes locaux. Dans l'absence de codes locaux, les normes suivantes s'appliquent : **(É.-U.) ANSI/NFPA No. 70 - Édition la plus récente** et **(Canada) CSA C22.1 Code canadien de l'électricité**
2. Ne pas couper ni retirer la broche de mise à la terre de la fiche.
3. Tenir le fil d'alimentation électrique et le tuyau d'alimentation en carburant loin des surfaces chauffées.

AVERTISSEMENT DE LA PROPOSITION 65

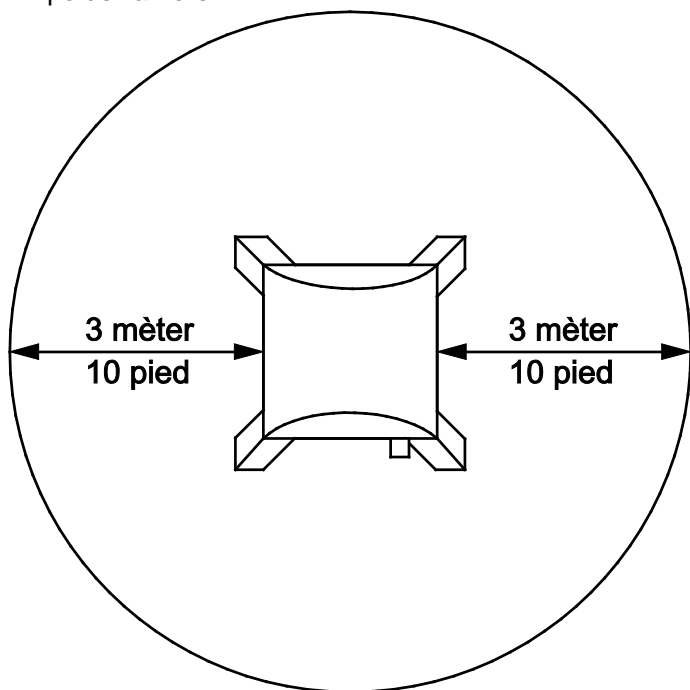
La manipulation du laiton sur ce produit risque de vous exposer au plomb, un produit contenant des agents chimiques connus dans l'État de la Californie pour causer le cancer et des malformations congénitales ou autres dommages au fœtus. **VEUILLEZ LAVER VOS MAINS APRÈS AVOIR MANIPULÉ CE PRODUIT.**

AVERTISSEMENT

Les carburants utilisés dans les appareils alimentés au gaz ou à l'huile, ainsi que les produits de combustion de tels carburants, contiennent des agents chimiques connus dans l'État de la Californie pour causer le cancer et des malformations congénitales ou autres dommages au fœtus. Cet avertissement est émis conformément à la Sec. 25249.6 du Code de la Santé et Sécurité de la Californie.

INSTALLATION

1. Aux É.-U., cet appareil doit être installé conformément au code local et au code local pertinent :
ANSI Z223.1/NFPA 54, Code de gaz de carburant national
ANSI/NFPA 58, Stockage et manipulation du pétrole liquéfié
2. Au Canada, cet appareil doit être installé conformément au code local et aux normes CSA pertinentes:
CSA-B149.1 Code d'installation de gaz naturel et de propane
CSA-B149.2 Stockage et manipulation du propane
3. L'appareil doit être tenu loin des surfaces combustibles - au moins 76 cm/30 po de chaque côté, et 76 cm/30 po de l'arrière.



4. Ne pas utiliser cet appareil sous une construction de toiture ou du feuillage.
5. Cet appareil est conçu pour l'UTILISATION EN EXTÉRIEUR SEULEMENT, et NE PAS l'utiliser dans un garage, dans une remise, sur un balcon ou dans un autre espace clos.
6. NE PAS limiter la circulation d'air dans l'appareil.
7. Assurer que la zone entourant l'appareil soit exempte de matériaux combustibles, carburant, et tous liquides/vapeurs inflammables.
8. Cet appareil n'est pas conçu pour l'installation sur ou à l'intérieur des véhicules récréatifs et/ou bateaux.
9. Vous assurer que les orifices de ventilation de l'enceinte de la bouteille soit non obstruée et exempte de débris.
10. Tenir le tuyau d'alimentation en carburant loin des surfaces chauffées)
11. Pas pour un usage commercial

GAZ NATUREL

1. Cet gril est destiné pour être utilisé avec du gaz naturel.
Ne pas utiliser avec du gaz propane (réservoir de gaz).
Les soupapes, orifices et les tuyaux sont pour gaz naturel seulement.
2. Ne pas utiliser avec du charbon.
3. Une soupape d'arrêt doit être utilisée sur la canalisation d'alimentation du gaz.
4. Quand l'appareil n'est pas utilisé, fermer l'alimentation du gaz à la soupape.
5. L'appareil est fait pour opérer à une pression de 7 pouces sur colonne d'eau.

ENTREPOSAGE

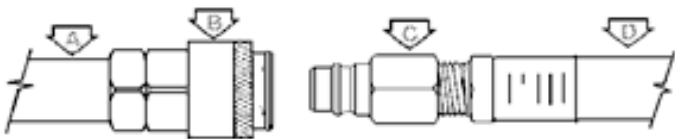
1. Le gaz doit être fermé à l'alimentation du gaz naturel quand le gril n'est pas utilisé.
2. Quand le gril est entreposé dehors l'alimentation du gaz doit être débranchée.

VERIFICATION DU GAZ A LA SOURCE

1. Cet appareil doit être débranché de la canalisation de l'alimentation du gaz au débranchement rapide durant une vérification à pression de ce système de plus de 1/2 psig (3.5 kPa).
2. Fermer le gril quand l'alimentation du gaz est vérifiée à une basse pression. Cet appareil devra être isolé de la canalisation de l'alimentation du gaz en fermant la soupape durant toute vérification de l'alimentation à une pression égale ou moins de 1/2 psig (3.5 kPa).

ALIMENTATION DU GAZ

1. Sur les modèles fournis d'un tuyau prolongateur, l'assemblage des tuyaux est destiné particulièrement pour votre modèle. Ne pas essayer de modifier ou d'ajouter à l'alimentation. Les tuyaux et les accouplements des tuyaux sont conformes au Standard CGA CAN 1-83.
2. Pour les modèles équipés avec l'accouplement à débranchement rapide, fermer la soupape avant de débrancher l'accouplement.
3. L'accouplement à débranchement rapide doit rester propre et être entretenu pour qu'il n'y ait pas de débris ou de saletés.
4. S'assurer qu'il n'y ait pas de graisse dégoutant du tuyau, et ne pas laisser le tuyau toucher aucune surface chaude.
5. Inspecter le tuyau en au moins une fois par année. Si le tuyau a des fissures, des coupures, est usé ou endommagé, l'appareil ne doit pas être utilisé.
6. Pour une réparation ou remplacement de l'assemblage des tuyaux, prendre contact avec votre marchand ou avec un centre de service autorisé.



- A. ALIMENTATION DU GAZ.
- B. ACCOUPLEMENT À DÉBRANCHEMENT RAPIDE.
- C. ADAPTEUR DU TUYAU.
- D. TUYAU PROLONGATEUR.

ESSAI D'ÉTANCHÉITÉ

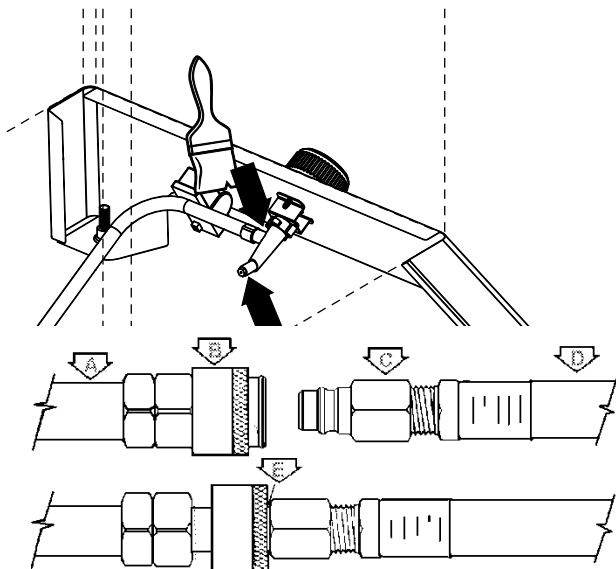
Toutes les connexions réalisées en usine ont été rigoureusement testées pour des fuites de gaz. Cependant, les raccords de gaz peuvent s'avoir desserrés pendant l'expédition.

PRÉCAUTION DE SÉCURITÉ

- Tester tous les raccords pour des fuites avant d'utiliser votre fumoir à gaz.
- Tester pour des fuites chaque fois que vous connectez un raccord de gaz.
- Ne pas fumer en effectuant l'essai.
- Ne jamais tester pour des fuites avec une allumette enflammée ou une flamme exposée.
- Tester pour des fuites en extérieur seulement.

POUR TESTER POUR DES FUITES

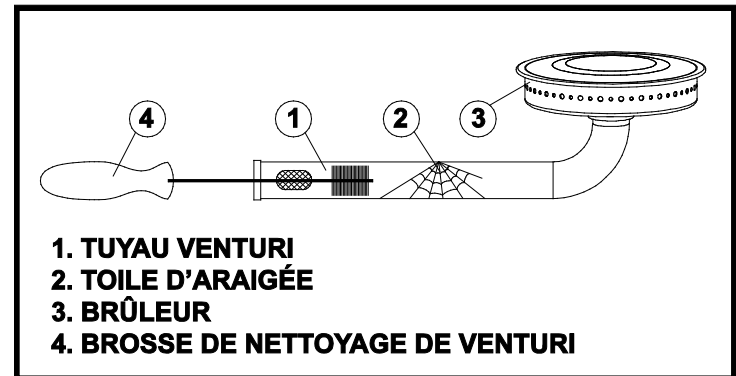
1. Éteindre toute flamme exposée ou cigarettes dans la zone environnante.
2. Vérifier à ce que l'alimentation en fumoir à gaz et les vannes est fermée.
3. Préparer une solution d'eau savonneuse composée d'une moitié d'eau et d'une moitié de détergent liquide.
4. Ouvrir la soupape.
5. Appliquer une solution d'eau savonneuse sur chacune des connexions.



- A. ALIMENTATION DU GAZ
 - B. A COUPLMENT À DÉBRANCHEMENT RAPIDE
 - C. ADAPTEUR DU TUYAU
 - D. TUYAU PROLONGATEUR
 - E. VÉRIFIER LES FUITES ICI
6. Des bulles indiquent la présence d'une fuite.
 7. Si une fuite est détectée, fermez la valve d'arrêt de la gaz, serrez la connexion et testez de nouveau.
 8. Si la fuite persiste, veuillez contacter votre détaillant de fumoirs à gaz pour de l'aide. Ne pas tenter d'utiliser l'appareil si une fuite est présente.

TUYAUX VENTURI

Assurez-vous que les tuyaux venturi soient toujours propres. Les blocages des tuyaux venturis causés par des araignées, insectes et nids d'animaux peuvent causer une poussée de flamme. En fait, même lorsque l'allumeur s'allume, le gaz peut s'accumuler et causer un feu autour des tuyaux de venturi au panneau de commande.



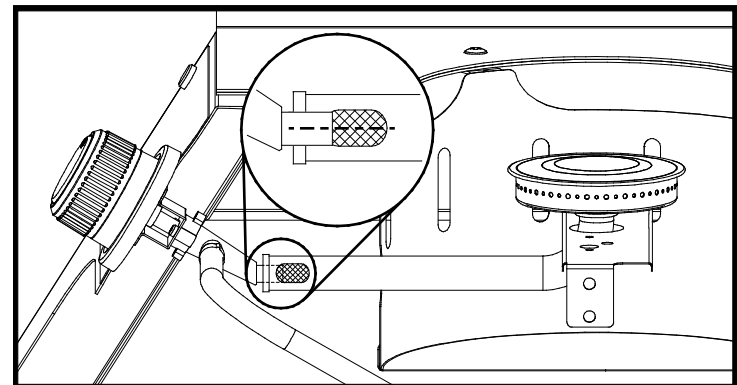
1. TUYAU VENTURI
2. TOILE D'ARAIGÉE
3. BRÛLEUR
4. BROsse DE NETTOYAGE DE VENTURI

Dans le cas d'une poussée de flammes, éteignez la source d'alimentation en gaz immédiatement. Inspectez et nettoyez les tuyaux venturi (brûleur principal, brûleur latéral, brûleur arrière) si vous observez les problèmes suivants :

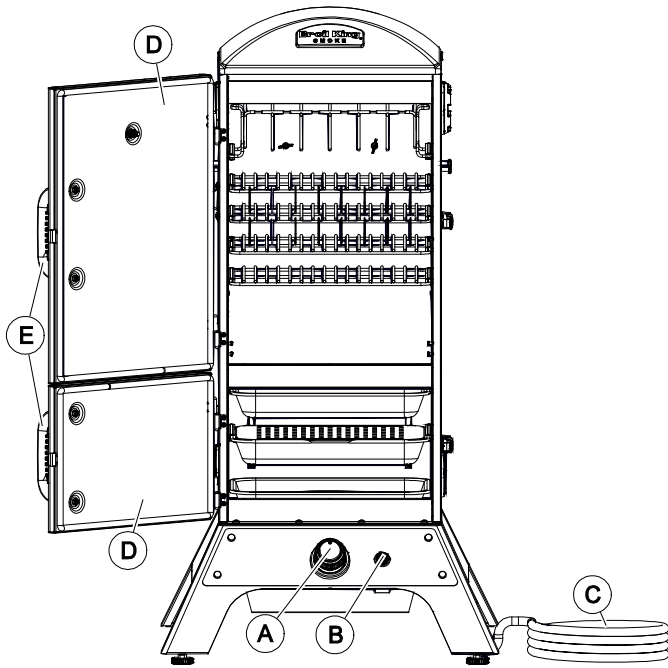
1. Odeur de gaz.
2. Votre fumoir n'atteint pas la bonne température.
3. Votre fumoir à gaz chauffe inégalement.
4. Les brûleurs produisent un bruit d'explosion.

INSPECTION ET NETTOYAGE DES TUYAUX VENTURI

1. Éteignez la source d'alimentation en gaz.
2. Lorsque le fumoir est froid, enlevez les attaches de brûleur. Sortez le brûleur du boîtier de brûleur.
3. Nettoyez les tuyaux venturi avec une brosse à tuyau ou un outil de nettoyage des tuyaux venturi (accessoire #77310).
4. Insérez le brûleur dans le boîtier du brûleur, en vous assurant que les tuyaux venturi soient correctement alignés et insérés dans les orifices.
5. Sécurisez les brûleurs à l'aide des attaches de brûleur.



ALLUMAGE



- A. BRÛLEUR PRINCIPAL
- B. ALLUMEUR
- C. ALIMENTATION DU GAZ
- D. PORTE
- E. POIGNÉE

DIRECTIVES D'ALLUMAGE

1. L'appareil doit être assemblé selon les directives d'assemblage.
2. Assurez-vous qu'il n'y ait aucune fuite de gaz dans le système d'alimentation en gaz. Voir : Essai d'étanchéité. (page 18)
3. Assurez-vous que les tuyaux venturi soient correctement placés au-dessus de l'orifice de la valve de gaz. voir schéma des tuyaux venturi, (page 18)
4. Assurez-vous que le fil d'allumage du brûleur soit connecté.
5. Lisez attentivement toutes les directives sur la plaque signalétique apposée sur le fumoir.
6. AVERTISSEMENT: Toujours ouvrir avant l'allumage et ne pas vous pencher au-dessus du fumoir pendant l'allumage.
7. Réglez le cadran de commande à ARRET et ouvrez l'alimentation en gaz.

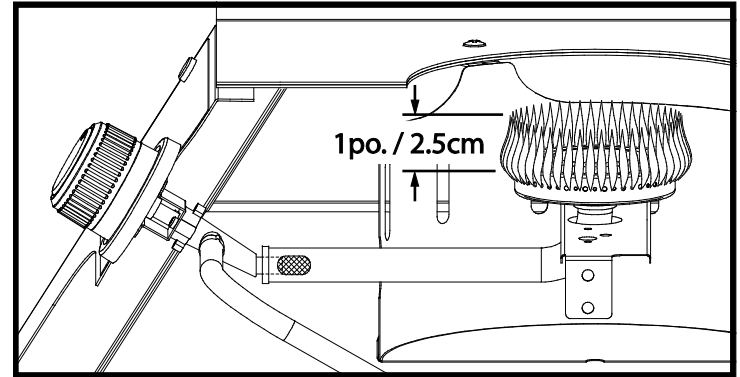
ALLUMAGE DU BRÛLEUR

- a. Ouvrez la porte du fumoir et laissez-la ouverte jusqu'à ce que le fumoir soit allumé.
- b. Vérifiez que la batterie soit installée dans le système d'allumage électronique.
- c. Appuyez et tournez de cadran de commande à la position HUAT.
- d. Appuyez et maintenez le bouton d'allumage, ou servez-vous d'une allumette.
- e. Le brûleur devrait s'allumer en 5 secondes; éteignez la source de gaz immédiatement si le fumoir ne s'allume pas dans ce délai. Pour allumer le brûleur à l'aide d'une allumette, veuillez suivre l'étape 14 ci-dessous.
- f. Fixez l'allumette à la chaîne d'allumage et allumez.
- g. Abaissez l'allumette enflammée jusqu'au niveau du brûleur.

- h. Appuyez et tournez de cadran de commande à la position HUAT.
- i. Le brûleur devrait s'allumer en 5 secondes.

MISE EN GARDE

Vérifier votre fumoir à gaz après l'allumage. Tous les ports de brûleur devraient produire une flamme de 1 po / 2.5cm au réglage HAUT.



Si vous observez tous les problèmes suivants, les tuyaux venturi sont probablement bloqués. Éteignez immédiatement l'alimentation en gaz, et nettoyez les tuyaux venturi. Voir Tuyaux venturi (page 18)

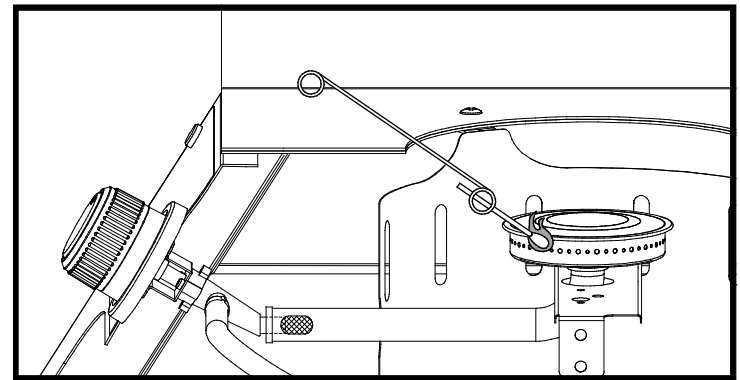
1. Il y a une odeur de gaz.
2. Une poussée de flamme.
3. Votre fumoir chauffe inégalement.
4. Les brûleurs produisent un bruit d'explosion.

SI UN BRÛLEUR NE S'ALLUME PAS:

1. Appuyez et tournez le cadran de commande dans la position ARRET. Patientez 5 minutes et essayez de nouveau avec le cadran de commande réglé à MOYEN
2. Si vous ne réussissez pas à allumer le brûleur, voir Dépannage à la page 22. Si le problème persiste, ne pas tenter d'utiliser l'appareil; veuillez contacter OMC, votre détaillant ou un centre de service approuvé.

ARRÊT

1. Fermer le robinet de la bonbonne.
2. Tournez le cadran de commande à la position ARRET



Allumez le brûleur avec une allumette, en utilisant la chaîne d'allumage.

UTILISATION

COMMENCER

Avant de cuire sur votre fumoir à gaz pour la première fois, enlevez les plateaux, le plat de fumoir, et le plateau d'eau; lavez-les complètement dans de l'eau savonneuse chaude. Rincez complètement et séchez avec une serviette douce – ne pas laisser sécher à l'air, et ne jamais mettre au lave-vaisselle.

Brûlage initial - Avant de cuire sur votre fumoir au propane vertical Smoke^{MC} de Broil King^{MD}, vous devez brûler les résidus protectifs accumulés lors du processus de fabrication. Allumez votre fumoir tel qu'indiqué dans la section 19 Allumer votre fumoir » et laissez le feu brûler pendant au moins 30 minutes. Ceci brûlera les résidus de fabrication et préviendra le durcissement des composants internes du fumoir. Plus vous utilisez votre fumoir, plus l'assaisonnement sera délicieux.

TECHNIQUES DE FUMAGE

Fumage – moins de 275 °F (135 °C)

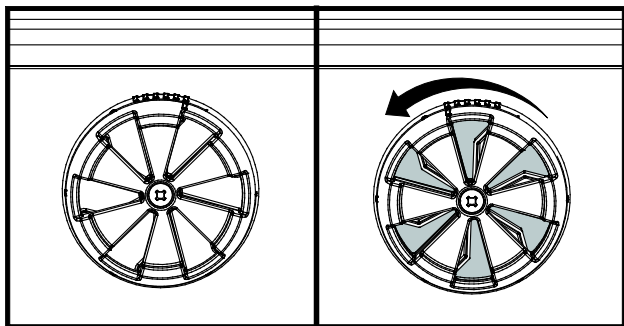
Ce type de grillade implique la cuisson indirecte de grandes coupes de viande à de basses températures (soit moins de 275 °F (135 °C) pour une période de temps relativement longue – souvent 4 heures ou plus). Le copeaux de bois infusent les viandes cuites et les autres aliments cuits lentement d'une saveur de barbecue fumé, et produisent des viandes incroyablement tendres.

Rôtissage à fumée - 275 °F - 400 °F (135 °C - 205 °C)

Aussi connu comme la grillade indirecte, le rôtissage à la fumée nécessite une configuration semblable à celle du fumage; il s'agit d'une version accélérée des mêmes principes. Cette méthode fonctionne très bien pour les rôtis conventionnels, les poulets et les aliments que l'on rôtit fréquemment au four. La combinaison de fumée et de temps de cuisson crée une excellente saveur dans des délais plus courts que le fumage véritable.

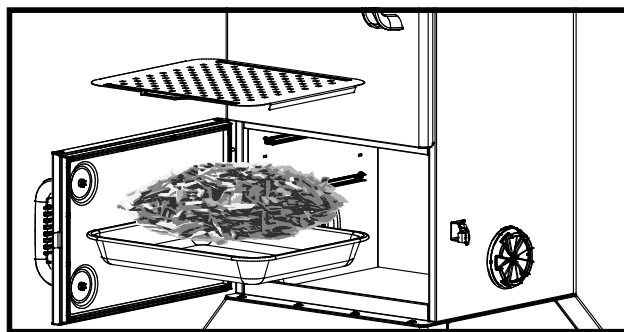
CONTRÔLE DE LA TEMPÉRATURE

Le fumoir au propane vertical Smoke^{MC} de Broil King^{MD} vous permet de contrôler la température de cuisson en ajustant les cadrans de commande et les registres d'évacuation. Porter des gants de cuisine ou des protège-plat pour protéger vos mains lorsque vous cuisez ou ajustez les registres.



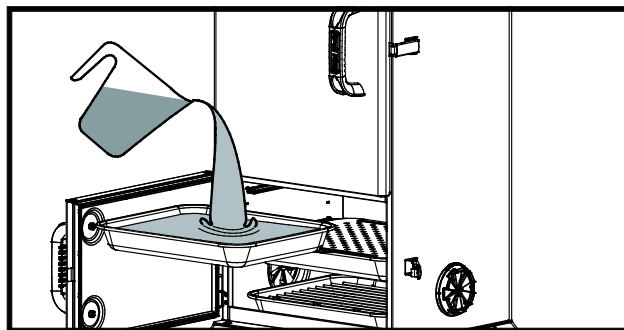
COPEAUX DE BOIS

Pré-trempez les copeaux de bois pour trente minutes avant d'ajouter au fumoir. Ne placez pas les copeaux de bois dans le plateau à graisse. Ajoutez des copeaux de bois une fois que le brûleur principal est allumé, avant de mettre la viande sur le fumoir. La saveur de fumée s'accumule idéalement lorsque les aliments sont froids et humides à l'extérieur. Une fois l'aliment séché, il n'absorbera plus la saveur de fumée. Pour les meilleurs résultats, maintenez une température de 200 °F à 300 °F pour la plupart des viandes fumées. Toujours cuire à la température interne spécifiée pour la viande en question. Cela est la seule manière d'assurer la sécurité des aliments.



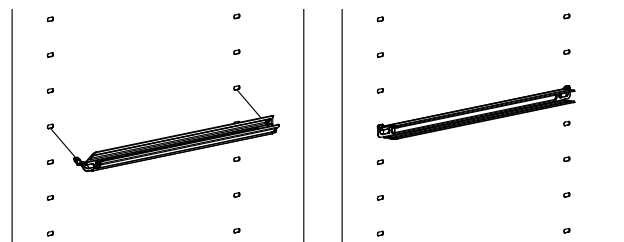
CONTRÔLE DE L'HUMIDITÉ

Plateau d'eau : Votre fumoir vertical au charbon est équipé d'un plateau d'eau pour prévenir l'assèchement des aliments. Servez-vous d'eau, de jus ou d'autres fines herbes pour créer une autre dimension de saveur.



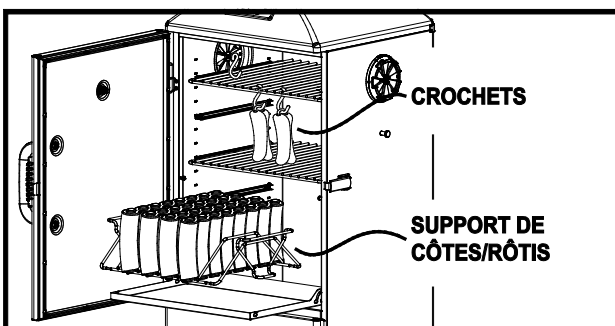
ACCESSOIRES DE CUISSON

Rails ajustables : Les rails qui supportent les grilles de cuisson et les plateaux sont entièrement ajustables, vous permettant d'utiliser votre fumoir à chambre plus efficacement.



Support de côtes levées/rôtis : Votre fumoir comprend un support de côtes levées/rôtis pouvant être utilisé au lieu des grilles de cuisson en acier inoxydable. Maximisez l'espace dans votre fumoir en positionnant les côtes à l'endroit.

Crochets en acier inoxydable : Laissez la grille supérieure en place, et servez-vous des 16 crochets pour suspendre des saucisses, des morceaux de poulet, des poissons entiers et d'autres aliments.



RECETTES

APPRÊT BBQ

- 2 c. à table de cassonade
- 1 c. à thé de sel Kasher
- 1 c. à thé de poivre fraîchement moulu
- 1 c. à table de cumin
- 2 c. à thé de moutarde sèche
- 2 c. à thé de paprika
- 2 c. à table de chili en poudre
- 1 c. à thé de sel d'oignon
- 1 c. à thé de sel de céleri
- 1 c. à thé de poudre d'ail
- 1 c. à table d'origan

CÔTES LEVÉES

- Préchauffez le gril à 250 °F (121 °C)
- 4 carrés de côtes de porc
- Pelez la membrane des côtes
- Assaisonnez généreusement avec de l'apprêt BBQ
- Placez le plat d'eau rempli de jus de pomme dans le fumoir
- Ajouter une pleine de pommes ou d'autres copeaux de bois aromatisés au le plateau de fumeur.
- Déposez les côtes levées sur les grilles de cuisson ou sur le support de côtes fourni
- Cuisez pendant 3 – 4 heures
- Ajoutez de la sauce BBQ vous le souhaitez, et cuisez dans votre gril à gaz à 400 °F pendant 10 - 20 minutes.
- Retirez les côtes du fumoir, et laissez-les reposer pendant 10 minutes
- Servez et dégustez

POULET FUMÉ

- Préchauffez le gril à 275 °F (135 °C)
- 1 poulet entier, séparé, ou pièces de poulet – cuisses, ailes, pilons, jusqu'à 5 lb
- Couvrez les pièces de poulet d'un apprêt BBQ tout-usage, et laissez-les reposer pendant 30 minutes
- Placez le plat d'eau dans le fumoir
- Ajouter une pleine de pommes ou d'autres copeaux de bois aromatisés au le plateau de fumeur
- Déposez le poulet sur les grilles de cuisson
- Cuisez pendant 2,5 – 4 heures
- La température interne doit atteindre 165 °F (74 °C)
- Couvrez et laissez reposer pendant 10 minutes
- Servez et dégustez

PORC EFFILOCHÉ

- Préchauffez le gril à 225 °F (107 °C)
- Épaule de porc de 4 – 15 lb (les plus petites coupes sont souvent appelées Palette de boston ou Épaule piquenique)
- Assaisonnez généreusement avec de l'apprêt BBQ
- Placez le plat d'eau rempli de jus de pomme dans le fumoir, et déposez l'épaule de porc au-dessus du plat
- Ajouter une pleine de pommes ou d'autres copeaux de bois aromatisés au le plateau de fumeur
- Déposez l'épaule de porc sur les grilles de cuisson
- Cuisez pendant 4 heures ou plus, ou jusqu'à ce que la viande atteigne une température interne d'au moins 185 °F (85 °C)
- Retirez l'épaule de porc du fumoir, et laissez-la reposer pendant 30 minutes
- Effilochez le porc à l'aide de la spatule Super Flipper de Broil King^{MD} (#64011) ou des griffes à viande de Broil King^{MD} (#64070)
- Appliquez de la sauce si vous le souhaitez
- Servez et dégustez

ENTRETIEN

ENTRETIEN RÉGULIER

Les composants suivants devraient être inspectés et nettoyés (au besoin) avant chaque utilisation de votre fumoir à gaz, afin d'assurer une bonne performance, la sécurité et l'efficacité de votre produit.

GRILLES DE CUISSON

Toutes les grilles de cuisson OMC sont revêtues d'une finition durable afin de protéger les grilles et réduire l'adhésion des aliments. Comme avec toutes les grilles de cuisson OMC, au lieu d'effectuer un brûleur du fumoir après chaque utilisation, nous recommandons que vous laissiez les résidus sur les grilles et effectuiez un brûlage (voir ci-dessous) après chaque utilisation; ceci aide à accumuler une couche d'huile protectrice sur les grilles, et vous aidera à prévenir la rouille et la détérioration.

ASSAISONNEMENT DES GRILLES

Les grilles de cuisson devraient être assaisonnées avant chaque utilisation en appliquant ou pulvérisant de l'huile végétale ou d'olive. Assurez-vous que la pleine surface de la grille soit couverte d'une couche d'huile légère. Ceci aide à prévenir la rouille et la détérioration. Si la rouille apparaît, grattez la grille légèrement avec un tampon abrasif et assaisonnez-la complètement. Pendant de longues périodes d'inactivité, les grilles devraient être assaisonnées, essuyées et conservées dans un endroit sec. Avant la première utilisation et après les périodes de rangement, les grilles devraient être nettoyées à l'aide d'une serviette de papier et couvertes d'huile végétale ou d'olive.

PLATEAU D'EAU

Après chaque utilisation, il est nécessaire de vider le plateau d'eau. Attendez que le fumoir soit complètement refroidi. Retirez soigneusement le plateau d'eau et éliminez les liquides de cuisson et les résidus d'aliments. Lavez le plateau d'eau avec de l'eau savonneuse.

CHAMBRE DE FUMAISSON

Après chaque utilisation, il est nécessaire de vider la chambre de fumaison. Attendez que le fumoir soit complètement refroidi. Il est une bonne idée de verser de l'eau sur les copeaux de bois afin d'assurer qu'ils soient complètement éteints. Retirez soigneusement la chambre de fumaison et éliminez les résidus de copeaux de bois. Lavez le plateau avec de l'eau savonneuse.

BRÛLAGE

Premièrement, assurez-vous que le plateau d'eau et la chambre de fumaison soient vides. Allumez les brûleurs selon "Allumage" (page 19). Faites fonctionner le fumoir à gaz au réglage HAUT avec le couvercle fermé pendant 10 min. ou jusqu'à ce qu'il cesse de produire de la fumée. Éteignez la source d'alimentation en gaz et tournez les cadrans de commande à ARRÊT. Lorsque le fumoir est complètement refroidi, nettoyez l'intérieur au besoin en grattant les côtés et le fond de la chambre de cuisson et en aspirant ou balayant les débris.

Toujours couvrir votre fumoir vertical Smoke™ de Broil King® lorsque vous ne l'utilisez pas – utiliser une housse Broil King® # 67240.

ENTRETIEN ANNUEL

Les composants suivants devraient être inspectés et nettoyés au moins une fois par année ou après toute période de rangement dépassant 30 jours pour assurer une bonne performance et la sécurité et l'efficacité de l'appareil.

BRÛLEUR

Retirez le brûleur et inspectez-le pour des fissures et la détérioration. Nettoyez les tuyaux venturi à l'aide d'une brosse de tuyau ou de venturi pour éliminer les blocages. Voir Tuyaux venturi (page 18). Alors que le brûleur est retiré, nettoyez l'intérieur de la chambre de cuisson en grattant les côtés et le fond de la chambre de cuisson, et en aspirant le fond du fumoir.

TUYAU

Inspectez et remplacez au besoin.

FINITION EXTÉRIEURE

Si des taches d'oxydation blanches apparaissent, lavez l'extérieur de la chambre de cuisson avec une solution d'eau savonneuse douce. Rincez les surfaces complètement et essuyez-les avec un linge trempé d'huile de cuisson pour restaurer le lustre. Pour réparer les égratignures et les rayures, servez-vous d'une peinture aérosol de bonne qualité et résistante aux températures ÉLEVÉES (600 °F) pour des retouches. La rouille est le résultat du processus d'oxydation naturel et peut apparaître sur les pièces en fonte ou en acier. La rouille n'affectera pas la performance à court terme du fumoir.

ACIER INOXYDABLE

Laver avec de l'eau savonneuse. Utiliser un nettoyeur pour acier inoxydable pour polir et enlever les taches ou les marques. Les intempéries et la chaleur extrême peuvent causer la décoloration d'un couvercle en acier inoxydable. Cette décoloration n'est pas considérée être un défaut de fabrication.

COMPOSANTS EN RÉSINE

Laver avec de l'eau savonneuse.

PIÈCES DE REMPLACEMENT

Si vous observez un problème avec le tuyau, le brûleur, ou les valves de commande, ne pas tenter de les réparer. Veuillez consulter votre détaillant ou centre de service approuvé, ou contacter l'usine pour la réparation ou des pièces de remplacement. Pour assurer une performance optimale, n'utilisez que des pièces de remplacement OMC originales.

ESSAI D'ÉTANCHÉITÉ

En reconnectant de gaz, assurez-vous de vérifier pour fuites. Voir Essai d'étanchéité (page 18)

GRILLES DE CUISSON

Pour laver les grilles de cuisson, utilisez un détergent doux et de l'eau, rincez, et séchez avec une serviette de papier; ne jamais laisser les grilles sécher à l'air ou les mettre au lave-vaisselle. Dans le cas des grilles en fonte, assaisonnez-les complètement (voir à gauche : Grilles de cuisson après le nettoyage).

DÉPANNAGE

PROBLÈME	CAUSE POSSIBLE	MESURE CORRECTIVE
ODEUR DE GAZ.	FERMER IMMÉDIATEMENT LE GAZ À LA SOURCE. NE PAS UTILISER L'APPAREIL JUSQU'À CE QUE LA FUITE SOIT SCELLÉE.	
Fuite détectée dans une connexion.	<ol style="list-style-type: none"> 1. Accouplement de débranchement rapide pas scellé complètement. 2. Fuite de gaz dans une connexion. 3. Fuite de gaz dans une soupape de tuyau ou contrôle. 	<ol style="list-style-type: none"> 1. Retirer et rattacher l'accouplement. 2. Serrer la connexion et contrôler les fuites. 3. Voir Centre de service autorisé.
Il y a une flamme causé par un flux sous le panneau de contrôle.	<ol style="list-style-type: none"> 1. Venturi bloqué. 	<ol style="list-style-type: none"> 1. Enlever le brûleur, nettoyer le venturi, voir "Tubes Venturi" (page 18).
Les brûleurs ne s'allument pas.	<ol style="list-style-type: none"> 1. Soupape de gaz fermée. 2. Problème avec le bouton d'allumage. 3. Venturi bloqué ou non aligné avec l'orifice de la soupape. 4. Orifice(s) bloqué(s). 5. Tuyau tordu. 	<ol style="list-style-type: none"> 1. Ouvrir soupape de gaz. 2. Tenter d'allumer manuellement le brûleur avec une allumette. Voir "Allumage" (page 19). Si le brûleur s'allume, le bouton d'allumage fait défaut. Voir "Bouton d'allumage ne fonctionne pas" ci-dessous. 3. Enlever le brûleur, nettoyer le venturi et réaligner avec l'orifice de la soupape. Voir la page 18. 4. Enlever le brûleur et nettoyer les orifices avec une aiguille ou un fil en métal. N'utilisez pas une perceuse. 5. Redresser le tuyau. Éloigner du fond du boîtier.
Le bouton d'allumage ne fonctionne pas.	<ol style="list-style-type: none"> 1. La pile du bouton d'allumage ne fonctionne plus. 2. Les fils du bouton d'allumage ne sont pas branchés. 3. L'électrode n'est pas bien alignée sur le brûleur. 4. Le bouton d'allumage ne fonctionne pas. 	<ol style="list-style-type: none"> 1. Remplacer la pile. 2. Vérifier que les fils de l'électrode du brûleur principal et du brûleur latéral sont connectés. 3. Réaligner l'électrode et enlever tout débris de l'espace. 4. Voir "Allumer le brûleur avec une allumette" (Page 19).
Chaleur moins intense, crépitements.	<ol style="list-style-type: none"> 1. Venturi bloqué. 	<ol style="list-style-type: none"> 1. Enlever le brûleur et nettoyer le venturi. Voir "Tubes venturi" (Page 18).
Flamme jaune.	<ol style="list-style-type: none"> 1. Il est normal d'apercevoir un peu de flammes jaunes mais en quantité excessive, il est possible que le venturi soit bloqué. 2. Orifices du brûleur bloqués. 	<ol style="list-style-type: none"> 1. Enlever le brûleur et nettoyer le venturi. Voir "Tubes venturi" (page 18). 2. Enlever le brûleur et nettoyer avec une brosse à soies souples (ex: brosse à dent).
L'intérieur du couvercle semble peler.	<ol style="list-style-type: none"> 1. Une accumulation de graisse. L'intérieur du boîtier n'est pas peint donc il ne peut pas peler. 	<ol style="list-style-type: none"> 1. Nettoyer avec une brosse à poils rigides ou un grattoir.
Rouille sur les grilles de caisson.	<ol style="list-style-type: none"> 1. L'émail s'est écaillé. 	<ol style="list-style-type: none"> 1. Voir "Entretien" (page 22).
<p>Si ce dépannage ne résout pas ces problèmes particuliers ou autres, visitez www.omcbbq.com pour plus de renseignements, y compris des capsules de dépannage, conseils et astuces ou appelez le service à la clientèle au 1-800-265-2150</p>		

GARANTIE

GARANTIE ET SERVICE À LA CLIENTÈLE

La garantie d'OMC entre en vigueur à compter de la date d'achat, et se limite à la réparation ou au remplacement gratuit(e) des pièces qui s'avèrent être défectueuses sous des conditions d'utilisation domestique normales.

Au Canada et aux États-Unis, les pièces de remplacement sont expédiées FOB usine. Dans tous les autres pays, elles sont expédiées FOB le Distributeur OMC (veuillez consulter votre concessionnaire pour le nom du distributeur OMC).

Tous les autres coûts sont la responsabilité du propriétaire.

Cette garantie n'est accordée qu'à l'acheteur original indiqué sur le formulaire d'enregistrement de la garantie, et ne s'applique qu'aux produits vendus au détail et utilisés dans le pays d'achat. (Les différents types d'alimentation en gaz nécessitent de différents régulateurs, valves et orifices).

CE QUI EST COUVERT PAR LA GARANTIE:

Chambre de cuisson avec revêtement résistant à la chaleur	5 ans
Autres pièces et peinture	2 ans

CE QUI N'EST PAS COUVERT PAR LA GARANTIE:

- Toutes défaillances ou difficultés au niveau du fonctionnement causées par un accident, l'abus, une mauvaise utilisation, une modification, une mauvaise application, le vandalisme, une mauvaise installation, l'entretien/le service incorrect, ou un manquement à fournir l'entretien régulier, y compris sans limitations les dommages causés par les insectes dans les brûleurs, tel qu'indiqué dans le guide de l'utilisateur.
- La détérioration ou les dommages causés par les intempéries telles que la grêle, les ouragans, les tremblements de terre ou les tornades, la décoloration suite à l'exposition directe ou indirecte aux produits chimiques.
- Coûts d'expédition ou de transport.
- Coûts d'enlèvement ou de réinstallation.
- Coûts de main d'œuvre pour l'installation et les réparations.
- Coûts des appels de service.
- Responsabilité pour les dommages indirects ou consécutifs.

PIÈCES DE REMPLACEMENT

Les « pièces de remplacement OMC véritables » doivent toujours être utilisées en cas de remplacement. L'installation de différentes pièces annulera automatiquement la garantie ci-dessus.

RÉCLAMATIONS DE GARANTIE

Toutes les réclamations de garantie sont traitées directement par OMC. Les pièces doivent être renvoyées au Service de la garantie d'OMC, les frais d'expédition prépayés, accompagnées du n° de modèle et de série, et si votre gril n'est pas enregistré, de la preuve d'achat (copie du reçu de vente ou de la facture). Dans le cas où l'inspection confirme une défaillance, OMC réparera ou remplacera la pièce en question selon les provisions de la garantie. Sur la réception d'une lettre ou d'une télécopie (non par téléphone) et à sa propre discrétion, OMC peut choisir de ne pas exiger le renvoi des pièces.

À L'EXTÉRIEUR DE L'AMÉRIQUE DU NORD

La garantie ci-dessus est administrée par le distributeur OMC dans votre pays. Veuillez veuillez contacter le détaillant pour savoir le nom de votre distributeur OMC.

Broil King®

MANUAL DEL USUARIO

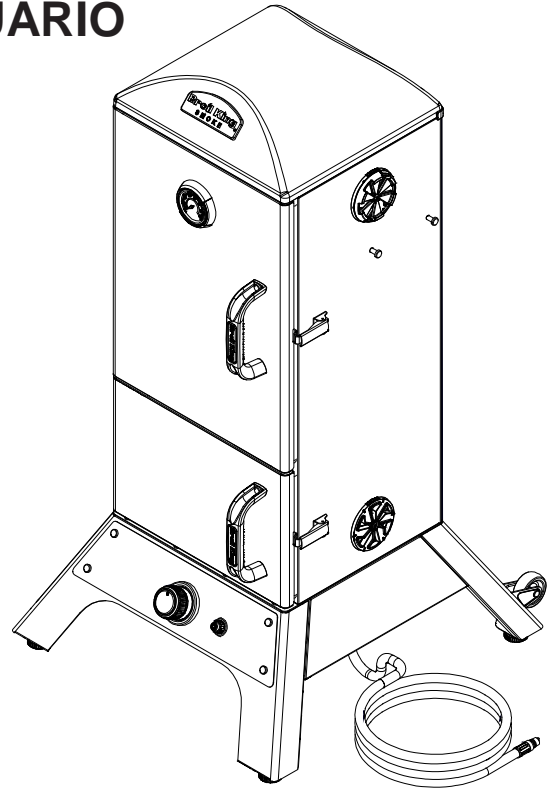
PARA USAR CON GAS NATURAL



ANSI Z21.89 2013 / CSA 1.18-2013

ÍNDICE

SEGURIDAD	26
INSTALACIÓN	27
GAS NATURAL.....	28
TUBO DEL GAS.....	29
PRUEBA DE FUGAS	30
TUBOS VENTURI	30
ENCENDIDO	31
OPERACIÓN	32
RECETAS.....	33
MAINTENIMIENTO	34
DIAGNÓSTICO DE PROBLEMAS	35
GARANTÍA.....	36



INTRODUZCA AQUÍ SU NÚMERO DE MODELO, NÚMERO DE SERIE Y FECHA DE COMPRA.

Esta información puede encontrarse en la etiqueta de advertencia negra y plateada de OMC que se encuentra en la parte posterior o lateral de su parrilla a gas.

Número de modelo					-			
Número de serie					-			
Fecha de Compra		/		/				
		dd		mm			yyyy	

Este manual de instrucciones contiene información importante y necesaria para el armado correcto y el uso seguro de este artefacto. Lea y siga todas las advertencias e instrucciones antes de armar y usar este artefacto. Siga todas las advertencias e instrucciones al usar este artefacto. Guarde este manual para futura referencia.

1-800-265-2150
info@omcbbq.com

Onward
MANUFACTURING COMPANY
 585 KUMPF DRIVE LIMITED
 WATERLOO, ONTARIO, CANADA
 N2V 1K3

SINCE 1906

ES

SEGURIDAD

Su nuevo ahumador a gas Broil King es un artefacto seguro y práctico si se arma y se usa correctamente. Sin embargo, como sucede con todo artefacto que funciona con gas, es necesario respetar ciertas medidas de seguridad al utilizarlo. **No seguir estas medidas de seguridad podría causar heridas o daños graves.** Si tiene alguna pregunta sobre el montaje o la utilización, consulte a su distribuidor, a un especialista en artefactos a gas, a la compañía de gas o llame a nuestro servicio de atención al cliente al 1-800-265-2150. / info@omcbbq.com

PELIGRO

SI SIENTE OLOR A GAS:

- **CORTE EL SUMINISTRO DE GAS DEL ARTEFACTO.**
 - **APAGUE TODAS LAS LLAMAS EXPUESTAS.**
 - **ABRA LA TAPA DEL AHUMADOR.**
 - **SI EL OLOR PERSISTE, MANTÉNGASE A DISTANCIA DEL ARTEFACTO Y LLAME INMEDIATAMENTE A LOS BOMBEROS.**
- EL NO SEGUIR ESTAS INSTRUCCIONES PUEDE CAUSAR UNA EXPLOSIÓN O INCENDIO QUE PODRÍA CAUSAR DAÑOS MATERIALES, HERIDAS GRAVES O LA MUERTE.**

PELIGRO

- **NUNCA DEJE ESTE ARTEFACTO DESATENDIDO MIENTRAS LOS USA.**
- **NUNCA USE ESTE ARTEFACTO A MENOS DE 10 PIES (3 M) DE CUALQUIER ESTRUCTURA, MATERIAL COMBUSTIBLE.**
- **NUNCA USE ESTE ARTEFACTO A MENOS DE 25 PIES (7,5 M) DE CUALQUIER LÍQUIDO INFLAMABLE.**
- **SI SE PRODUCE UN INCENDIO, MANTÉNGASE A DISTANCIA DEL ARTEFACTO Y LLAME INMEDIATAMENTE A LOS BOMBEROS. NO INTENTE APAGAR ACEITE O GRASA EN LLAMAS CON AGUA.**

EL NO SEGUIR ESTAS INSTRUCCIONES PUEDE CAUSAR UNA EXPLOSIÓN, INCENDIO O RIESGO DE QUEMADURAS QUE PODRÍA CAUSAR DAÑOS MATERIALES, HERIDAS GRAVES O LA MUERTE.

CUIDADO

- **SÓLO PARA USO EN EXTERIORES.**
- **ESTE ARTEFACTO NO PUEDE DEJARSE FUNCIONANDO SIN ATENDERLO.**
- **DEBE PONERSE ESPECIAL CUIDADO EN MANTENER A LOS NIÑOS PEQUEÑOS Y A LAS MASCOTAS ALEJADOS DE LAS SUPERFICIES CALIENTES.**
- **NO MUEVA EL ARTEFACTO CUANDO ESTÉ EN USO.**

Tenga cuidado al manejar o transportar este producto. Los bordes de metal pueden ser peligrosos. Utilice los guantes adecuados para levantar o manipular el artefacto. Antes de levantarlo, retire los estantes, rejillas y parrillas.

ELECTRICAL CAUTION

1. Si en combinación con este artefacto utiliza cualquier accesorio que necesite una fuente externa de alimentación de corriente, deberá instalar dicho accesorio con una toma eléctrica a tierra, de acuerdo con los códigos locales. Si no hubiese códigos locales, guíese por las siguientes normas:

(U.S.A.) ANSI/NFPA No. 70- Última edición

y

(Canada) CSA C22.1 Código eléctrico de Canadá

2. No corte ni desconecte la toma a tierra del enchufe.
3. Mantenga el cable de alimentación y la manguera del combustible alejados de toda superficie caliente.

ADVERTENCIA SEGÚN LA LEY 65

Al manipular el bronce que contiene este producto, usted se está exponiendo al plomo, un producto químico que de acuerdo con el Estado de California produce cáncer, defectos de nacimiento y otros daños reproductivos. **LÁVESE LAS MANOS LUEGO DE MANIPULAR ESTE PRODUCTO.**

ADVERTENCIA

El combustible utilizado en artefactos que queman gas o aceite y los productos de dicha combustión contienen productos químicos que de acuerdo con el Estado de California producen cáncer, defectos de nacimiento y otros daños reproductivos. "Esta advertencia se emite de acuerdo con lo establecido por el Código Sanitario y de Seguridad de California, Sección 25249,6

INSTALACIÓN

1. En EE.UU., este artefacto debe instalarse de acuerdo con los códigos locales y con los códigos nacionales pertinentes:

ANSI Z223.1/NFPA 54, Código nacional del gas combustible

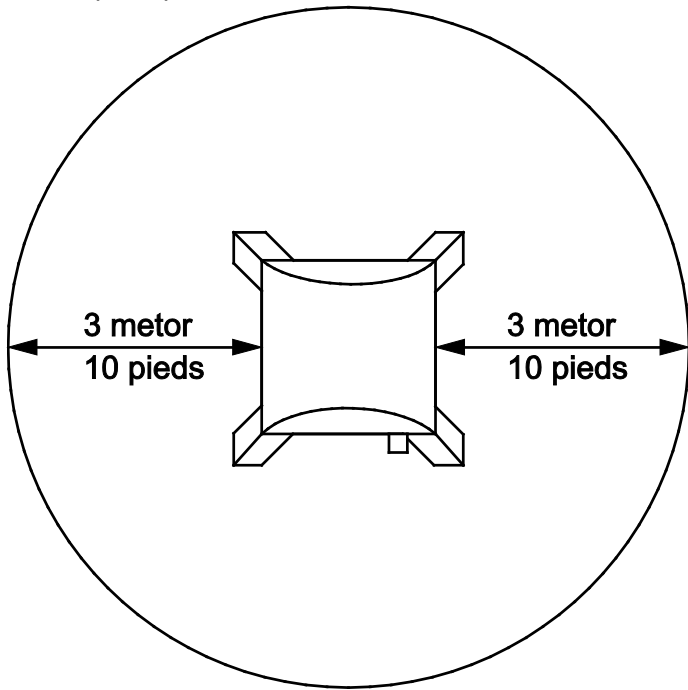
NFPA 58, Normas para el almacenamiento y manejo de gases licuados de petróleo

2. En Canadá, este artefacto debe instalarse de acuerdo con los códigos locales y con las normas CSA pertinentes:

CSA-B149.1 Código de instalación de gas natural y propano

CSA-B149.2 Almacenamiento y manejo de propano

3. El artefacto debe ubicarse lejos de superficies combustibles, alejado de estas como mínimo 76 cm / 30 pulgadas por cada lado, y 76 cm / 30 pulgadas de la parte posterior.



4. No utilice este artefacto dentro de ninguna construcción techada ni debajo de follaje.
5. Este artefacto es para USO EXCLUSIVO EN EXTERIORES, NO lo utilice en garajes, galpones, balcones ni en ningún otro tipo de área cerrada.
6. NO limite el flujo de aire que circula alrededor del artefacto.
7. Mantenga el área que rodea al artefacto libre de materiales combustibles, gasolina, y de cualquier otro líquido o vapor inflamable.
8. Este artefacto no está diseñado para ser instalado en vehículos recreativos ni en embarcaciones.
9. Mantenga la(s) entrada(s) de ventilación del alojamiento del cilindro despejadas y libres de desechos.
10. Mantenga la manguera del combustible alejada de toda superficie caliente.
11. No destinados a uso comercial

GAS NATURAL

1. Esta parrilla ha sido diseñada para ser utilizada con gas natural. No utilice gas propano líquido (cilindro de gas). Las válvulas, los orificios de las válvulas y los tubos son para gas natural únicamente.
2. No utilice esta parrilla con carbón.
3. En el sistema de tubería del suministro de gas se debe utilizar una válvula de cierre.
4. Cuando el artefacto no está en uso, cierre la válvula de cierre para desconectar el suministro del gas natural.
5. El artefacto ha sido diseñado para operar a una presión regulada de 7 pulgadas de columna de agua (W.C.).

ALMACENAMIENTO

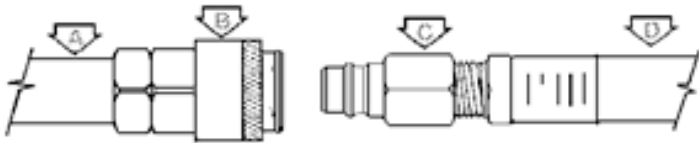
1. Cuando la parrilla no está en uso, el gas se debe apagar en la conexión del suministro de gas natural.
2. Si la parrilla se guarda en un lugar cerrado, el suministro de gas se debe desconectar.

PRUEBA DE SUMINISTRO DE GAS

1. La parrilla a gas para exteriores y su válvula de cierre individual deben desconectarse del sistema de tubería del suministro de gas cuando se realicen pruebas de presión de dicho sistema en presiones de prueba que superen 1/2 psig (3.5 kPa).
2. Se debe cerrar la válvula de cierre individual de la parrilla a gas para exteriores a fin de separarla del sistema de tubería del suministro de gas cuando se realizan pruebas de presión del sistema de tubería del suministro de gas en presiones de prueba iguales o menores que 1/2 psig (3.5 kPa).

TUBO DEL GAS

1. En los modelos que incluyen una manguera de extensión, el ensamblaje de la manguera incluido ha sido específicamente diseñado para dicho modelo de artefacto. No intente modificar ni remplazar ninguna pieza. La manguera y los acoplamientos de la manguera cumplen con la norma canadiense CGA 1.83.
2. En los modelos equipados con el racor de desconexión rápida, cierre la "válvula de cierre" antes de desconectar el acoplamiento.
3. El racor de desconexión rápida se debe mantener limpio y sin suciedad ni basura.
4. Proteja la manguera de la grasa que pueda gotear y no permita que la manguera entre en contacto con superficies calientes.
5. Inspeccione la manguera al menos una vez al año. Si la manguera tiene grietas, cortes, fisuras o abrasiones, el aparato no se debe utilizar.
6. Para cambiar el ensamblaje de la manguera, póngase en contacto con su representante comercial o centro de servicio de reparaciones aprobado.



- A. TUBO DE SUMINISTRO DE GAS
- B. RACOR DE DESCONEXIÓN RÁPIDA
- C. ADAPTADOR
- D. ENSAMBLAJE DE LA MANGUERA DE EXTENSIÓN

PRUEBA DE FUGAS

PRUEBA DE FUGAS

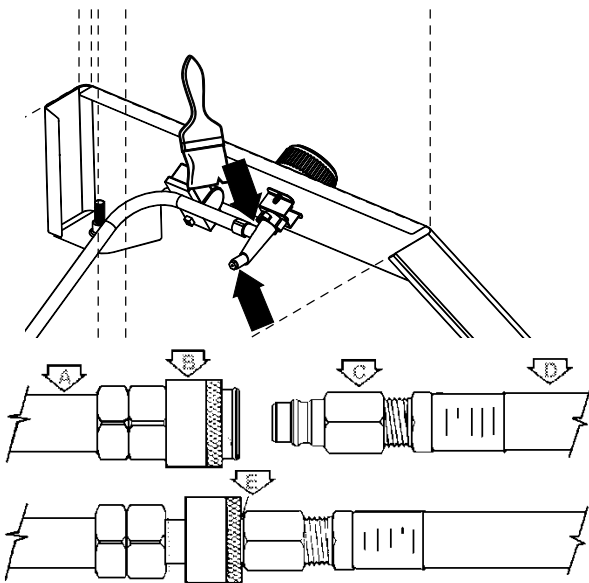
Todas las conexiones de fábrica se prueban rigurosamente para detectar fugas de gas. Sin embargo, durante su transportación y manejo puede aflojarse algún acople.

COMO PRECAUCIÓN DE SEGURIDAD:

- Compruebe todos los acoples para detectar si hay fugas antes de utilizar su ahumador a gas.
- Compruebe si hay alguna fuga cada vez que conecte un acople de gas.
- No fume en ningún momento mientras realiza la comprobación.
- Nunca compruebe si hay una fuga con un fósforo encendido o una llama expuesta.
- Realice las pruebas en el exterior.

PARA COMPROBAR SI HAY FUGAS:

1. Apague cualquier llama expuesta o cigarrillo que haya en el área.
2. Asegúrese de que la válvula de cierre de gas y los controles de cada quemador estén apagados.
3. Prepare una solución jabonosa con una parte de agua y otra parte de detergente líquido.
4. Abra la válvula de cierre de gas.
5. Unte cada conexión con la solución de agua jabonosa.



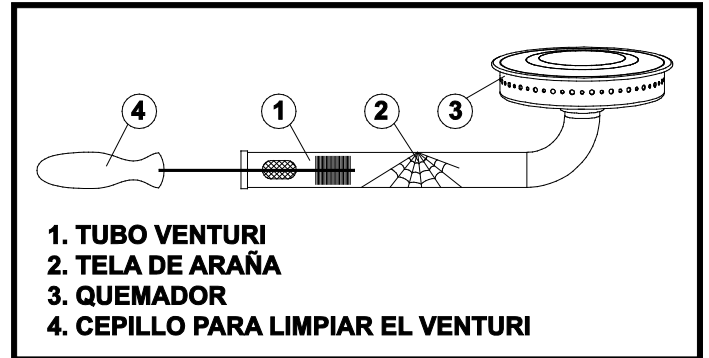
- A. GAS SUPPLY PIPING
- B. QUICK DISCONNECT COUPLING
- C. ADAPTER FITTING
- D. EXTENSION HOSE ASSEMBLY
- E. LEAK TEST HERE

6. Las fugas pueden identificarse mediante la formación de burbujas en el área de la fuga.
7. Si se detecta una fuga, cierre la válvula de cierre del, ajuste la conexión y vuelva a realizar la comprobación.
8. Si la fuga continúa, contacte a su proveedor del ahumador a gas para obtener ayuda. No intente utilizar la parrilla si hay una fuga.

TUBOS VENTURI

TUBOS VENTURI

Siempre mantenga limpios los tubos Venturi. Las obstrucciones en los tubos Venturi provocadas por arañas, insectos y nidos pueden desencadenar retornos de llamas. De hecho, aunque el ahumador a gas pueda encender todavía, el gas retenido puede encenderse y crear llamas alrededor de los tubos Venturi en el panel de control o en el quemador lateral.



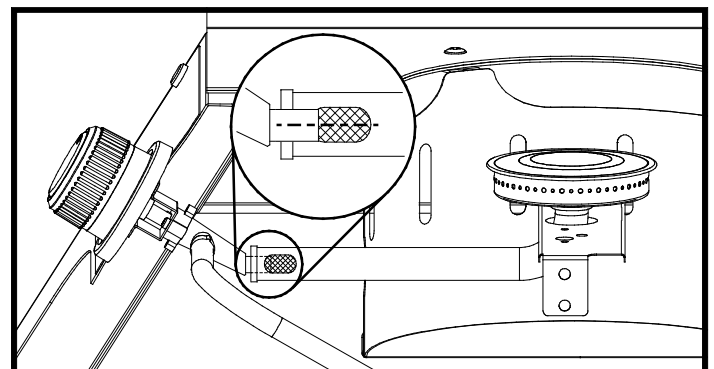
Si se produce un retorno de llamas, corte el suministro de la fuente de gas inmediatamente.

Revise y limpie los tubos Venturi (quemador principal, quemador lateral, quemador posterior) si se presenta cualquiera de las siguientes señales.

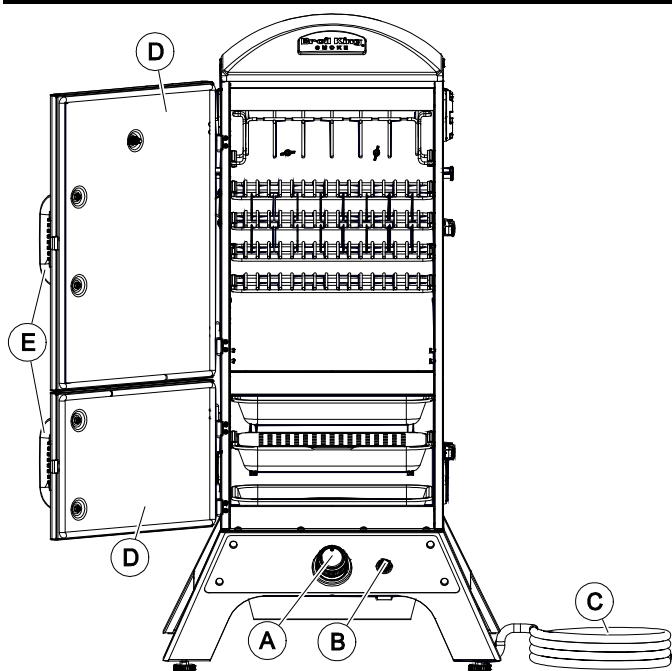
1. Siente olor a gas.
2. Su ahumador a gas no gana temperatura.
3. Su ahumador se calienta de manera irregular.
4. Los quemadores emiten chasquidos.

INSPECCIÓN Y LIMPIEZA DE LOS TUBOS VENTURI

1. Corte el suministro de gas.
2. Cuando el ahumador esté frío, remueva los sujetadores del quemador. Saque los quemadores del armazón del ahumador.
3. Limpie los tubos Venturi con un limpiador de tubos o con una herramienta de limpieza Venturi (Accesorio #77310).
4. Vuelva a bajar el quemador hasta su ubicación en la caja del ahumador a gas, asegurándose de que los tubos Venturi estén correctamente alineados y acoplados en los orificios.
5. Asegure los quemadores con sus sujetadores correspondientes.



ENCENDIDO



- A. CONTROLES DEL QUEMADOR
- B. ENCEDEDOR
- C. TUBO DEL GAS
- D. PUERTA
- E. MANGO

INSTRUCCIONES DE ENCENDIDO

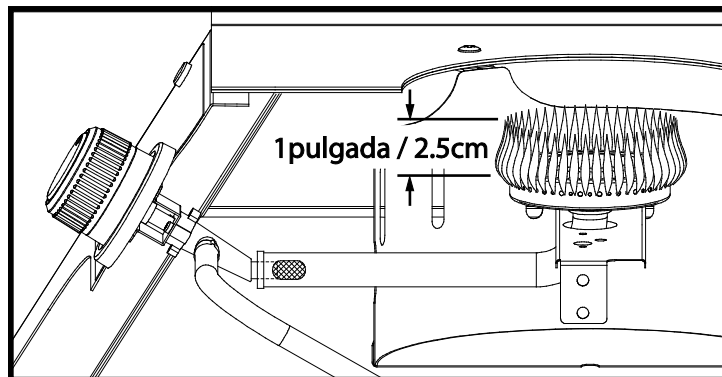
1. El artefacto debe armarse de acuerdo con las instrucciones de montaje.
2. Asegúrese de que no haya fugas de gas en el sistema de suministro de gas. Ver: "Prueba de fugas" (página 30)
3. Asegúrese de que los tubos Venturi estén correctamente colocados sobre el orificio de la válvula de gas. (Ver diagrama de Venturi, página 30)
4. Verifique que el cable de ignición del quemador principal esté conectado.
5. Revise cuidadosamente todas las instrucciones de la placa de información colocada en el ahumador.
6. ADVERTENCIA: Abra siempre la cubierta antes de encenderlo y no se incline sobre el ahumador mientras lo enciende.
7. Lleve las perillas de control hasta "CIERRE" y abra el suministro de gas.

ENCENDIDO DEL QUEMADOR

- a. Levante la cubierta del ahumador y déjela abierta hasta que lo encienda.
- b. Compruebe que se ha instalado la batería en el encendedor electrónico.
- c. Presione y haga girar la perilla de control del quemador hacia "ALTA".
- d. Mantenga presionado el botón del encendedor o utilice un fósforo.
- e. El quemador debe encenderse en unos 5 segundos; si no se enciende en ese período de tiempo, cierre el suministro de la fuente de gas inmediatamente. Para encender el quemador con un fósforo avance hasta el paso f.

- f. Coloque un fósforo en la extensión para fósforos y enciéndalo.
- g. Baje el fósforo hasta el quemador
- h. Presione y haga girar la perilla de control del quemador hacia "ALTA".
- i. El quemador debe encenderse en unos 5 segundos.

CUIDADO - Revise su fumeir a gas luego de encenderla. Todos los puertos de los quemadores deben mostrar una llama de 1 pulgada / 2.5 cm en "ALTA".



Si se presenta cualquiera de los siguientes síntomas, significa que probablemente hay un atasco en los tubos Venturi. Cierre inmediatamente el suministro de gas y limpie los tubos Venturi. Ver "Tubos Venturi" (página 30)

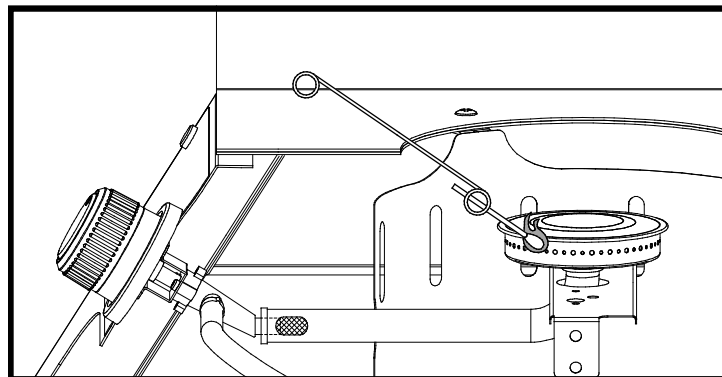
1. Siente olor a gas.
2. Se produce un retorno de llamas.
3. Su ahumador se calienta de manera irregular.
4. El quemador emite chasquidos.

SI EL QUEMADOR NO SE ENCIENDE:

1. Presione y haga girar la perilla de control hacia "CIERRE". Espere 5 minutos y vuelva a intentarlo con la perilla de control en "MEDIO".
2. Si no se enciende el quemador, vea el "Diagnóstico de problemas" en la página 35. Si el problema persiste, no intente utilizar el artefacto; póngase en contacto con OMC, con su proveedor o con un centro de servicios autorizado.

APAGADO:

1. Cierre el suministro de gas.
2. Gire las perillas de control hacia "CIERRE".



Encendido de las quemador con la cadena ligera.

OPERACIÓN

INTRODUCCIÓN

Antes de cocinar en su ahumador a gas por primera vez, remueva las rejillas, bandejas para ahumar y para el agua, y lávelas con agua tibia y jabón. Enjuáguelas bien y séquelas con una toalla suave. No las seque al aire y nunca las ponga en el lavavajillas. Acondicionamiento inicial - Antes de empezar a cocinar en su ahumador vertical a gas Broil King® Smoke^{MR} tiene que quemar los residuos protectores del proceso de fabricación. Encienda su ahumador, como se indica en la página 31: Encendiendo su ahumador, y mantenga el quemador a fuego alto durante 30 minutos como mínimo. Esto eliminará todo el recubrimiento protector del proceso de fabricación y comenzará a ahumar los componentes internos del ahumador. Cuanto más use su ahumador, mejor acondicionado estará.

TÉCNICAS DE AHUMADO

Ahumado - A menos de 275 °F

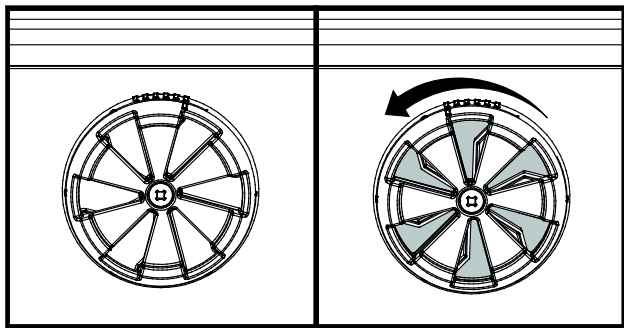
Esta clásica forma de asar utiliza cocción de cortes grandes de carne a bajas temperaturas (menos de 275 °F (135 °C)) durante relativamente mucho tiempo (unas 4 horas). El uso de virutas de madera infunde las carnes cocidas lentos y otras cosas que se cocinan lentamente con sabor a asado ahumado y brinda resultados increíblemente tiernos.

Asado ahumado – 275 °F – 400 °F

También conocido como cocción indirecta, es parecido al ahumado. El asado ahumado es una versión acelerada del mismo principio. Funciona bien con cortes de carne, pollo y otras cosas más convencionales que normalmente se cocinan al horno. La combinación de ahumado y tiempo de cocción crea un gran sabor en menor tiempo que el ahumado verdadero.

CONTROL DE TEMPERATURA

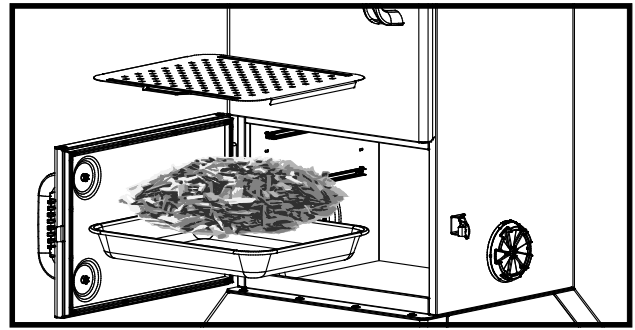
El ahumador vertical a gas Broil King® Smoke^{MR} le permite controlar la temperatura de cocción regulando la perilla de control y la ventilación de salida. Para trabajar con la parrilla utilice manoplas o apósitos calientes para proteger las manos mientras está cocinando o al ajustar las ventilaciones.



TROCITOS DE MADERA

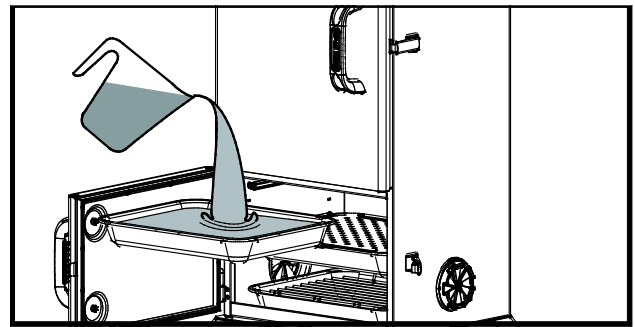
Remoje las astillas de madera durante 30 minutos antes de agregar al fumador. No coloque las virutas de madera en cacerola la grasa. Agregue trocitos de madera una vez que el quemador principal se haya encendido, pero antes de agregar la carne en el ahumador. El sabor ahumado se acumula mejor en artículos fríos que tienen humedad en el exterior. Una vez que se seque el exterior del artículo, no absorberá más sabor ahumado.

Para obtener los mejores resultados, trate de mantener una temperatura de 200 °F a 300 °F para la mayoría de las carnes ahumadas. Cocine siempre hasta la temperatura interna especificada para cada tipo de carne. Esa es la única forma de asegurar que esté bien cocida.



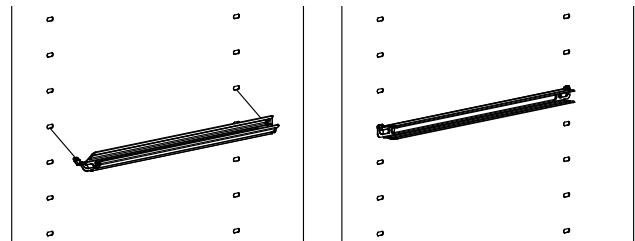
CONTROL DE HUMEDAD

Bandeja para el agua: Su ahumador vertical a carbón viene equipado con una bandeja para agua, para evitar que se seque la comida. Use agua, jugos y otras hierbas y especias para crear otra capa de sabor mientras usa el ahumador.



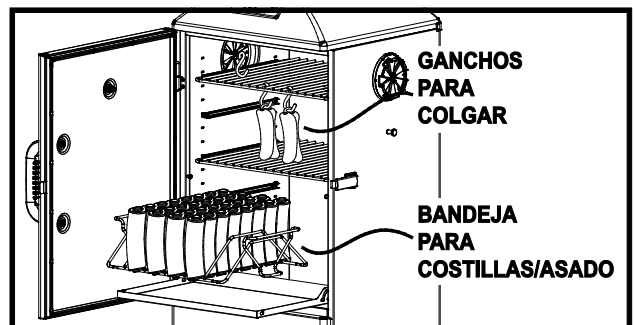
ACCESORIOS DE COCCIÓN

Estantes ajustables: Los rieles que sostienen las rejillas de cocción y las bandejas son completamente ajustables, permitiendo el uso más eficiente de su ahumador.



Bandeja para costillas/asado: Su ahumador incluye una bandeja para costillas/asado que se puede usar en lugar de la rejilla de acero inoxidable. Maximice el espacio de su ahumador manteniendo las costillas juntas entre sí.

Ganchos de acero inoxidable: Deje el estante superior en su lugar y use los 16 ganchos incluidos para colgar salchichas, trozos de pollo, pescados enteros y otros artículos.



RECETAS

COSTILLAS A LA PARRILLA

- 2 cucharadas de azúcar negra
- 1 cucharadita de sal gruesa
- 1 cucharadita de pimienta negra molida
- 1 cucharada de comino
- 2 cucharaditas de mostaza en polvo
- 2 cucharaditas de paprika
- 2 cucharadas de aj molido
- 1 cucharadita de sal de cebolla
- 1 cucharadita de sal de apio
- 1 cucharadita de ajo en polvo
- 1 cucharada de organo

POLLO AHUMADO

- Precaliente el ahumador a 225 F (107 C)
- 1 pollo entero, trozado o pedazos de pollo (muslos, alas, patas) hasta 5 libras
- Friegue los trozos de pollo con salsa BBQ para uso general y dejelos reposar durante 30 minutos
- Agregue una bandeja de agua al ahumador
- Aadir puado de Apple o de otros pedazos de madera a la bandeja del fumador.
- Acomode el pollo en las rejillas de coccin
- Cocnelo durante 2,5 - 4 horas
- La temperatura interna debe alcanzar los 165 F (74 C)
- Tpelo y dejelo reposar por 10 minutos
- Srvalo y disfrtelo

COSTILLAS

- Precaliente el ahumador a 250 F (121 C)
- 4 tiras de costillas de cerdo
- Remueva la membrana de las costillas
- Condimntelas bien con salsa BBQ
- Agregue una bandeja de agua con jugo de manzana en el ahumador
- Aadir puado de Apple o de otros pedazos de madera a la bandeja del fumador.
- Acomode las costillas en la rejilla de coccin o en la bandeja para costillas incluida.
- Cocnelas durante 3-4 horas
- Si lo desea, agregue salsa BBQ en este momento y termine usando su parrilla a gas Broil King a 400 F durante 10 - 20 minutos.
- Squelas del ahumador, tpelas y dejelas reposar por 10 minutos
- Srvalas y disfrtelas

PUERCO DESMENUZADO

- Precaliente el ahumador a 225 F (107 C)
- 4 - 15 libras de paleta de cerdo (los cortes ms pequeos normalmente se llaman Boston Butt o Picnic Shoulder)
- Condimntelo bien con salsa BBQ
- Agregue una bandeja de agua con jugo de manzana en el ahumador y coloque la paleta de cerdo sobre la bandeja
- Aadir puado de Apple o de otros pedazos de madera a la bandeja del fumador.
- Coloque la paleta de cerdo en las rejillas de coccin
- Cocnela durante 4 horas o ms, a una temperatura interna de 185 F (85 C) como mnimo
- Squela del ahumador, envulvala con papel de aluminio y dejela reposar por 30 minutos
- Pquela con la Sper Esptula de Broil King (#64011) o desmencela con las Garras para Carne Broil King (#64070)
- Agrguele salsa al gusto
- Srvala y disfrtela

MANTENIMIENTO

MANTENIMIENTO REGULAR

Los siguientes componentes deben inspeccionarse y limpiarse (según sea necesario) antes de utilizar su ahumador a gas para garantizar un rendimiento, seguridad y eficiencia óptimos.

REJILLAS DE COCCIÓN

Todas las rejillas de cocción de OMC están cubiertas con un acabado duradero para protegerlas y reducir la tendencia de los alimentos a pegarse a ellas. En todas las rejillas de cocción de OMC, en lugar de realizar una quema de su ahumador después de cada uso, le recomendamos dejar los residuos de comida en las parrillas y realizar una quema de residuos (ver a continuación) antes de cada uso; esto ayudará a construir una capa protectora de aceite en las rejillas y ayudará a evitar la corrosión y el deterioro.

ACONDICIONAMIENTO DE LAS REJILLAS

Las rejillas de cocción deben acondicionarse antes de cada uso untándolas o rociándolas con aceite vegetal o de oliva. Asegúrese de que toda la superficie de las rejillas esté cubierta por una capa fina de aceite. Esto ayuda a evitar la corrosión y el deterioro. Si llegan a oxidarse las rejillas, raspe el óxido suavemente con una esponja de limpiar y recúbrelas bien. Durante períodos más extensos de inactividad, las rejillas deben recubrirse, secarse y luego almacenarse en un lugar seco. Antes de utilizar las rejillas por primera vez y después de períodos de almacenamiento, deben lavarse, secarse con toallas de papel y luego recubrirse bien con aceite de oliva o vegetal.

BANDEJA PARA EL AGUA

Deberá vaciar la bandeja para el agua cada vez que termine de cocinar. Espere a que el ahumador se enfríe por completo. Remueva cuidadosamente la bandeja para el agua y deseche el líquido y los residuos. Lave la bandeja con agua y jabón.

CAJA AHUMADORA

Deberá vaciar la caja ahumadora cada vez que termine de cocinar. Espere a que el ahumador se enfríe por completo. Es una buena idea empapar los trocitos de madera con agua para asegurarse de que estén completamente apagados. Remueva cuidadosamente la caja ahumadora y deseche los trocitos de madera usados y los residuos. Lavar la bandeja con jabón.

QUEMA DE RESIDUOS

Primero verifique que la bandeja para el agua y la caja ahumadora se hayan vaciado. Encienda los quemadores según se indica en la sección "Encendido" (página 31). Deje encendido el ahumador a gas en temperatura HIGH con la cubierta cerrada durante 10 minutos, o hasta que deje de salir humo. Cierre el suministro de la fuente de gas y haga girar las perillas de control a la posición de "OFF". Cuando el ahumador se haya enfriado: Limpie el interior según sea necesario raspando los laterales y el fondo de la caja de cocción y aspirándola.

Mantenga siempre su ahumador vertical a gas Broil King® Smoke™ cubierto cuando no lo use. Utilice la cubierta # 67240 de Broil King®.

MANTENIMIENTO ANUAL

Los siguientes componentes deben inspeccionarse y limpiarse al menos una vez al año o después de períodos de almacenamiento de más de 30 días para garantizar un rendimiento, seguridad y eficiencia óptimos.

QUEMADOR

Saque el quemador e inspeccione si presenta rajaduras o deterioro. Limpie los tubos Venturi utilizando un limpiador de tubos o un cepillo Venturi para eliminar cualquier obstrucción. Ver "Tubos Venturi" Cuando saque el quemador, limpie el interior de la caja de cocción raspando los laterales y el fondo y aspirándola.

MANGUERA

Inspecciónela y reemplácela si es necesario.

ACABADO EXTERIOR

Si aparecen puntos blancos de óxido, lave la caja de cocción por fuera con una solución de agua y jabón. Enjuague bien las superficies y luego límpielas utilizando un paño humedecido en aceite de cocina para devolverles el brillo. Para reparar rayones de la pintura, utilice un aerosol de pintura de ALTA temperatura (600°F) de buena calidad para retocarla. La oxidación es un proceso natural y puede presentarse en partes de hierro fundido y acero. El óxido no afectará el rendimiento a corto plazo de su ahumador.

ACERO INOXIDABLE

Lávelo con agua y jabón. Utilice un limpiador de acero inoxidable para pulir y eliminar las manchas o marcas. El desgaste y el calor extremo pueden hacer que la cubierta de acero inoxidable tome un color bronceado. Se trata de una decoloración y no se considera un defecto de fabricación.

COMPONENTES DE RESINA

Lávelos con agua y jabón.

PARTES DE REEMPLAZO

Si detecta un problema en el manguera, quemador o válvula de control, no intente repararlo. Vea a su proveedor, centro de servicios autorizado, o póngase en contacto con la fábrica para reparaciones o reemplazo de partes. Para asegurar un rendimiento óptimo, utilice únicamente partes de repuesto originales de OMC.

PRUEBA DE FUGAS

Cuando conecte gas asegúrese de comprobar si hay fugas. Ver "Prueba de fugas" (página 30)

REJILLAS DE COCCIÓN

Para lavar rejillas de cocción, utilice un detergente suave y agua, y luego enjuague y seque con una toalla de papel; nunca seque las rejillas con aire caliente ni utilice un lavavajillas. En el caso de las rejillas de hierro fundido, acondiciónelas bien (ver a la izquierda: "Rejillas de cocción ") después de lavarlas.

DIAGNÓSTICO DE PROBLEMAS

PROBLEMA	CAUSA POSIBLE	ACCIÓN CORRECTIVA
OLOR A GAS	CIERRE LA VÁLVULA DEL SUMINISTRO DE GAS DE INMEDIATO. NO UTILICE EL ARTEFACTO HASTA QUE NO SE HAYA SELLADO LA FUGA.	
Fuga detectada en alguna de las conexiones.	<ol style="list-style-type: none"> 1. Desconectar el acoplamiento rápidamente que no esté bien asentado. 2. Fuga de gas en la conexión. 3. Fuga de gas en la manguera o válvulas de control. 	<ol style="list-style-type: none"> 1. Quite el acoplamiento y luego vuelva a conectarlo. 2. Ajuste la conexión y realice una "comprobación de fugas". 3. Consulte con un centro de servicio de reparaciones autorizado.
Llamas debajo del panel de control (retorno de llamas).	<ol style="list-style-type: none"> 1. Tubo Venturi obstruido. 	<ol style="list-style-type: none"> 1. Saque el quemador y limpie el tubo Venturi. Ver "Tubos Venturi" (página 30).
El quemador no enciende.	<ol style="list-style-type: none"> 1. La válvula de cierre de gas está cerrada. 2. Problema del encendedor. 3. Tubo Venturi obstruido o desalineado con respecto al orificio de la válvula. 4. Orificio(s) bloqueado(s). 5. La manguera está doblada. 	<ol style="list-style-type: none"> 1. Abra la válvula de cierre de gas. 2. Intente encender el quemador manualmente con un fósforo. Ver "Encendido" (página 31). Si el quemador se enciende correctamente, se trata de un problema del encendedor. Ver "El encendedor no funciona" a continuación. 3. Saque el quemador, limpie el tubo Venturi y vuelva a alinear el tubo Venturi con el orificio de la válvula. Vea la página 30 para obtener ayuda. 4. Saque el quemador, limpie los orificios con un alfiler o con un alambre. No perforo orificios. 5. Enderece la manguera. Manténgala alejada del fondo de la parrilla.
El encendedor no funciona.	<ol style="list-style-type: none"> 1. Se agotó la batería del encendedor. 2. Cable(s) del encendedor desconectado(s). 3. Electrodo desalineado en el quemador. 4. Desperfecto del encendedor. 	<ol style="list-style-type: none"> 1. Reemplace la batería. 2. Asegúrese de que los cables del quemador principal y del quemador lateral estén todos conectados. 3. Vuelva a alinear el electrodo y limpie los restos circundantes del área. 4. Utilice el procedimiento de "Encendido con fósforo" (página 31).
Disminución del calor, "Chasquido".	<ol style="list-style-type: none"> 1. Tubo Venturi obstruido. 	<ol style="list-style-type: none"> 1. Saque el quemador, limpie el tubo Venturi. Ver "Tubos Venturi" (página 30) para obtener ayuda.
Llama amarilla.	<ol style="list-style-type: none"> 1. Es normal que la llama sea un poco amarilla. Si se torna demasiado amarilla, puede que el tubo Venturi esté obstruido. 2. Puertos del quemador bloqueados. 	<ol style="list-style-type: none"> 1. Saque el quemador, limpie el tubo Venturi. Ver "Tubos Venturi" (página 30) para obtener ayuda. 2. Saque el quemador y límpielo con un cepillo de cerdas suaves (por ejemplo, un cepillo de dientes).
El interior de la cubierta parece estar descascarándose.	<ol style="list-style-type: none"> 1. Se trata de una acumulación de grasa. El interior de la cubierta no está pintado y no puede descascararse. 	<ol style="list-style-type: none"> 1. Límpielo con un cepillo de cerdas duras o con una espátula.
Rejillas de cocción oxidadas.	<ol style="list-style-type: none"> 1. Se ha dañado el esmalte de porcelana. 	<ol style="list-style-type: none"> 1. Vea "Mantenimiento" (página 34) para obtener ayuda.
<p>Si no consigue resolver estas u otras dificultades con el diagnóstico de problemas, visite el sitio de Internet www.omcbbq.com para obtener más información incluyendo videos de diagnóstico de problemas, trucos y consejos, o llame a nuestro servicio de atención al cliente: 1-800-265-2150.</p>		

GARANTÍA

GARANTÍA Y SERVICIO AL CLIENTE

La Garantía OMC es válida a partir de la fecha de compra y está limitada a reparaciones o reemplazos de partes sin costo alguno de componentes defectuosos en condiciones normales de uso doméstico.

En Canadá y Estados Unidos, el reemplazo se realiza FOB en la Fábrica.

En todos los demás países, el reemplazo es FOB al distribuidor OMC. (Contacte a su proveedor para conocer el nombre de su distribuidor OMC).

Todos los demás costos son responsabilidad del dueño.

Esta garantía se le otorga únicamente al comprador original como se indica en el registro de garantía y es válida únicamente para productos de venta al por menor y solo cuando tales productos son utilizados exclusivamente en el país donde los compró.

LO QUE ESTÁ CUBIERTO:

Caja de cocción con recubrimiento para alta temperatura	5 años
El resto de las partes y la pintura	2 años

LO QUE NO ESTÁ CUBIERTO:

- Cualquier falla o problema de funcionamiento debido a un accidente, uso indebido o incorrecto, alteración, uso para otros fines, vandalismo, instalación incorrecta o mantenimiento o reparación inadecuados, o el incumplimiento del mantenimiento de rutina, tal como se especifica en el manual del propietario.
- Deterioro o daños debidos a condiciones meteorológicas severas, como granizo, huracanes, terremotos o tornados, decoloración debido a exposición a productos químicos ya sea directamente o en el ambiente.
- Costos de envío o transportación
- Costos de devolución o reinstalación.
- Costo de mano de obra por reinstalación o reparaciones.
- Costo de llamadas de servicios técnicos.
- Responsabilidad por daños indirectos o consiguientes.

Partes de repuesto:

Para los reemplazos, siempre debe utilizar "Partes auténticas de reemplazo de OMC". El uso de cualquier otra parte anulará automáticamente la garantía descrita anteriormente.

Reclamos de garantía

Toda la garantía es manejada directamente por OMC. Las partes deben devolverse al Departamento de Garantía de OMC, previo pago anticipado de los costos de envío, acompañado del Número del modelo, Número de serie, y si su parrilla no está registrada, la constancia de compra (copia del recibo de compra o factura). Si la inspección confirma el defecto, OMC reparará o reemplazará dicha parte de acuerdo con los términos de la garantía. Al recibir la carta o fax (no por teléfono) puede que OMC, a su criterio, no requiera la devolución de la(s) parte(s).

Fuera de América del Norte

La garantía anterior es gestionada por el distribuidor de OMC en su país. Contacte a su proveedor para conocer el nombre de su distribuidor OMC.